

NSPT New Standard Power Transmission

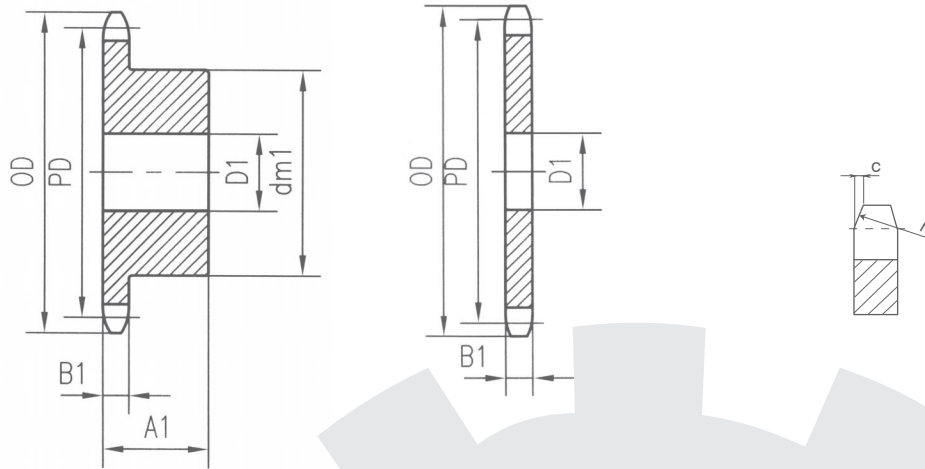
Sprockets - Chain

CHSSB- Customers' Trusted Trademark

NSPT - Sprockets

Symbol of High Quality Products





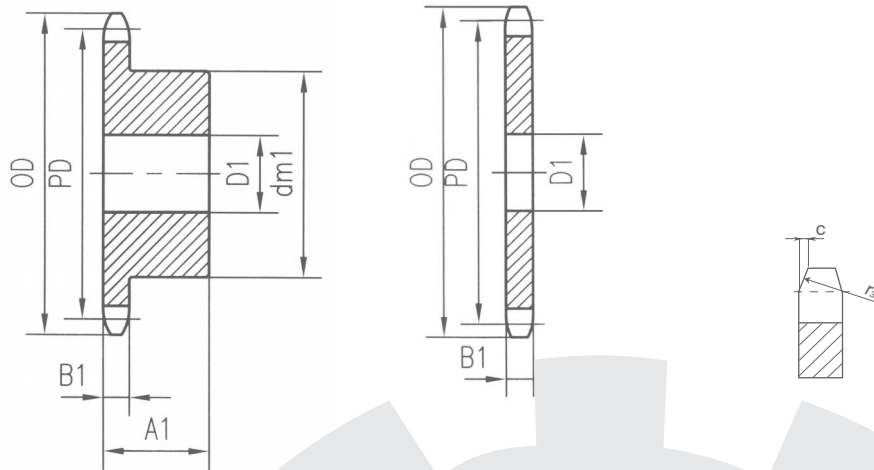
25-1
1/4"X1/8"

| Pinions | | Inches |
|-----------------------|----------------|--------|
| Tooth Radius | r ₃ | 0.268 |
| Radius Width | C | 0.032 |
| Tooth Width | B ₁ | 0.110 |
| ROLLER-Ø0.130" | | |

25 FOR 1/4" PITCH ANSI CHAIN

| SINGLE-TYPE B | | | | | | | | SINGLE-TYPE A | | |
|---------------|-------------|-------|-------|-------|-----------------|----------------|--------|---------------|------------|---------|
| TEETH NO. | CATALOG NO. | OD | BORE | | dm ₁ | A ₁ | WT LBS | CATALOG NO. | STOCK BORE | WT. LBS |
| | | | STOCK | MAX | | | | | | |
| 9 | S25B09 | 0.837 | 1/4 | 1/4 | 7/16 | 1/2 | 0.03 | | | |
| 10 | S25B10 | 0.919 | 1/4 | 1/4 | 1/2 | 1/2 | 0.03 | | | |
| 11 | S25B11 | 1.002 | 1/4 | 5/16 | 9/16 | 1/2 | 0.04 | | | |
| 12 | S25B12 | 1.083 | 1/4 | 3/8 | 5/8 | 1/2 | 0.06 | | | |
| 13 | S25B13 | 1.167 | 1/4 | 7/16 | 23/32 | 1/2 | 0.07 | | | |
| 14 | S25B14 | 1.246 | 1/4 | 9/16 | 13/16 | 1/2 | 0.08 | | | |
| 15 | S25B15 | 1.326 | 1/4 | 9/16 | 57/64 | 1/2 | 0.10 | | | |
| 16 | S25B16 | 1.407 | 1/4 | 9/16 | 31/32 | 1/2 | 0.12 | | | |
| 17 | S25B17 | 1.487 | 1/4 | 5/8 | 11/32 | 1/2 | 0.14 | | | |
| 18 | S25B18 | 1.568 | 1/4 | 3/4 | 11/8 | 1/2 | 0.16 | 25A18 | 1/4 | 0.04 |
| 19 | S25B19 | 1.648 | 1/4 | 13/16 | 17/32 | 1/2 | 0.19 | 25A19 | 1/4 | 0.04 |
| 20 | S25B20 | 1.729 | 1/4 | 7/8 | 19/32 | 5/8 | 0.25 | 25A20 | 1/4 | 0.04 |
| 21 | S25B21 | 1.809 | 1/4 | 7/8 | 13/8 | 5/8 | 0.28 | 25A21 | 3/8 | 0.04 |
| 22 | S25B22 | 1.889 | 1/4 | 15/16 | 17/16 | 5/8 | 0.31 | 25A22 | 3/8 | 0.06 |
| 23 | S25B23 | 1.969 | 1/4 | 1 | 11/2 | 5/8 | 0.32 | 25A23 | 3/8 | 0.06 |
| 24 | S25B24 | 2.049 | 3/8 | 1 | 11/2 | 5/8 | 0.33 | 25A24 | 3/8 | 0.08 |
| 25 | S25B25 | 2.129 | 3/8 | 1 | 11/2 | 5/8 | 0.34 | 25A25 | 3/8 | 0.08 |
| 26 | S25B26 | 2.209 | 3/8 | 1 | 11/2 | 5/8 | 0.35 | 25A26 | 3/8 | 0.09 |
| 28 | S25B28 | 2.369 | 3/8 | 1 | 11/2 | 5/8 | 0.36 | 25A28 | 3/8 | 0.10 |
| 30 | S25B30 | 2.529 | 3/8 | 1 | 11/2 | 5/8 | 0.38 | 25A30 | 3/8 | 0.12 |
| 32 | S25B32 | 2.688 | 3/8 | 1 | 11/2 | 5/8 | 0.40 | 25A32 | 3/8 | 0.14 |
| 35 | S25B35 | 2.928 | 3/8 | 1 | 11/2 | 3/4 | 0.48 | 25A35 | 3/8 | 0.16 |
| 36 | S25B36 | 3.008 | 3/8 | 1 | 11/2 | 3/4 | 0.50 | 25A36 | 3/8 | 0.18 |
| 40 | S25B40 | 3.327 | 1/2 | 13/8 | 2 | 3/4 | 0.53 | 25A40 | 1/2 | 0.20 |
| 42 | S25B42 | 3.487 | 1/2 | 13/8 | 2 | 3/4 | 0.54 | 25A42 | 1/2 | 0.24 |
| 45 | S25B45 | 3.725 | 1/2 | 13/8 | 2 | 3/4 | 0.56 | 25A45 | 1/2 | 0.25 |
| 48 | S25B48 | 3.964 | 1/2 | 13/8 | 2 | 3/4 | 0.56 | 25A48 | 1/2 | 0.32 |
| 54 | S25B54 | 4.442 | 1/2 | 13/8 | 2 | 3/4 | 1.00 | 25A54 | 1/2 | 0.38 |
| 60 | S25B60 | 4.920 | 1/2 | 13/8 | 2 | 3/4 | 1.10 | 25A60 | 1/2 | 0.54 |
| 70 | S25B70 | 5.717 | 1/2 | 13/8 | 2 | 3/4 | 1.25 | 25A70 | 1/2 | 0.71 |
| 72 | S25B72 | 5.876 | 1/2 | 13/8 | 2 | 3/4 | 1.30 | 25A72 | 1/2 | 0.74 |

S standard
B core
Sprockets



35-1

3/8"X3/16"

| Pinions | | Inches |
|-----------------------|----------------|--------|
| Tooth Radius | r ₃ | 0.398 |
| Radius Width | C | 0.047 |
| Tooth Width | B ₁ | 0.168 |
| ROLLER-Ø0.200" | | |

35-1 FOR 3/8" PITCH ANSI CHAIN

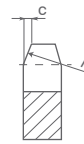
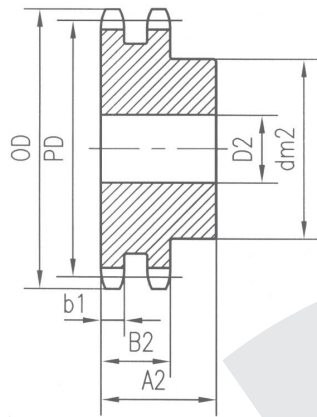
| TEETH NO. | CATALOG NO. | OD | SINGLE-TYPE B | | | | SINGLE-TYPE A | | | |
|-----------|-------------|--------|---------------|-------|--------|-----|---------------|-------------|------------|-------|
| | | | BORE | | dm1 | A1 | WT LBS | CATALOG NO. | STOCK BORE | WT. B |
| | | | STOCK | MAX | | | | | | |
| 8 | S35B8 | 1.130 | 3/8 | 3/8 | 3/4* | 3/4 | 0.07 | | | |
| 9 | S35B9 | 1.260 | 3/8 | 3/8 | 27/32* | 3/4 | 0.09 | | | |
| 10 | S35B10 | 1.380 | 3/8 | 9/16 | 31/32* | 3/4 | 0.14 | | | |
| 11 | S35B11 | 1.500 | 3/8 | 9/16 | 11/16* | 3/4 | 0.17 | | | |
| 12 | S35B12 | 1.630 | 1/2 | 9/16 | 17/32* | 3/4 | 0.20 | | | |
| 13 | S35B13 | 1.750 | 1/2 | 11/16 | 11/4* | 3/4 | 0.23 | | | |
| 14 | S35B14 | 1.870 | 1/2 | 7/8 | 11/4 | 3/4 | 0.25 | | | |
| 15 | S35B15 | 1.990 | 1/2 | 7/8 | 111/32 | 3/4 | 0.29 | 35A15 | 1/2 | 0.10 |
| 16 | S35B16 | 2.110 | 1/2 | 15/16 | 115/32 | 3/4 | 0.35 | 35A16 | 1/2 | 0.12 |
| 17 | S35B17 | 2.230 | 1/2 | 11/16 | 119/32 | 3/4 | 0.42 | 35A17 | 1/2 | 0.12 |
| 18 | S35B18 | 2.350 | 1/2 | 13/16 | 123/32 | 3/4 | 0.48 | 35A18 | 1/2 | 0.14 |
| 19 | S35B19 | 2.470 | 1/2 | 11/4 | 127/32 | 3/4 | 0.54 | 35A19 | 1/2 | 0.16 |
| 20 | S35B20 | 2.590 | 1/2 | 15/16 | 115/16 | 3/4 | 0.59 | 35A20 | 1/2 | 0.20 |
| 21 | S35B21 | 2.710 | 1/2 | 13/8 | 2 | 7/8 | 0.80 | 35A21 | 1/2 | 0.20 |
| 22 | S35B22 | 2.830 | 1/2 | 13/8 | 2 | 7/8 | 0.80 | 35A22 | 1/2 | 0.22 |
| 23 | S35B23 | 2.950 | 1/2 | 13/8 | 2 | 7/8 | 0.82 | 35A23 | 1/2 | 0.24 |
| 24 | S35B24 | 3.070 | 1/2 | 13/8 | 2 | 7/8 | 0.88 | 35A24 | 1/2 | 0.26 |
| 25 | S35B25 | 3.190 | 1/2 | 13/8 | 2 | 7/8 | 0.88 | 35A25 | 1/2 | 0.28 |
| 26 | S35B26 | 3.310 | 1/2 | 13/8 | 2 | 7/8 | 0.90 | 35A26 | 1/2 | 0.28 |
| 27 | S35B27 | 3.430 | 1/2 | 13/8 | 2 | 7/8 | 0.94 | 35A27 | 1/2 | 0.34 |
| 28 | S35B28 | 3.550 | 1/2 | 13/8 | 2 | 7/8 | 0.94 | 35A28 | 1/2 | 0.34 |
| 30 | S35B30 | 3.790 | 1/2 | 13/8 | 2 | 7/8 | 1.02 | 35A30 | 1/2 | 0.46 |
| 32 | S35B32 | 4.030 | 1/2 | 13/8 | 2 | 7/8 | 1.24 | 35A32 | 5/8 | 0.46 |
| 35 | S35B35 | 4.390 | 5/8 | 11/2 | 21/4 | 7/8 | 1.50 | 35A35 | 5/8 | 0.60 |
| 36 | S35B36 | 4.510 | 5/8 | 11/2 | 21/4 | 7/8 | 1.56 | 35A36 | 5/8 | 0.62 |
| 40 | S35B40 | 4.990 | 5/8 | 11/2 | 21/4 | 1 | 1.62 | 35A40 | 19/32 | 0.70 |
| 42 | S35B42 | 5.230 | 5/8 | 11/2 | 21/4 | 1 | 1.68 | 35A42 | 19/32 | 0.78 |
| 45 | S35B45 | 5.590 | 5/8 | 11/2 | 21/4 | 1 | 1.78 | 35A45 | 19/32 | 0.88 |
| 48 | S35B48 | 5.950 | 5/8 | 11/2 | 21/4 | 1 | 1.88 | 35A48 | 19/32 | 1.21 |
| 54 | S35B54 | 6.660 | 5/8 | 11/2 | 21/4 | 1 | 2.20 | 35A54 | 19/32 | 1.32 |
| 60 | S35B60 | 7.380 | 3/4 | 11/2 | 21/4 | 1 | 2.48 | 35A60 | 23/32 | 1.66 |
| 70 | S35B70 | 8.580 | 3/4 | 11/2 | 21/4 | 1 | 3.12 | 35A70 | 23/32 | 2.30 |
| 72 | S35B72 | 8.810 | 3/4 | 11/2 | 21/4 | 1 | 3.42 | 35A72 | 23/32 | 2.56 |
| 80 | S35B80 | 9.770 | 3/4 | 11/2 | 21/4 | 1 | 3.82 | 35A80 | 23/32 | 3.16 |
| 84 | S35B84 | 10.250 | 3/4 | 11/2 | 21/4 | 1 | 4.24 | 35A84 | 23/32 | 3.26 |
| 96 | S35B96 | 11.680 | 3/4 | 11/2 | 21/4 | 1 | 5.16 | 35A96 | 23/32 | 4.64 |
| 112 | S35B112 | 13.590 | 3/4 | 11/2 | 21/4 | 1 | 6.70 | 35A112 | 23/32 | 5.05 |

*

S ^{standard}
B _{ore} **Sprockets**

35-2

3/8"X3/16



| Pinions | | Inches |
|--------------|----------------|--------|
| Tooth Radius | r ₃ | 0.398 |
| Radius Width | C | 0.047 |
| Tooth Width | b ₁ | 0.162 |
| Tooth Width | B ₂ | 0.561 |

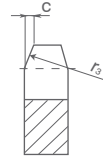
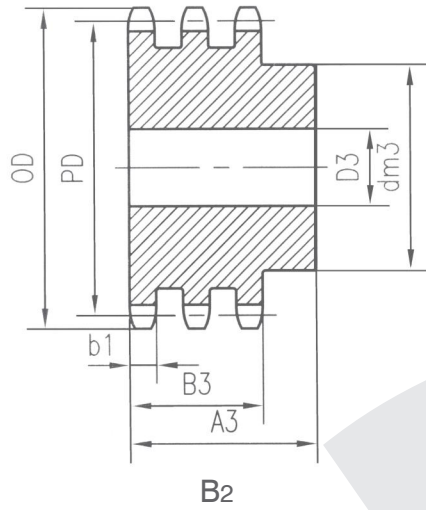
ROLLER-Ø0.200"

35-2 FOR 3/8" PITCH ANSI CHAIN

| TEETH NO. | CATALOG NO. | OD | TYPE | BORE | | HUB | | WT LBS. |
|-----------|-------------|--------|------|-------|--------|--------|-------|---------|
| | | | | STOCK | MAX | dm2 | A2 | |
| 12 | D35B12 | 1.630 | B2 | 1/2 | 9/16 | 63/64 | 1 1/4 | 0.32 |
| 13 | D35B13 | 1.750 | B2 | 1/2 | 11/16 | 17/64 | 1 1/4 | 0.36 |
| 14 | D35B14 | 1.870 | B2 | 1/2 | 7/8 | 1 1/4 | 1 1/4 | 0.44 |
| 15 | D35B15 | 1.990 | B2 | 1/2 | 15/16 | 113/32 | 1 1/4 | 0.56 |
| 16 | D35B16 | 2.110 | B2 | 1/2 | 15/16 | 115/32 | 1 1/4 | 0.64 |
| 17 | D35B17 | 2.230 | B2 | 1/2 | 1 1/16 | 119/32 | 1 1/4 | 0.74 |
| 18 | D35B18 | 2.350 | B2 | 1/2 | 1 3/16 | 123/32 | 1 1/4 | 0.84 |
| 19 | D35B19 | 2.470 | B2 | 1/2 | 1 5/16 | 17/8 | 1 1/4 | 0.96 |
| 20 | D35B20 | 2.590 | B2 | 3/4 | 1 5/16 | 115/16 | 1 3/8 | 1.08 |
| 21 | D35B21 | 2.710 | B2 | 3/4 | 1 3/8 | 21/16 | 1 3/8 | 1.24 |
| 22 | D35B22 | 2.830 | B2 | 3/4 | 1 7/16 | 23/16 | 1 3/8 | 1.42 |
| 23 | D35B23 | 2.950 | B2 | 3/4 | 1 1/2 | 21/4 | 1 3/8 | 1.54 |
| 24 | D35B24 | 3.070 | B2 | 3/4 | 1 1/2 | 21/4 | 1 3/8 | 1.62 |
| 25 | D35B25 | 3.190 | B2 | 3/4 | 1 1/2 | 21/4 | 1 3/8 | 1.66 |
| 26 | D35B26 | 3.310 | B2 | 3/4 | 1 3/4 | 21/2 | 1 3/8 | 1.98 |
| 30 | D35B30 | 3.790 | B2 | 3/4 | 1 3/4 | 21/2 | 1 3/8 | 2.34 |
| 36 | D35B36 | 4.510 | B2 | 3/4 | 1 3/4 | 21/2 | 1 3/8 | 3.00 |
| 42 | D35B42 | 5.230 | B2 | 3/4 | 1 3/4 | 21/2 | 1 3/8 | 3.80 |
| 48 | D35B48 | 5.950 | B2 | 3/4 | 1 3/4 | 21/2 | 1 3/8 | 4.66 |
| 52 | D35B52 | 6.430 | B2 | 3/4 | 1 3/4 | 21/2 | 1 3/8 | 5.40 |
| 60 | D35B60 | 7.380 | B2 | 3/4 | 1 3/4 | 21/2 | 1 3/8 | 6.84 |
| 68 | D35B68 | 8.340 | B2 | 3/4 | 2 3/8 | 3 1/2 | 1 1/2 | 10.01 |
| 72 | D35B72 | 8.810 | B2 | 3/4 | 2 3/8 | 3 1/2 | 1 1/2 | 11.04 |
| 76 | D35B76 | 9.290 | B2 | 3/4 | 2 3/8 | 3 1/2 | 1 1/2 | 11.94 |
| 84 | D35B84 | 10.250 | B2 | 3/4 | 2 3/8 | 3 1/2 | 1 1/2 | 14.98 |
| 95 | D35B95 | 11.560 | B2 | 1 | 2 3/8 | 3 1/2 | 1 1/2 | 17.42 |
| 96 | D35B96 | 11.680 | B2 | 1 | 2 3/8 | 3 1/2 | 1 1/2 | 18.14 |
| 102 | D35B102 | 12.400 | B2 | 1 | 2 3/8 | 3 1/2 | 1 1/2 | 19.92 |

35-3

3/8"X3/16"



| Pinions | | Inches |
|-----------------------|----------------|--------|
| Tooth Radius | r ₃ | 0.398 |
| Radius Width | C | 0.047 |
| Tooth Width | b ₁ | 0.162 |
| Tooth Width | B ₃ | 0.960 |
| ROLLER-Ø0.200" | | |

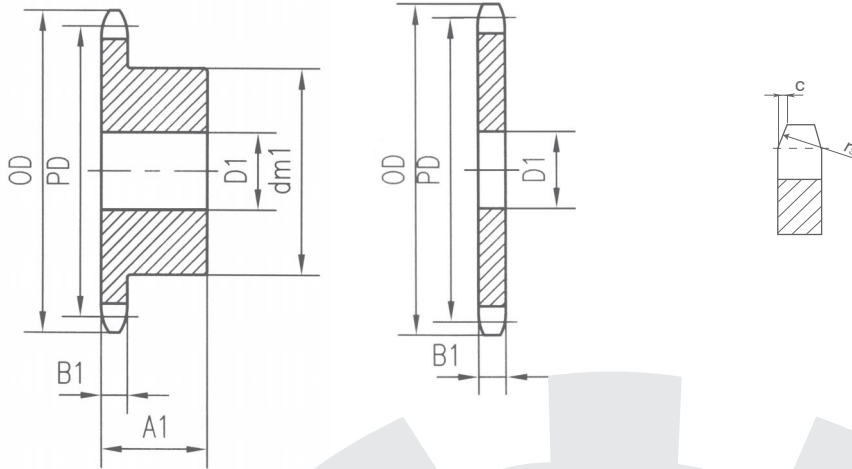
35-3 FOR 3/8" PITCH ANSI CHAIN

| TEETH NO. | CATALOG NO. | OD | TYPE | BORE | | HUB | | WT LBS. |
|-----------|-------------|--------|----------------|-------|-------|-----------------|----------------|---------|
| | | | | STOCK | MAX | dm ₃ | A ₃ | |
| 13 | T35B13 | 1.750 | B ₃ | 1/2 | 11/16 | 17/64 | 13/4 | 0.50 |
| 14 | T35B14 | 1.870 | B ₃ | 1/2 | 7/8 | 11/4 | 13/4 | 0.62 |
| 15 | T35B15 | 1.990 | B ₃ | 1/2 | 15/16 | 113/32 | 13/4 | 0.78 |
| 16 | T35B16 | 2.110 | B ₃ | 1/2 | 15/16 | 115/32 | 13/4 | 0.82 |
| 17 | T35B17 | 2.230 | B ₃ | 1/2 | 11/16 | 119/32 | 13/4 | 1.04 |
| 18 | T35B18 | 2.350 | B ₃ | 1/2 | 13/16 | 123/32 | 13/4 | 1.22 |
| 19 | T35B19 | 2.470 | B ₃ | 1/2 | 15/16 | 17/8 | 13/4 | 1.40 |
| 20 | T35B20 | 2.590 | B ₃ | 3/4 | 15/16 | 115/16 | 17/8 | 1.50 |
| 21 | T35B21 | 2.710 | B ₃ | 3/4 | 13/8 | 21/16 | 17/8 | 1.72 |
| 22 | T35B22 | 2.830 | B ₃ | 3/4 | 17/16 | 23/16 | 17/8 | 1.96 |
| 23 | T35B23 | 2.950 | B ₃ | 3/4 | 11/2 | 21/4 | 17/8 | 2.12 |
| 24 | T35B24 | 3.070 | B ₃ | 3/4 | 11/2 | 21/4 | 17/8 | 2.26 |
| 25 | T35B25 | 3.190 | B ₃ | 3/4 | 11/2 | 21/4 | 17/8 | 2.42 |
| 26 | T35B26 | 3.310 | B ₃ | 3/4 | 11/2 | 21/2 | 17/8 | 2.78 |
| 30 | T35B30 | 3.790 | B ₃ | 3/4 | 13/4 | 21/2 | 17/8 | 3.42 |
| 36 | T35B36 | 4.510 | B ₃ | 3/4 | 13/4 | 21/2 | 17/8 | 4.52 |
| 42 | T35B42 | 5.230 | B ₃ | 3/4 | 13/4 | 21/2 | 17/8 | 5.88 |
| 48 | T35B48 | 5.950 | B ₃ | 3/4 | 13/4 | 21/2 | 17/8 | 7.42 |
| 52 | T35B52 | 6.430 | B ₃ | 3/4 | 13/4 | 21/2 | 17/8 | 8.52 |
| 60 | T35B60 | 7.380 | B ₃ | 3/4 | 13/4 | 21/2 | 17/8 | 11.22 |
| 68 | T35B68 | 8.340 | B ₃ | 3/4 | 23/8 | 31/2 | 17/8 | 15.38 |
| 72 | T35B72 | 8.810 | B ₃ | 3/4 | 23/8 | 31/2 | 17/8 | 17.34 |
| 76 | T35B76 | 9.290 | B ₃ | 3/4 | 23/8 | 31/2 | 17/8 | 18.90 |
| 84 | T35B84 | 10.250 | B ₃ | 3/4 | 23/8 | 31/2 | 17/8 | 22.82 |
| 95 | T35B95 | 11.560 | B ₃ | 1 | 21/2 | 33/4 | 21/8 | 29.32 |
| 96 | T35B96 | 11.680 | B ₃ | 1 | 21/2 | 33/4 | 21/8 | 30.06 |
| 102 | T35B102 | 12.400 | B ₃ | 1 | 21/2 | 33/4 | 21/8 | 33.36 |

S standard
B ore **Sprockets**

41-1

1/2"X1/4"



| Pinions | | Inches |
|-----------------------|----------------|--------|
| Tooth Radius | r ₃ | 0.53 |
| Radius Width | C | 0.063 |
| Tooth Width | B ₁ | 0.227 |
| ROLLER-Ø0.306" | | |

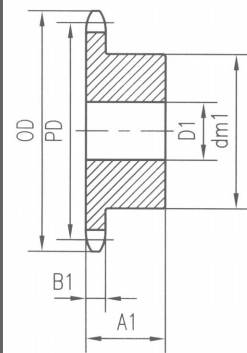
41 FOR 1/2" PITCH ANSI CHAIN

| NO. TEETH | CATALOG NO. | O.D | SINGLE-TYPE B | | | | SINGLE-TYPE A | | | |
|--------------|----------------|--------|---------------|-------|-----------------|----------------|---------------|----------------|---------------|------------|
| | | | BORE | | dm ₁ | A ₁ | WT LBS | CATALOG NO. | STOCK BORE | WT. LES |
| | | | STOCK | MAX | | | | | | |
| 6 | S41B6 | 1.170 | 3/8 | 3/8 | 21/32* | 7/8 | 0.07 | | | |
| 7 | S41B7 | 1.340 | 3/8 | 3/8 | 3/4* | 7/8 | 0.10 | | | |
| 8 | S41B8 | 1.510 | 1/2 | 1/2 | 63/64* | 7/8 | 0.19 | | | |
| 9 | S41B9 | 1.670 | 1/2 | 5/8 | 11/8* | 7/8 | 0.20 | | | |
| 10 | S41B10 | 1.840 | 1/2 | 3/4 | 11/4* | 7/8 | 0.27 | | | |
| 11 | S41B11 | 2.000 | 1/2 | 7/8 | 17/16* | 7/8 | 0.35 | | | |
| 12 | S41B12 | 2.170 | 1/2 | 15/16 | 19/16* | 7/8 | 0.44 | | | |
| 13 | S41B13 | 2.330 | 1/2 | 1 | 19/16 | 7/8 | 0.50 | | | |
| 14 | S41B14 | 2.490 | 1/2 | 11/4 | 13/4 | 7/8 | 0.57 | | | |
| 15 | S41B15 | 2.650 | 1/2 | 15/16 | 129/32 | 7/8 | 0.72 | 41A15 | 5/8 | 0.28 |
| 16 | S41B16 | 2.810 | 5/8 | 13/8 | 21/16 | 7/8 | 0.91 | 41A16 | 5/8 | 0.34 |
| 17 | S41B17 | 2.980 | 5/8 | 11/2 | 215/64 | 1 | 1.09 | 41A17 | 5/8 | 0.36 |
| 18 | S41B18 | 3.140 | 5/8 | 15/8 | 23/8 | 1 | 1.25 | 41A18 | 5/8 | 0.44 |
| 19 | S41B19 | 3.300 | 5/8 | 13/4 | 215/32 | 1 | 1.49 | 41A19 | 5/8 | 0.46 |
| 20 | S41B20 | 3.460 | 5/8 | 17/8 | 23/4 | 1 | 1.64 | 41A20 | 5/8 | 0.52 |
| 21 | S41B21 | 3.620 | 5/8 | 17/8 | 27/8 | 1 | 1.81 | 41A21 | 5/8 | 0.60 |
| 22 | S41B22 | 3.780 | 5/8 | 2 | 3 | 1 | 1.93 | 41A22 | 5/8 | 0.66 |
| 23 | S41B23 | 3.940 | 5/8 | 21/4 | 33/16 | 1 | 2.25 | 41A23 | 5/8 | 0.72 |
| 24 | S41B24 | 4.100 | 5/8 | 21/4 | 31/4 | 1 | 2.33 | 41A24 | 5/8 | 0.82 |
| 25 | S41B25 | 4.260 | 5/8 | 21/4 | 31/4 | 1 | 2.46 | 41A25 | 5/8 | 0.88 |
| 26 | S41B26 | 4.420 | 5/8 | 21/4 | 31/4 | 1 | 2.50 | 41A26 | 5/8 | 0.94 |
| 27 | S41B27 | 4.580 | 5/8 | 21/4 | 31/4 | 1 | 2.56 | 41A27 | 5/8 | 1.00 |
| 28 | S41B28 | 4.740 | 5/8 | 21/4 | 31/4 | 1 | 2.64 | 41A28 | 5/8 | 1.08 |
| 30 | S41B30 | 5.060 | 5/8 | 21/4 | 31/4 | 1 | 2.80 | 41A30 | 5/8 | 1.20 |
| 32 | S41B32 | 5.380 | 5/8 | 21/4 | 31/4 | 1 | 2.96 | 41A32 | 19/32 | 1.44 |
| 35 | S41B35 | 5.860 | 5/8 | 23/8 | 31/4 | 1 | 3.12 | 41A35 | 19/32 | 1.70 |
| 36 | S41B36 | 6.020 | 5/8 | 23/8 | 31/4 | 1 | 3.32 | 41A36 | 19/32 | 1.84 |
| 40 | S41B40 | 6.650 | 3/4 | 23/8 | 31/4 | 11/16 | 4.06 | 41A40 | 23/32 | 2.22 |
| 42 | S41B42 | 6.970 | 3/4 | 23/8 | 31/2 | 11/16 | 4.10 | 41A42 | 23/32 | 2.50 |
| 45 | S41B45 | 7.450 | 3/4 | 23/8 | 31/2 | 11/16 | 4.18 | 41A45 | 23/32 | 2.52 |
| 48 | S41B48 | 7.930 | 3/4 | 23/8 | 31/2 | 11/16 | 4.92 | 41A48 | 23/32 | 2.92 |
| 54 | S41B54 | 8.890 | 3/4 | 23/8 | 31/2 | 11/16 | 5.68 | 41A54 | 23/32 | 3.54 |
| 60 | S41B60 | 9.840 | 3/4 | 23/8 | 31/2 | 11/16 | 6.78 | 41A60 | 23/32 | 4.60 |
| 70 | S41B70 | 11.430 | 3/4 | 23/4 | 4 | 13/16 | 9.54 | 41A70 | 23/32 | 6.22 |
| 72 | S41B72 | 11.750 | 3/4 | 23/4 | 4 | 13/16 | 9.64 | 41A72 | 23/32 | 6.32 |
| 80 | S41B80 | 13.030 | 3/4 | 23/4 | 4 | 13/16 | 11.54 | 41A80 | 23/32 | 8.46 |
| 84 | S41B84 | 13.660 | 3/4 | 23/4 | 4 | 13/16 | 12.20 | 41A84 | 23/32 | 9.12 |
| 96 | S41B96 | 15.570 | 1 | 23/4 | 4 | 13/16 | 14.86 | 41A96 | 15/16 | 11.84 |
| 112 | S41B112 | 18.120 | 1 | 23/4 | 4 | 13/16 | 19.16 | 41A112 | 15/16 | 15.84 |

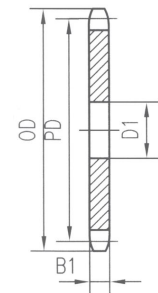
*

40-1 FOR 1/2" PITCH ANSI CHAIN

| SINGLE-TYPE B | | | | | | | | SINGLE-TYPE A | | |
|---------------|-------------|--------|-------|--------|---------|-------|--------|---------------|------------|---------|
| TEETH NO. | CATALOG NO. | OD | BORE | | dm1 | A1 | WT LBS | CATALOG NO. | STOCK BORE | WT. LBS |
| | | | STOCK | MAX | | | | | | |
| 8 | S40B8 | 1.500 | 1/2 | 1/2 | 31/32* | 7/8 | 0.18 | | | |
| 9 | S40B9 | 1.670 | 1/2 | 9/16 | 11/16* | 7/8 | 0.20 | | | |
| 10 | S40B10 | 1.840 | 1/2 | 3/4 | 1 1/4* | 7/8 | 0.27 | | | |
| 11 | S40B11 | 2.000 | 1/2 | 7/8 | 1 3/8* | 7/8 | 0.35 | | | |
| 12 | S40B12 | 2.170 | 1/2 | 1 | 1 9/16* | 7/8 | 0.45 | 40A12 | 1/2 | 0.18 |
| 13 | S40B13 | 2.330 | 1/2 | 1 1/16 | 1 9/16 | 7/8 | 0.50 | 40A13 | 1/2 | 0.22 |
| 14 | S40B14 | 2.490 | 1/2 | 1 1/8 | 1 11/16 | 7/8 | 0.59 | 40A14 | 1/2 | 0.26 |
| 15 | S40B15 | 2.650 | 1/2 | 1 1/4 | 1 13/16 | 7/8 | 0.70 | 40A15 | 5/8 | 0.30 |
| 16 | S40B16 | 2.810 | 5/8 | 1 3/8 | 2 | 7/8 | 0.79 | 40A16 | 5/8 | 0.34 |
| 17 | S40B17 | 2.980 | 5/8 | 1 7/16 | 2 1/8 | 1 | 1.04 | 40A17 | 5/8 | 0.36 |
| 18 | S40B18 | 3.140 | 5/8 | 1 1/2 | 2 5/16 | 1 | 1.22 | 40A18 | 5/8 | 0.44 |
| 19 | S40B19 | 3.300 | 5/8 | 1 3/4 | 2 1/2 | 1 | 1.43 | 40A19 | 5/8 | 0.46 |
| 20 | S40B20 | 3.460 | 5/8 | 1 7/8 | 2 5/8 | 1 | 1.56 | 40A20 | 5/8 | 0.56 |
| 21 | S40B21 | 3.620 | 5/8 | 1 7/8 | 2 3/4 | 1 | 1.73 | 40A21 | 5/8 | 0.58 |
| 22 | S40B22 | 3.780 | 5/8 | 1 7/8 | 2 7/8 | 1 | 1.96 | 40A22 | 5/8 | 0.66 |
| 23 | S40B23 | 3.940 | 5/8 | 2 | 3 | 1 | 2.13 | 40A23 | 5/8 | 0.72 |
| 24 | S40B24 | 4.100 | 5/8 | 2 1/4 | 3 1/4 | 1 | 2.41 | 40A24 | 5/8 | 0.82 |
| 25 | S40B25 | 4.260 | 5/8 | 2 1/4 | 3 1/4 | 1 | 2.54 | 40A25 | 5/8 | 0.88 |
| 26 | S40B26 | 4.420 | 5/8 | 2 1/4 | 3 1/4 | 1 | 2.58 | 40A26 | 5/8 | 0.94 |
| 27 | S40B27 | 4.580 | 5/8 | 2 1/4 | 3 1/4 | 1 | 2.66 | 40A27 | 5/8 | 0.98 |
| 28 | S40B28 | 4.740 | 5/8 | 2 1/4 | 3 1/4 | 1 | 2.73 | 40A28 | 5/8 | 1.10 |
| 29 | S40B29 | 4.900 | 5/8 | 2 1/4 | 3 1/4 | 1 | 2.98 | 40A29 | 19/32 | 1.22 |
| 30 | S40B30 | 5.060 | 5/8 | 2 1/4 | 3 1/4 | 1 | 2.98 | 40A30 | 19/32 | 1.26 |
| 31 | S40B31 | 5.220 | 5/8 | 2 1/4 | 3 1/4 | 1 | 3.16 | 40A31 | 19/32 | 1.40 |
| 32 | S40B32 | 5.380 | 5/8 | 2 1/4 | 3 1/4 | 1 | 3.16 | 40A32 | 19/32 | 1.48 |
| 33 | S40B33 | 5.540 | 5/8 | 2 1/4 | 3 1/4 | 1 | 3.22 | 40A33 | 19/32 | 1.56 |
| 34 | S40B34 | 5.700 | 5/8 | 2 1/4 | 3 1/4 | 1 | 3.30 | 40A34 | 19/32 | 1.64 |
| 35 | S40B35 | 5.860 | 5/8 | 2 1/4 | 3 1/4 | 1 | 3.46 | 40A35 | 19/32 | 1.70 |
| 36 | S40B36 | 6.020 | 5/8 | 2 1/4 | 3 1/4 | 1 | 3.58 | 40A36 | 19/32 | 1.84 |
| 37 | S40B37 | 6.180 | 5/8 | 2 1/4 | 3 1/4 | 1 | 3.58 | 40A37 | 19/32 | 1.92 |
| 38 | S40B38 | 6.330 | 5/8 | 2 1/4 | 3 1/4 | 1 | 3.70 | 40A38 | 19/32 | 2.00 |
| 39 | S40B39 | 6.490 | 5/8 | 2 1/4 | 3 1/4 | 1 | 3.70 | 40A39 | 19/32 | 2.02 |
| 40 | S40B40 | 6.650 | 3/4 | 2 3/8 | 3 1/2 | 1 1/8 | 4.69 | 40A40 | 23/32 | 2.22 |
| 41 | S40B41 | 6.810 | 3/4 | 2 3/8 | 3 1/2 | 1 1/8 | 4.76 | 40A41 | 23/32 | 2.42 |
| 42 | S40B42 | 6.970 | 3/4 | 2 3/8 | 3 1/2 | 1 1/8 | 4.82 | 40A42 | 23/32 | 2.50 |
| 43 | S40B43 | 7.130 | 3/4 | 2 3/8 | 3 1/2 | 1 1/8 | 5.30 | 40A43 | 23/32 | 2.80 |
| 44 | S40B44 | 7.290 | 3/4 | 2 3/8 | 3 1/2 | 1 1/8 | 5.30 | 40A44 | 23/32 | 2.85 |
| 45 | S40B45 | 7.450 | 3/4 | 2 3/8 | 3 1/2 | 1 1/8 | 5.30 | 40A45 | 23/32 | 3.15 |
| 46 | S40B46 | 7.610 | 3/4 | 2 3/8 | 3 1/2 | 1 1/8 | 5.44 | 40A46 | 23/32 | 3.26 |
| 47 | S40B47 | 7.770 | 3/4 | 2 3/8 | 3 1/2 | 1 1/8 | 5.44 | 40A47 | 23/32 | 3.32 |
| 48 | S40B48 | 7.930 | 3/4 | 2 3/8 | 3 1/2 | 1 1/8 | 5.84 | 40A48 | 23/32 | 3.42 |
| 49 | S40B49 | 8.090 | 3/4 | 2 3/8 | 3 1/2 | 1 1/8 | 5.84 | 40A49 | 23/32 | 3.44 |
| 50 | S40B50 | 8.250 | 3/4 | 2 3/8 | 3 1/2 | 1 1/8 | 5.96 | 40A50 | 23/32 | 3.62 |
| 51 | S40B51 | 8.410 | 3/4 | 2 3/8 | 3 1/2 | 1 1/8 | 5.96 | 40A51 | 23/32 | 3.94 |
| 52 | S40B52 | 8.570 | 3/4 | 2 3/8 | 3 1/2 | 1 1/8 | 5.96 | 40A52 | 23/32 | 4.08 |
| 53 | S40B53 | 8.730 | 3/4 | 2 3/8 | 3 1/2 | 1 1/8 | 6.42 | 40A53 | 23/32 | 4.24 |
| 54 | S40B54 | 8.890 | 3/4 | 2 3/8 | 3 1/2 | 1 1/8 | 6.42 | 40A54 | 23/32 | 4.44 |
| 55 | S40B55 | 9.040 | 3/4 | 2 3/8 | 3 1/2 | 1 1/8 | 6.42 | 40A55 | 23/32 | 4.54 |
| 56 | S40B56 | 9.200 | 3/4 | 2 3/8 | 3 1/2 | 1 1/8 | 6.42 | 40A56 | 23/32 | 4.84 |
| 57 | S40B57 | 9.360 | 3/4 | 2 3/8 | 3 1/2 | 1 1/8 | 6.42 | 40A57 | 23/32 | 5.00 |
| 58 | S40B58 | 9.520 | 3/4 | 2 3/8 | 3 1/2 | 1 1/8 | 6.42 | 40A58 | 23/32 | 5.12 |
| 59 | S40B59 | 9.680 | 3/4 | 2 3/8 | 3 1/2 | 1 1/8 | 6.42 | 40A59 | 23/32 | 5.30 |
| 60 | S40B60 | 9.840 | 3/4 | 2 3/8 | 3 1/2 | 1 1/8 | 7.86 | 40S60 | 23/32 | 5.48 |
| 70 | S40B70 | 11.430 | 3/4 | 2 3/4 | 4 | 1 1/4 | 11.00 | 40A70 | 23/32 | 7.24 |
| 72 | S40B72 | 11.750 | 3/4 | 2 3/4 | 4 | 1 1/4 | 11.50 | 40A72 | 23/32 | 7.72 |
| 80 | S40B80 | 13.030 | 3/4 | 2 3/4 | 4 | 1 1/4 | 13.40 | 40A80 | 23/32 | 10.20 |
| 84 | S40B84 | 13.660 | 3/4 | 2 3/4 | 4 | 1 1/4 | 14.04 | 40A84 | 23/32 | 10.37 |
| 96 | S40B96 | 15.570 | 1 | 2 3/4 | 4 | 1 1/4 | 17.56 | 40A96 | 15/16 | 12.15 |
| 112 | S40B112 | 18.120 | 1 | 2 3/4 | 4 | 1 1/4 | 22.56 | 40A112 | 15/16 | 20.00 |



B
B1=0.284"

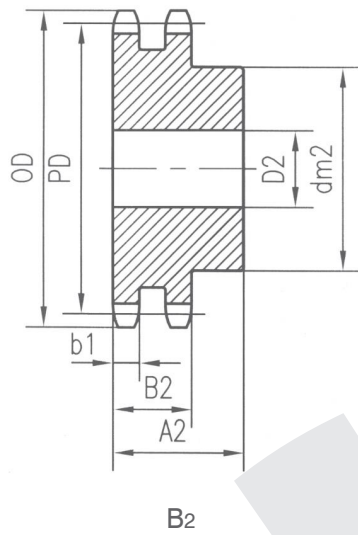


A

S standard
B core
Sprockets

40-2

1/2"X5/16"



| Pinions | | Inches |
|-----------------------|----------------|--------|
| Tooth Radius | r ₃ | 0.530 |
| Radius Width | C | 0.063 |
| Tooth Width | b ₁ | 0.275 |
| Tooth Width | B ₂ | 0.841 |
| ROLLER-Ø0.312" | | |

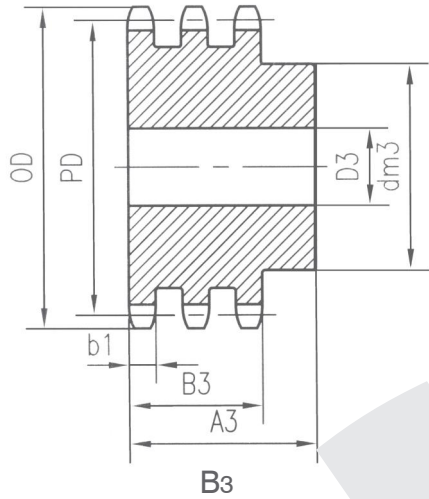
40-2 FOR 1/2" PITCH ANSI CHAIN

| TEETH NO. | CATALOG NO. | OD | TYPE | BORE | | HUB | | WT LBS. |
|-----------|-------------|--------|----------------|--------|--------|-----------------|----------------|---------|
| | | | | STOCK | MAX | dm ₂ | A ₂ | |
| 11 | D40B11 | 2.000 | B ₂ | 1/2 | 3/4 | 17/16* | 1 1/2 | 0.62 |
| 12 | D40B12 | 2.170 | B ₂ | 1/2 | 15/16 | 19/16* | 1 1/2 | 0.76 |
| 13 | D40B13 | 2.330 | B ₂ | 1/2 | 1 | 1 1/2 | 1 1/2 | 0.86 |
| 14 | D40B14 | 2.490 | B ₂ | 1/2 | 1 1/8 | 1 11/16 | 1 1/2 | 1.08 |
| 15 | D40B15 | 2.650 | B ₂ | 1/2 | 1 1/4 | 1 13/16 | 1 1/2 | 1.24 |
| 16 | D40B16 | 2.810 | B ₂ | 5/8 | 1 3/8 | 2 | 1 1/2 | 1.42 |
| 17 | D40B17 | 2.980 | B ₂ | 5/8 | 1 7/16 | 2 1/8 | 1 1/2 | 1.64 |
| 18 | D40B18 | 3.140 | B ₂ | 5/8 | 1 1/2 | 2 5/16 | 1 1/2 | 1.92 |
| 19 | D40B19 | 3.300 | B ₂ | 5/8 | 1 3/4 | 2 1/2 | 1 1/2 | 2.22 |
| 20 | D40B20 | 3.460 | B ₂ | 5/8 | 1 7/8 | 2 5/8 | 1 5/8 | 2.64 |
| 21 | D40B21 | 3.620 | B ₂ | 5/8 | 1 7/8 | 2 3/4 | 1 5/8 | 2.94 |
| 22 | D40B22 | 3.780 | B ₂ | 5/8 | 1 7/8 | 2 7/8 | 1 5/8 | 3.18 |
| 23 | D40B23 | 3.940 | B ₂ | 5/8 | 2 | 3 | 1 5/8 | 3.52 |
| 24 | D40B24 | 4.100 | B ₂ | 5/8 | 2 1/4 | 3 1/4 | 1 5/8 | 4.04 |
| 25 | D40B25 | 4.260 | B ₂ | 5/8 | 2 1/4 | 3 1/4 | 1 5/8 | 4.26 |
| 26 | D40B26 | 4.420 | B ₂ | 5/8 | 2 1/4 | 3 1/4 | 1 5/8 | 4.48 |
| 30 | D40B30 | 5.060 | B ₂ | 7/8 | 2 1/4 | 3 1/4 | 1 5/8 | 5.34 |
| 35 | D40B35 | 5.860 | B ₂ | 7/8 | 2 1/4 | 3 1/4 | 1 5/8 | 6.80 |
| 36 | D40B36 | 6.020 | B ₂ | 15/16 | 2 1/2 | 3 3/4 | 1 5/8 | 7.20 |
| 40 | D40B40 | 6.650 | B ₂ | 15/16 | 2 1/2 | 3 3/4 | 1 3/4 | 9.40 |
| 42 | D40B42 | 6.970 | B ₂ | 15/16 | 2 1/2 | 3 3/4 | 1 3/4 | 10.20 |
| 45 | D40B45 | 7.450 | B ₂ | 15/16 | 2 1/2 | 3 3/4 | 1 3/4 | 11.36 |
| 48 | D40B48 | 7.930 | B ₂ | 15/16 | 2 1/2 | 3 3/4 | 1 3/4 | 12.66 |
| 52 | D40B52 | 8.570 | B ₂ | 15/16 | 2 1/2 | 3 3/4 | 1 3/4 | 14.46 |
| 54 | D40B54 | 8.890 | B ₂ | 15/16 | 2 1/2 | 3 3/4 | 1 3/4 | 15.48 |
| 60 | D40B60 | 9.840 | B ₂ | 15/16 | 2 1/2 | 3 3/4 | 1 3/4 | 18.60 |
| 68 | D40B68 | 11.120 | B ₂ | 1 3/16 | 2 3/4 | 4 1/4 | 2 1/8 | 24.96 |
| 72 | D40B72 | 11.750 | B ₂ | 1 3/16 | 2 3/4 | 4 1/4 | 2 1/8 | 27.88 |
| 76 | D40B76 | 12.390 | B ₂ | 1 3/16 | 2 3/4 | 4 1/4 | 2 1/8 | 30.18 |
| 84 | D40B84 | 13.660 | B ₂ | 1 3/16 | 2 3/4 | 4 1/4 | 2 1/8 | 36.24 |
| 95 | D40B95 | 15.410 | B ₂ | 1 3/16 | 2 3/4 | 4 1/4 | 2 1/8 | 38.84 |
| 96 | D40B96 | 15.570 | B ₂ | 1 3/16 | 2 3/4 | 4 1/4 | 2 1/8 | 39.50 |
| 102 | D40B102 | 16.530 | B ₂ | 1 3/16 | 2 3/4 | 4 1/4 | 2 1/8 | 42.72 |
| 112 | D40B112 | 18.120 | B ₂ | 1 3/16 | 2 3/4 | 4 1/4 | 2 1/8 | 55.54 |

*

40-3

1/2"X5/16"



| Pinions | | Inches |
|--------------|----------------|--------|
| Tooth Radius | r ₃ | 0.530 |
| Radius Width | C | 0.063 |
| Tooth Width | b ₁ | 0.275 |
| Tooth Width | B ₃ | 1.407 |

ROLLER- ϕ 0.312"

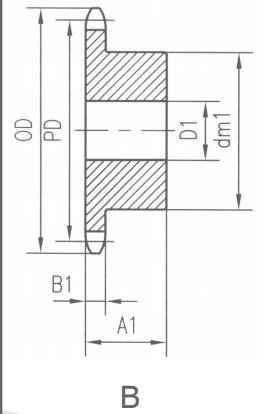
40-3 FOR 1/2" PITCH ANSI CHAIN

| TEETH NO. | CATALOG NO. | OD | TYPE | BORE | | HUB | | WT LBS. |
|-----------|-------------|--------|----------------|--------|--------|-----------------|----------------|---------|
| | | | | STOCK | MAX | dm ₃ | A ₃ | |
| 11 | T40B11 | 2.000 | B ₃ | 1/2 | 3/4 | 17/16* | 21/8 | 0.80 |
| 12 | T40B12 | 2.170 | B ₃ | 1/2 | 15/16 | 19/16* | 21/8 | 1.10 |
| 13 | T40B13 | 2.330 | B ₃ | 1/2 | 1 | 11/2 | 21/8 | 1.24 |
| 14 | T40B14 | 2.490 | B ₃ | 1/2 | 1 1/8 | 1 11/16 | 21/8 | 1.50 |
| 15 | T40B15 | 2.650 | B ₃ | 1/2 | 1 1/4 | 1 13/16 | 21/8 | 1.76 |
| 16 | T40B16 | 2.810 | B ₃ | 5/8 | 1 3/8 | 2 | 21/8 | 2.04 |
| 17 | T40B17 | 2.980 | B ₃ | 5/8 | 1 7/16 | 2 1/8 | 21/8 | 2.34 |
| 18 | T40B18 | 3.140 | B ₃ | 5/8 | 1 1/2 | 2 5/16 | 21/8 | 2.72 |
| 19 | T40B19 | 3.300 | B ₃ | 5/8 | 1 3/4 | 2 1/2 | 21/8 | 3.10 |
| 20 | T40B20 | 3.460 | B ₃ | 5/8 | 1 7/8 | 2 5/8 | 2 1/4 | 3.72 |
| 21 | T40B21 | 3.620 | B ₃ | 5/8 | 1 7/8 | 2 3/4 | 2 1/4 | 4.06 |
| 22 | T40B22 | 3.780 | B ₃ | 5/8 | 1 7/8 | 2 7/8 | 2 1/4 | 4.52 |
| 23 | T40B23 | 3.940 | B ₃ | 5/8 | 2 | 3 | 2 1/4 | 4.96 |
| 24 | T40B24 | 4.100 | B ₃ | 5/8 | 2 1/4 | 3 1/4 | 2 1/4 | 5.64 |
| 25 | T40B25 | 4.260 | B ₃ | 5/8 | 2 1/4 | 3 1/4 | 2 1/4 | 6.02 |
| 26 | T40B26 | 4.420 | B ₃ | 5/8 | 2 1/4 | 3 1/4 | 2 1/4 | 6.36 |
| 30 | T40B30 | 5.060 | B ₃ | 7/8 | 2 1/4 | 3 1/4 | 2 1/4 | 7.84 |
| 35 | T40B35 | 5.860 | B ₃ | 7/8 | 2 1/4 | 3 1/4 | 2 1/4 | 10.30 |
| 36 | T40B36 | 6.020 | B ₃ | 15/16 | 2 1/2 | 3 3/4 | 2 3/8 | 11.72 |
| 42 | T40B42 | 6.970 | B ₃ | 15/16 | 2 1/2 | 3 3/4 | 2 3/8 | 15.36 |
| 48 | T40B48 | 7.930 | B ₃ | 15/16 | 2 1/2 | 3 3/4 | 2 3/8 | 19.36 |
| 52 | T40B52 | 8.570 | B ₃ | 15/16 | 2 1/2 | 3 3/4 | 2 3/8 | 22.44 |
| 60 | T40B60 | 9.840 | B ₃ | 15/16 | 2 1/2 | 3 3/4 | 2 3/8 | 30.02 |
| 68 | T40B68 | 11.120 | B ₃ | 1 3/16 | 2 3/4 | 4 | 2 5/8 | 38.44 |
| 72 | T40B72 | 11.750 | B ₃ | 1 3/16 | 2 3/4 | 4 | 2 5/8 | 42.46 |
| 76 | T40B76 | 12.390 | B ₃ | 1 3/16 | 2 3/4 | 4 | 2 5/8 | 46.90 |
| 84 | T40B84 | 13.660 | B ₃ | 1 3/16 | 2 3/4 | 4 1/4 | 2 3/4 | 57.30 |
| 95 | T40B95 | 15.410 | B ₃ | 1 3/16 | 2 3/4 | 4 1/4 | 2 3/4 | 62.18 |
| 102 | T40B102 | 16.530 | B ₃ | 1 3/16 | 2 3/4 | 4 1/4 | 2 3/4 | 68.40 |

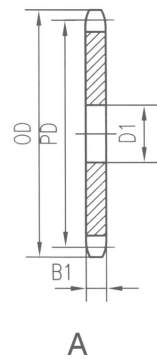
*

50-1 FOR 5/8" PITCH ANSI CHAIN

| TEETH NO. | CATALOG NO. | OD | SINGLE-TYPE B | | | | SINGLE-TYPE A | | | |
|-----------|-------------|--------|---------------|--------|----------|-------|---------------|-------------|------------|----------|
| | | | BORE | | dm1 | A1 | WT LBS. | CATALOG NO. | STOCK BORE | WT. LBS. |
| | | | STOCK | MAX | | | | | | |
| 8 | S50B8 | 1.880 | 5/8 | 5/8 | 1 1/8* | 1 | 0.25 | | | |
| 9 | S50B9 | 2.090 | 5/8 | 3/4 | 1 3/8* | 1 | 0.36 | | | |
| 10 | S50B10 | 2.300 | 5/8 | 7/8 | 1 9/16* | 1 | 0.48 | | | |
| 11 | S50B11 | 2.500 | 5/8 | 1 | 1 3/4* | 1 | 0.64 | | | |
| 12 | S50B12 | 2.710 | 5/8 | 1 1/4 | 1 63/64* | 1 | 0.83 | 50A12 | 5/8 | 0.34 |
| 13 | S50B13 | 2.910 | 5/8 | 1 5/16 | 1 7/8 | 1 | 0.88 | 50A13 | 5/8 | 0.42 |
| 14 | S50B14 | 3.110 | 5/8 | 1 7/16 | 2 1/8 | 1 | 1.13 | 50A14 | 5/8 | 0.50 |
| 15 | S50B15 | 3.320 | 5/8 | 1 1/2 | 2 3/8 | 1 | 1.34 | 50A15 | 5/8 | 0.54 |
| 16 | S50B16 | 3.520 | 5/8 | 1 3/4 | 2 1/2 | 1 | 1.51 | 50A16 | 5/8 | 0.68 |
| 17 | S50B17 | 3.720 | 5/8 | 1 7/8 | 2 11/16 | 1 | 1.74 | 50A17 | 5/8 | 0.76 |
| 18 | S50B18 | 3.920 | 5/8 | 1 7/8 | 2 7/8 | 1 | 2.00 | 50A18 | 5/8 | 0.86 |
| 19 | S50B19 | 4.120 | 5/8 | 2 | 3 | 1 | 2.22 | 50A19 | 5/8 | 0.94 |
| 20 | S50B20 | 4.320 | 3/4 | 2 | 3 | 1 | 2.28 | 50A20 | 3/4 | 1.06 |
| 21 | S50B21 | 4.520 | 3/4 | 2 | 3 | 1 | 2.40 | 50A21 | 3/4 | 1.12 |
| 22 | S50B22 | 4.720 | 3/4 | 2 | 3 | 1 | 2.56 | 50A22 | 3/4 | 1.30 |
| 23 | S50B23 | 4.920 | 3/4 | 2 | 3 | 1 | 2.66 | 50A23 | 3/4 | 1.44 |
| 24 | S50B24 | 5.120 | 3/4 | 2 | 3 | 1 1/4 | 3.30 | 50A24 | 23/32 | 1.50 |
| 25 | S50B25 | 5.320 | 3/4 | 2 | 3 | 1 1/4 | 3.40 | 50A25 | 23/32 | 1.62 |
| 26 | S50B26 | 5.520 | 3/4 | 2 | 3 | 1 1/4 | 3.44 | 50A26 | 23/32 | 1.72 |
| 27 | S50B27 | 5.720 | 3/4 | 2 | 3 | 1 1/4 | 3.74 | 50A27 | 23/32 | 1.96 |
| 28 | S50B28 | 5.920 | 3/4 | 2 | 3 | 1 1/4 | 3.80 | 50A28 | 23/32 | 2.04 |
| 29 | S50B29 | 6.120 | 3/4 | 2 | 3 | 1 1/4 | 4.06 | 50A29 | 23/32 | 2.36 |
| 30 | S50B30 | 6.320 | 3/4 | 2 1/4 | 3 1/4 | 1 1/4 | 4.56 | 50A30 | 23/32 | 2.54 |
| 31 | S50B31 | 6.520 | 3/4 | 2 1/4 | 3 1/4 | 1 1/4 | 4.74 | 50A31 | 23/32 | 2.80 |
| 32 | S50B32 | 6.720 | 3/4 | 2 1/4 | 3 1/4 | 1 1/4 | 4.96 | 50A32 | 23/32 | 2.72 |
| 33 | S50B33 | 6.920 | 3/4 | 2 1/4 | 3 1/4 | 1 1/4 | 5.20 | 50A33 | 23/32 | 3.14 |
| 34 | S50B34 | 7.120 | 3/4 | 2 1/4 | 3 1/4 | 1 1/4 | 5.34 | 50A34 | 23/32 | 3.20 |
| 35 | S50B35 | 7.320 | 3/4 | 2 1/4 | 3 1/4 | 1 1/4 | 5.44 | 50A35 | 23/32 | 3.34 |
| 36 | S50B36 | 7.520 | 3/4 | 2 1/4 | 3 1/4 | 1 1/4 | 5.64 | 50A36 | 23/32 | 3.82 |
| 37 | S50B37 | 7.720 | 3/4 | 2 1/4 | 3 1/4 | 1 1/4 | 5.90 | 50A37 | 23/32 | 3.98 |
| 38 | S50B38 | 7.920 | 3/4 | 2 1/4 | 3 1/4 | 1 1/4 | 6.08 | 50A38 | 23/32 | 4.14 |
| 39 | S50B39 | 8.120 | 3/4 | 2 1/4 | 3 1/4 | 1 1/4 | 6.30 | 50A39 | 23/32 | 4.42 |
| 40 | S50B40 | 8.320 | 3/4 | 2 1/4 | 3 1/4 | 1 1/4 | 6.50 | 50A40 | 23/32 | 4.46 |
| 41 | | 8.520 | | | | | | 50A41 | 23/32 | 4.86 |
| 42 | S50B42 | 8.720 | 3/4 | 2 1/4 | 3 1/4 | 1 1/4 | 6.96 | 50A42 | 23/32 | 4.98 |
| 43 | | 8.910 | | | | | | 50A43 | 23/32 | 5.24 |
| 44 | S50B44 | 9.110 | 3/4 | 2 1/4 | 3 1/4 | 1 1/4 | 7.58 | 50A44 | 23/32 | 5.42 |
| 45 | S50B45 | 9.310 | 3/4 | 2 1/2 | 3 3/4 | 1 1/4 | 8.58 | 50A45 | 23/32 | 5.92 |
| 46 | | 9.510 | | | | | | 50A46 | 15/16 | 6.42 |
| 47 | | 9.710 | | | | | | 50A47 | 15/16 | 6.50 |
| 48 | S50B48 | 9.910 | 1 | 2 1/2 | 3 3/4 | 1 1/4 | 9.28 | 50A48 | 15/16 | 6.58 |
| 49 | | 10.110 | | | | | | 50A49 | 15/16 | 7.06 |
| 50 | S50B50 | 10.310 | 1 | 2 1/2 | 3 3/4 | 1 1/4 | 9.88 | 50A50 | 15/16 | 7.10 |
| 51 | | | | | | | | 50A51 | 15/16 | 7.32 |
| 52 | S50B52 | 10.710 | 1 | 2 1/2 | 3 3/4 | 1 1/4 | 10.24 | 50A52 | 15/16 | 7.98 |
| 53 | | 10.910 | | | | | | 50A53 | 15/16 | 8.08 |
| 54 | S50B54 | 11.110 | 1 | 2 1/2 | 3 3/4 | 1 1/4 | 11.00 | 50A54 | 15/16 | 8.30 |
| 55 | | 11.310 | | | | | | 50A55 | 15/16 | 8.56 |
| 56 | | 11.500 | | | | | | 50A56 | 15/16 | 8.90 |
| 57 | S50B57 | 11.700 | 1 | 2 1/2 | 3 3/4 | 1 1/4 | 12.00 | 50A57 | 15/16 | 9.38 |
| 58 | | 11.900 | | | | | | 50A58 | 15/16 | 10.30 |
| 59 | | 12.100 | | | | | | 50A59 | 15/16 | 10.50 |
| 60 | S50B60 | 12.300 | 1 | 2 1/2 | 3 3/4 | 1 1/4 | 13.00 | 50A60 | 15/16 | 10.80 |
| 70 | S50B70 | 14.290 | 1 | 2 1/2 | 3 3/4 | 1 3/4 | 18.16 | 50A70 | 15/16 | 14.00 |
| 72 | S50B72 | 14.690 | 1 | 2 1/2 | 3 3/4 | 1 3/4 | 19.48 | 50A72 | 15/16 | 15.24 |
| 76 | S50B76 | 15.486 | 1 | 2 1/2 | 3 3/4 | 1 3/4 | 21.00 | 50A76 | 15/16 | 20.08 |
| 80 | S50B80 | 16.280 | 1 | 2 3/4 | 4 1/4 | 1 3/4 | 24.74 | 50A80 | 15/16 | 21.00 |
| 84 | S50B84 | 17.080 | 1 | 2 3/4 | 4 1/4 | 1 3/4 | 25.50 | 50A84 | 15/16 | 22.08 |
| 95 | S50B95 | 19.270 | 1 | 2 3/4 | 4 1/4 | 1 3/4 | 32.00 | 50A95 | 15/16 | 27.00 |
| 96 | S50B96 | 19.470 | 1 | 2 3/4 | 4 1/4 | 1 3/4 | 32.92 | 50A96 | 15/16 | 27.40 |
| 112 | S50B112 | 22.650 | 1 | 2 3/4 | 4 1/4 | 1 3/4 | 42.00 | 50A112 | 15/16 | 37.70 |

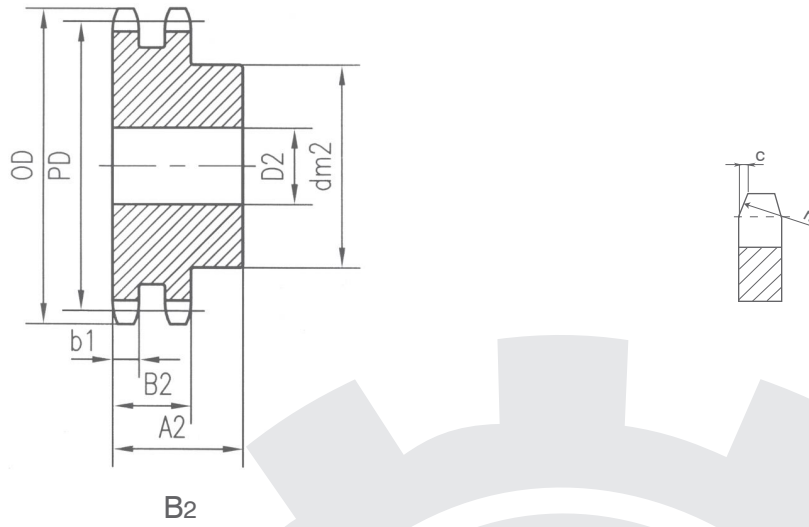


B1=0.343"



50-2

5/8"X3/8"

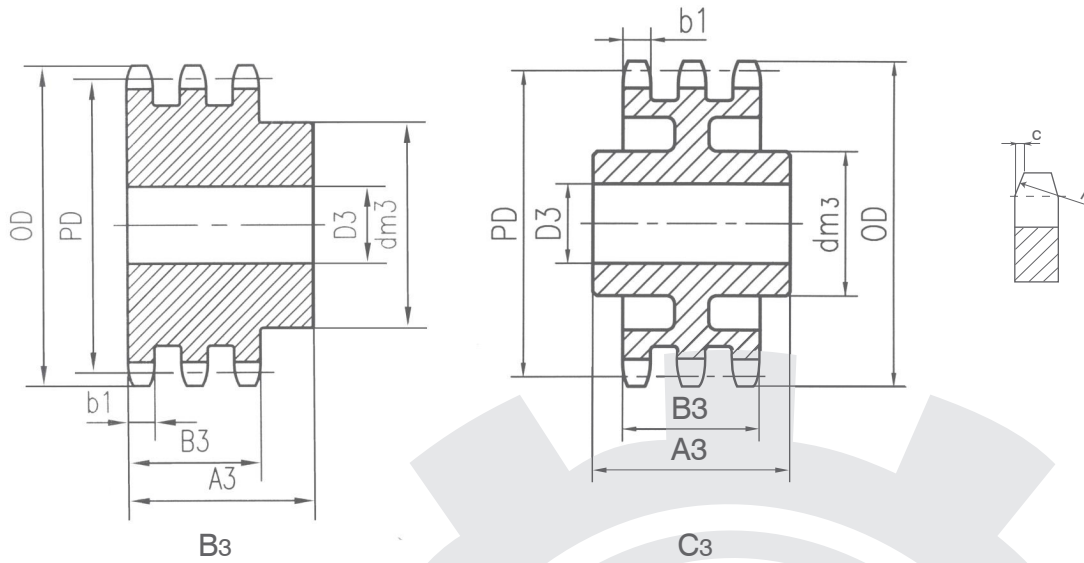


| Pinions | | Inches |
|-----------------------|----------------|--------|
| Tooth Radius | r ₃ | 0.665 |
| Radius Width | C | 0.079 |
| Tooth Width | b ₁ | 0.332 |
| Tooth Width | B ₃ | 1.045 |
| ROLLER-Ø0.400" | | |

50-2 FOR 5/8" PITCH ANSI CHAIN

| TEETH NO. | CATALOG NO. | OD | TYPE | BORE | | HUB | | WT LBS. |
|-----------|-------------|--------|----------------|-------|--------|-----------------|----------------|---------|
| | | | | STOCK | MAX | dm ₂ | A ₂ | |
| 11 | D50B11 | 2.500 | B ₂ | 5/8 | 15/16 | 115/32 | 13/4 | 0.96 |
| 12 | D50B12 | 2.710 | B ₂ | 5/8 | 11/8 | 111/16 | 13/4 | 1.25 |
| 13 | D50B13 | 2.910 | B ₂ | 5/8 | 15/16 | 17/8 | 13/4 | 1.56 |
| 14 | D50B14 | 3.110 | B ₂ | 5/8 | 13/8 | 21/16 | 13/4 | 1.86 |
| 15 | D50B15 | 3.320 | B ₂ | 3/4 | 11/2 | 25/16 | 13/4 | 2.22 |
| 16 | D50B16 | 3.520 | B ₂ | 3/4 | 13/4 | 21/2 | 13/4 | 2.62 |
| 17 | D50B17 | 3.720 | B ₂ | 3/4 | 17/8 | 211/16 | 13/4 | 3.04 |
| 18 | D50B18 | 3.920 | B ₂ | 3/4 | 115/16 | 215/16 | 13/4 | 3.58 |
| 19 | D50B19 | 4.120 | B ₂ | 1 | 21/8 | 31/8 | 13/4 | 3.90 |
| 20 | D50B20 | 4.320 | B ₂ | 1 | 21/4 | 31/4 | 13/4 | 4.26 |
| 21 | D50B21 | 4.520 | B ₂ | 1 | 23/8 | 31/2 | 13/4 | 4.90 |
| 22 | D50B22 | 4.720 | B ₂ | 1 | 23/8 | 39/16 | 17/8 | 5.58 |
| 23 | D50B23 | 4.920 | B ₂ | 1 | 21/2 | 35/8 | 17/8 | 6.10 |
| 24 | D50B24 | 5.120 | B ₂ | 1 | 21/2 | 35/8 | 17/8 | 6.50 |
| 25 | D50B25 | 5.320 | B ₂ | 1 | 21/2 | 35/8 | 17/8 | 6.94 |
| 26 | D50B26 | 5.520 | B ₂ | 1 | 21/2 | 33/4 | 17/8 | 7.54 |
| 30 | D50B30 | 6.320 | B ₂ | 1 | 21/2 | 33/4 | 17/8 | 9.40 |
| 32 | D50B32 | 6.720 | B ₂ | 1 | 21/2 | 33/4 | 17/8 | 10.46 |
| 35 | D50B35 | 7.320 | B ₂ | 1 | 21/2 | 33/4 | 17/8 | 12.28 |
| 36 | D50B36 | 7.520 | B ₂ | 13/16 | 23/4 | 4 | 21/8 | 13.94 |
| 40 | D50B40 | 8.320 | B ₂ | 13/16 | 23/4 | 4 | 21/8 | 16.54 |
| 42 | D50B42 | 8.720 | B ₂ | 13/16 | 23/4 | 4 | 21/8 | 17.92 |
| 45 | D50B45 | 9.310 | B ₂ | 13/16 | 23/4 | 4 | 21/8 | 20.30 |
| 48 | D50B48 | 9.910 | B ₂ | 13/16 | 23/4 | 41/4 | 23/8 | 24.08 |
| 52 | D50B52 | 10.710 | B ₂ | 13/16 | 23/4 | 41/4 | 23/8 | 27.42 |
| 54 | D50B54 | 11.110 | B ₂ | 13/16 | 23/4 | 41/4 | 23/8 | 29.16 |
| 60 | D50B60 | 12.300 | B ₂ | 15/16 | 3 | 41/2 | 23/8 | 35.88 |
| 72 | D50B72 | 14.690 | B ₂ | 15/16 | 3 | 41/2 | 23/8 | 50.22 |

50-3
5/8"X3/8"



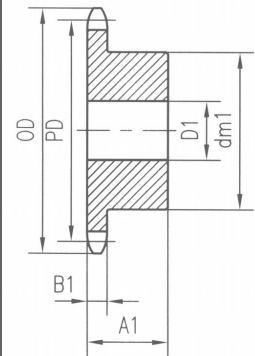
| Pinions | | Inches |
|-----------------------|----------------|--------|
| Tooth Radius | r ₃ | 0.665 |
| Radius Width | C | 0.079 |
| Tooth Width | b ₁ | 0.332 |
| Tooth Width | B ₃ | 1.758 |
| ROLLER-Ø0.400" | | |

50-3 FOR 5/8" PITCH ANSI CHAIN

| TEETH NO. | CATALOG NO. | OD | TYPE | BORE | | HUB | | WT LBS. |
|-----------|-------------|--------|----------------|-------|--------|--------|------|---------|
| | | | | STOCK | MAX | dm3 | LTB | |
| 11 | T50B11 | 2.500 | B ₃ | 5/8 | 15/16 | 115/32 | 21/2 | 1.42 |
| 12 | T50B12 | 2.710 | B ₃ | 5/8 | 11/8 | 111/16 | 21/2 | 1.84 |
| 13 | T50B13 | 2.910 | B ₃ | 5/8 | 15/16 | 17/8 | 21/2 | 2.28 |
| 14 | T50B14 | 3.110 | B ₃ | 5/8 | 13/8 | 21/16 | 21/2 | 2.72 |
| 15 | T50B15 | 3.320 | B ₃ | 3/4 | 11/2 | 25/16 | 21/2 | 3.24 |
| 16 | T50B16 | 3.520 | B ₃ | 3/4 | 13/4 | 21/2 | 21/2 | 3.76 |
| 17 | T50B17 | 3.720 | B ₃ | 3/4 | 17/8 | 211/16 | 21/2 | 4.38 |
| 18 | T50B18 | 3.920 | B ₃ | 3/4 | 115/16 | 215/16 | 21/2 | 5.10 |
| 19 | T50B19 | 4.120 | B ₃ | 1 | 21/8 | 31/8 | 21/2 | 5.60 |
| 20 | T50B20 | 4.320 | B ₃ | 1 | 21/4 | 31/4 | 25/8 | 6.42 |
| 21 | T50B21 | 4.520 | B ₃ | 1 | 23/8 | 31/2 | 25/8 | 7.42 |
| 22 | T50B22 | 4.720 | B ₃ | 1 | 23/8 | 39/16 | 25/8 | 7.92 |
| 23 | T50B23 | 4.920 | B ₃ | 1 | 21/2 | 35/8 | 25/8 | 8.80 |
| 24 | T50B24 | 5.120 | B ₃ | 1 | 21/2 | 35/8 | 25/8 | 9.42 |
| 25 | T50B25 | 5.320 | B ₃ | 1 | 21/2 | 35/8 | 25/8 | 10.16 |
| 26 | T50B26 | 5.520 | B ₃ | 1 | 21/2 | 33/4 | 25/8 | 11.02 |
| 30 | T50B30 | 6.320 | B ₃ | 1 | 21/2 | 33/4 | 25/8 | 14.24 |
| 35 | T50B35 | 7.320 | B ₃ | 1 | 21/2 | 33/4 | 25/8 | 18.96 |
| 36 | T50B36 | 7.520 | B ₃ | 13/16 | 23/4 | 4 | 23/4 | 20.60 |
| 42 | T50B42 | 8.720 | B ₃ | 13/16 | 23/4 | 4 | 23/4 | 27.46 |
| 48 | T50B48 | 9.910 | B ₃ | 13/16 | 23/4 | 4 | 31/8 | 36.64 |
| 52 | T50B52 | 10.710 | B ₃ | 13/16 | 23/4 | 4 | 31/8 | 42.54 |
| 60 | T50B60 | 12.300 | B ₃ | 15/16 | 3 | 41/2 | 31/8 | 56.84 |
| 68 | T50B68 | 13.890 | B ₃ | 15/16 | 3 | 41/2 | 31/8 | 73.21 |
| 72 | T50C72 | 14.690 | C ₃ | 15/16 | 3 | 43/4 | 31/2 | 54.40 |
| 76 | T50C76 | 15.490 | C ₃ | 15/16 | 3 | 43/4 | 31/2 | 51.20 |
| 84 | T50C84 | 17.080 | C ₃ | 15/16 | 3 | 43/4 | 31/2 | 65.32 |
| 95 | T50C95 | 19.270 | C ₃ | 15/16 | 3 | 43/4 | 33/4 | 74.42 |
| 102 | T50C102 | 20.660 | C ₃ | 15/16 | 3 | 43/4 | 33/4 | 79.94 |

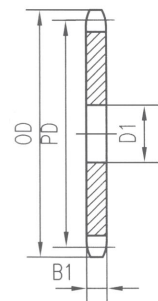
60-1 FOR 3/4" PITCH ANSI CHAIN

| SINGLE-TYPE B | | | | | | | | SINGLE-TYPE A | | |
|---------------|-------------|--------|-------|--------|---------|-------|---------|---------------|------------|----------|
| TEETH NO. | CATALOG NO. | OD | BORE | | dm1 | A1 | WT LBS. | CATALOG NO. | STOCK BORE | WT. LES. |
| | | | STOCK | MAX | | | | | | |
| 8 | S60B8 | 2.260 | 5/8 | 5/8 | 115/32* | 1 1/4 | 0.54 | | | |
| 9 | S60B9 | 2.510 | 3/4 | 7/8 | 19/16* | 1 1/4 | 0.64 | | | |
| 10 | S60B10 | 2.760 | 3/4 | 1 1/8 | 115/16* | 1 1/4 | 0.99 | 60A10 | 3/4 | 0.44 |
| 11 | S60B11 | 3.000 | 3/4 | 1 5/16 | 21/16* | 1 1/4 | 1.16 | 60A11 | 3/4 | 0.54 |
| 12 | S60B12 | 3.250 | 3/4 | 1 3/8 | 23/8* | 1 1/4 | 1.47 | 60A12 | 3/4 | 0.68 |
| 13 | S60B13 | 3.490 | 3/4 | 1 1/2 | 211/32 | 1 1/4 | 1.66 | 60A13 | 3/4 | 0.80 |
| 14 | S60B14 | 3.740 | 3/4 | 1 3/4 | 29/16 | 1 1/4 | 2.00 | 60A14 | 3/4 | 0.94 |
| 15 | S60B15 | 3.980 | 3/4 | 1 7/8 | 27/8 | 1 1/4 | 2.51 | 60A15 | 3/4 | 1.08 |
| 16 | S60B16 | 4.220 | 3/4 | 2 | 31/16 | 1 1/4 | 2.81 | 60A16 | 3/4 | 1.24 |
| 17 | S60B17 | 4.460 | 3/4 | 2 1/4 | 31/4 | 1 1/4 | 3.22 | 60A17 | 3/4 | 1.44 |
| 18 | S60B18 | 4.700 | 3/4 | 2 3/8 | 31/2 | 1 1/4 | 3.72 | 60A18 | 3/4 | 1.62 |
| 19 | S60B19 | 4.950 | 3/4 | 2 3/8 | 31/2 | 1 1/4 | 3.92 | 60A19 | 3/4 | 1.84 |
| 20 | S60B20 | 5.190 | 3/4 | 2 5/8 | 37/8 | 1 1/4 | 4.63 | 60A20 | 3/4 | 2.12 |
| 21 | S60B21 | 5.430 | 3/4 | 2 3/4 | 4 | 1 1/4 | 5.00 | 60A21 | 3/4 | 2.28 |
| 22 | S60B22 | 5.670 | 3/4 | 2 3/4 | 4 | 1 1/4 | 5.25 | 60A22 | 3/4 | 2.48 |
| 23 | S60B23 | 5.910 | 3/4 | 2 3/4 | 4 | 1 1/4 | 5.48 | 60A23 | 3/4 | 2.68 |
| 24 | S60B24 | 6.150 | 3/4 | 2 3/4 | 4 | 1 1/4 | 5.78 | 60A24 | 23/32 | 3.00 |
| 25 | S60B25 | 6.390 | 3/4 | 2 3/4 | 4 | 1 1/4 | 6.13 | 60A25 | 23/32 | 3.34 |
| 26 | S60B26 | 6.630 | 3/4 | 2 3/4 | 4 | 1 1/4 | 6.38 | 60A26 | 23/32 | 3.54 |
| 27 | S60B27 | 6.870 | 3/4 | 2 3/4 | 4 | 1 1/4 | 6.72 | 60A27 | 23/32 | 3.96 |
| 28 | S60B28 | 7.110 | 3/4 | 2 3/4 | 4 | 1 1/4 | 6.88 | 60A28 | 23/32 | 4.14 |
| 29 | S60B29 | 7.350 | 3/4 | 2 3/4 | 4 | 1 1/4 | 7.28 | 60A29 | 23/32 | 4.40 |
| 30 | S60B30 | 7.590 | 3/4 | 2 3/4 | 4 | 1 1/4 | 7.58 | 60A30 | 23/32 | 4.78 |
| 31 | S60B31 | 7.830 | 3/4 | 2 3/4 | 4 | 1 1/4 | 7.72 | 60A31 | 23/32 | 5.24 |
| 32 | S60B32 | 8.070 | 3/4 | 2 3/4 | 4 | 1 1/4 | 8.26 | 60A32 | 23/32 | 5.52 |
| 33 | S60B33 | 8.300 | 1 | 2 3/4 | 4 | 1 1/4 | 8.42 | 60A33 | 15/16 | 5.86 |
| 34 | S60B34 | 8.540 | 1 | 2 3/4 | 4 | 1 1/4 | 8.80 | 60A34 | 15/16 | 6.16 |
| 35 | S60B35 | 8.780 | 1 | 2 3/4 | 4 | 1 1/4 | 9.04 | 60A35 | 15/16 | 6.78 |
| 36 | S60B36 | 9.020 | 1 | 2 3/4 | 4 | 1 1/4 | 9.60 | 60A36 | 15/16 | 6.82 |
| 37 | S60B37 | 9.260 | 1 | 2 3/4 | 4 | 1 1/4 | 10.24 | 60A37 | 15/16 | 7.52 |
| 38 | S60B38 | 9.500 | 1 | 2 3/4 | 4 1/4 | 1 1/4 | 10.84 | 60A38 | 15/16 | 7.84 |
| 39 | S60B39 | 9.740 | 1 | 2 3/4 | 4 1/4 | 1 1/4 | 11.36 | 60A39 | 15/16 | 8.28 |
| 40 | S60B40 | 9.980 | 1 | 2 3/4 | 4 1/4 | 1 1/4 | 11.50 | 60A40 | 15/16 | 8.56 |
| 41 | S60B41 | 10.220 | 1 | 2 3/4 | 4 1/4 | 1 1/4 | 12.14 | 60A41 | 15/16 | 9.10 |
| 42 | S60B42 | 10.460 | 1 | 2 3/4 | 4 1/4 | 1 1/4 | 12.74 | 60A42 | 15/16 | 9.84 |
| 43 | | 10.700 | | | | | | 60A43 | 15/16 | 10.24 |
| 44 | S60B44 | 10.940 | 15/16 | 2 3/4 | 4 1/4 | 1 1/4 | 13.88 | 60A44 | 15/16 | 10.76 |
| 45 | S60B45 | 11.180 | 15/16 | 2 3/4 | 4 1/4 | 1 1/4 | 13.98 | 60A45 | 15/16 | 11.08 |
| 46 | | 11.420 | | | | | | 60A46 | 15/16 | 11.50 |
| 47 | S60B47 | 11.650 | 15/16 | 2 3/4 | 4 1/4 | 1 1/4 | 15.00 | 60A47 | 15/16 | 12.32 |
| 48 | S60B48 | 11.890 | 15/16 | 2 3/4 | 4 1/4 | 1 1/4 | 15.82 | 60A48 | 15/16 | 12.42 |
| 49 | | 12.130 | | | | | | 60A49 | 15/16 | 12.92 |
| 50 | S60B50 | 12.370 | 15/16 | 2 3/4 | 4 1/4 | 1 1/4 | 17.66 | 60A50 | 15/16 | 13.98 |
| 51 | | 12.610 | | | | | | 60A51 | 15/16 | 14.58 |
| 52 | | 12.850 | | | | | | 60A52 | 15/16 | 14.78 |
| 53 | | 13.090 | | | | | | 60A53 | 15/16 | 15.84 |
| 54 | S60B54 | 13.330 | 15/16 | 2 3/4 | 4 1/4 | 1 3/4 | 21.60 | 60A54 | 15/16 | 15.92 |
| 55 | | 13.570 | | | | | | 60A55 | 1 1/4 | 16.96 |
| 56 | S60B56 | 13.810 | 1 1/4 | 2 3/4 | 4 1/4 | 1 3/4 | 21.88 | 60A56 | 1 1/4 | 17.60 |
| 57 | | 14.040 | | | | | | 60A57 | 1 1/4 | 18.62 |
| 58 | | 14.280 | | | | | | 60A58 | 1 1/4 | 19.00 |
| 59 | | 14.520 | | | | | | 60A59 | 1 1/4 | 20.02 |
| 60 | S60B60 | 14.760 | 1 1/4 | 2 3/4 | 4 1/4 | 1 3/4 | 25.22 | 60A60 | 1 1/4 | 23.00 |
| 64 | S60B64 | 15.720 | 1 1/4 | 2 3/4 | 4 1/4 | 1 3/4 | 27.40 | 60A64 | 1 1/4 | 23.24 |
| 65 | S60B65 | 15.960 | 1 1/4 | 2 3/4 | 4 1/4 | 1 3/4 | 28.92 | 60A65 | 1 1/4 | 24.42 |
| 66 | | 16.190 | | | | | | 60A66 | 1 1/4 | 25.54 |
| 68 | S60B68 | 16.670 | 1 1/4 | 2 3/4 | 4 1/4 | 1 3/4 | 30.28 | 60A68 | 1 1/4 | 27.20 |
| 70 | S60B70 | 17.150 | 1 1/4 | 2 3/4 | 4 1/4 | 1 3/4 | 31.98 | 60A70 | 1 1/4 | 28.90 |
| 72 | S60B72 | 17.630 | 1 1/4 | 2 3/4 | 4 1/4 | 2 | 34.18 | 60A72 | 1 1/4 | 32.34 |
| 76 | S60B76 | 18.580 | 1 1/4 | 2 3/4 | 4 1/4 | 2 | 38.06 | 60A76 | 1 1/4 | 45.50 |
| 80 | S60B80 | 19.540 | 1 1/4 | 2 3/4 | 4 1/4 | 2 | 41.88 | 60A80 | 1 1/4 | 46.80 |
| 84 | S60B84 | 20.490 | 1 1/4 | 3 1/4 | 4 3/4 | 2 | 46.46 | 60A84 | 1 1/4 | 48.44 |
| 90 | S60B90 | 21.930 | 1 1/4 | 3 5/16 | 5 | 2 1/4 | 63.20 | 60A90 | 1 1/4 | 52.02 |



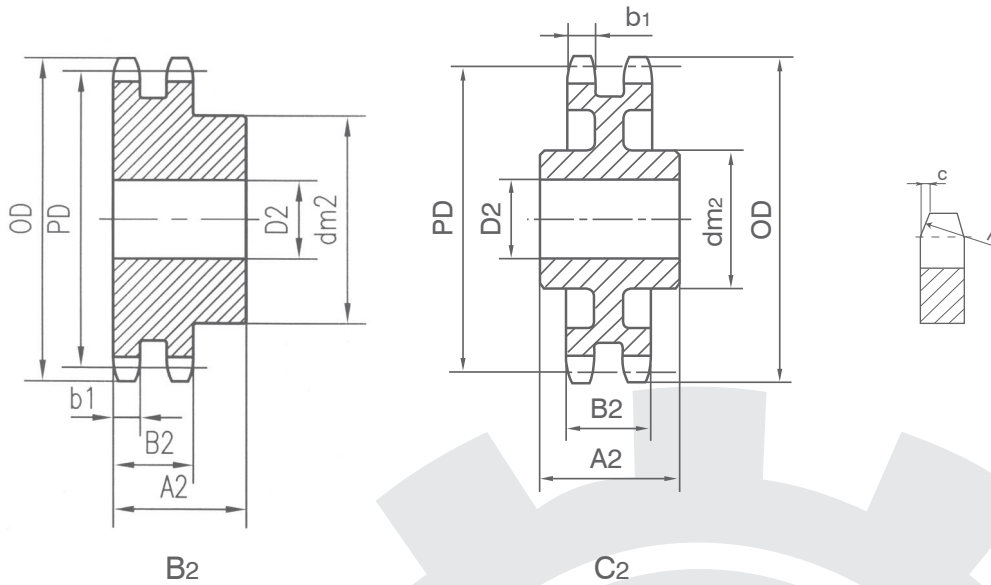
B

B1=0.459"



A

60-2
3/4"X1/2"



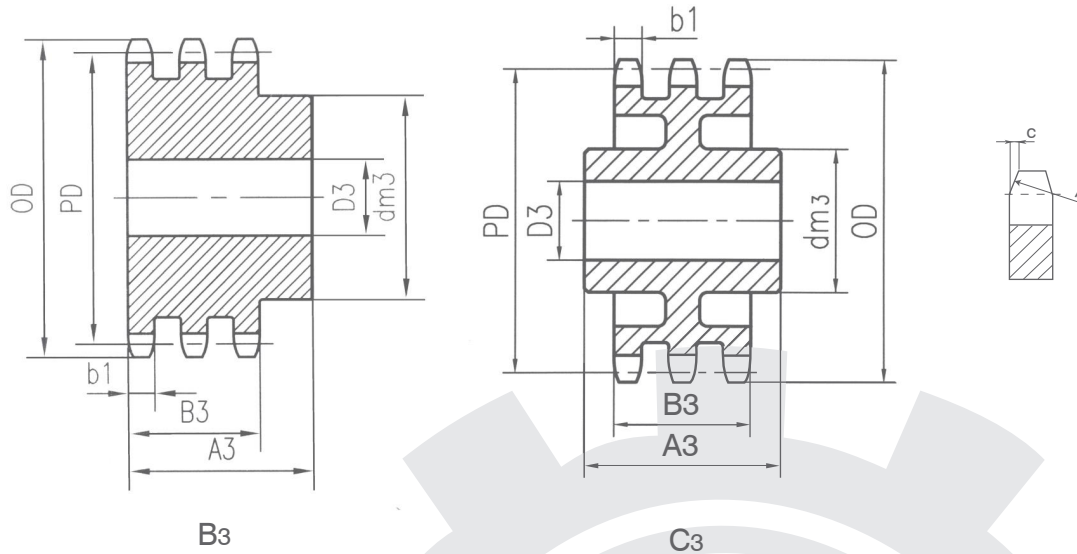
| Pinions | | Inches |
|-----------------------|----------------|--------|
| Tooth Radius | r ₃ | 0.799 |
| Radius Width | C | 0.094 |
| Tooth Width | b ₁ | 0.444 |
| Tooth Width | B ₂ | 1.341 |
| ROLLER-Ø0.459" | | |

60-2 FOR 3/4" PITCH ANSI CHAIN

| TEETH NO. | CATALOG NO. | OD | TYPE | BORE | | HUB | | WT LBS. |
|-----------|-------------|--------|------|-------|--------|---------|-------|---------|
| | | | | STOCK | MAX | dm2 | A2 | |
| 11 | D60B11 | 3.000 | B2 | 1 | 1 1/4 | 1 13/16 | 2 1/8 | 1.62 |
| 12 | D60B12 | 3.250 | B2 | 1 | 1 7/16 | 2 1/8 | 2 1/8 | 2.20 |
| 13 | D60B13 | 3.490 | B2 | 1 | 1 1/2 | 2 1/4 | 2 1/8 | 2.60 |
| 14 | D60B14 | 3.740 | B2 | 1 | 1 3/4 | 2 1/2 | 2 1/8 | 3.24 |
| 15 | D60B15 | 3.980 | B2 | 1 | 1 7/8 | 2 13/16 | 2 1/8 | 3.96 |
| 16 | D60B16 | 4.220 | B2 | 1 | 2 | 3 | 2 1/8 | 4.62 |
| 17 | D60B17 | 4.460 | B2 | 1 | 2 1/4 | 3 1/4 | 2 1/8 | 5.40 |
| 18 | D60B18 | 4.700 | B2 | 1 | 2 3/8 | 3 1/2 | 2 1/8 | 6.24 |
| 19 | D60B19 | 4.950 | B2 | 1 | 2 1/2 | 3 11/16 | 2 1/8 | 7.00 |
| 20 | D60B20 | 5.190 | B2 | 1 | 2 1/2 | 3 3/4 | 2 1/8 | 7.72 |
| 21 | D60B21 | 5.430 | B2 | 1 | 2 3/4 | 4 1/8 | 2 1/8 | 8.82 |
| 22 | D60B22 | 5.670 | B2 | 1 | 2 3/4 | 4 1/4 | 2 1/8 | 9.68 |
| 23 | D60B23 | 5.910 | B2 | 1 | 2 3/4 | 4 1/4 | 2 1/8 | 10.30 |
| 24 | D60B24 | 6.150 | B2 | 1 | 2 3/4 | 4 1/4 | 2 1/8 | 11.14 |
| 25 | D60B25 | 6.390 | B2 | 1 | 2 3/4 | 4 1/4 | 2 1/8 | 11.96 |
| 26 | D60B26 | 6.630 | B2 | 1 | 2 3/4 | 4 1/4 | 2 1/8 | 12.70 |
| 30 | D60B30 | 7.590 | B2 | 1 | 2 3/4 | 4 1/4 | 2 1/8 | 16.36 |
| 32 | D60B32 | 8.070 | B2 | 1 1/4 | 3 | 4 1/2 | 2 3/8 | 19.52 |
| 35 | D60B35 | 8.780 | B2 | 1 1/4 | 3 | 4 1/2 | 2 3/8 | 22.80 |
| 36 | D60B36 | 9.020 | B2 | 1 1/4 | 3 | 4 1/2 | 2 3/8 | 23.82 |
| 40 | D60B40 | 9.980 | B2 | 1 1/4 | 3 1/4 | 4 3/4 | 2 3/4 | 30.84 |
| 42 | D60B42 | 10.460 | B2 | 1 1/4 | 3 1/4 | 4 3/4 | 2 3/4 | 33.08 |
| 45 | D60B45 | 11.180 | B2 | 1 1/4 | 3 1/4 | 4 3/4 | 2 3/4 | 37.08 |
| 52 | D60B52 | 12.850 | B2 | 1 1/4 | 3 1/4 | 4 3/4 | 2 3/4 | 48.70 |
| 60 | D60B60 | 14.760 | B2 | 1 1/4 | 3 1/4 | 4 3/4 | 2 3/4 | 63.10 |
| 68 | D60C68 | 16.670 | C2 | 1 1/4 | 3 5/16 | 5 | 3 | 68.68 |
| 72 | D60C72 | 17.630 | C2 | 1 1/4 | 3 5/16 | 5 | 3 | 78.74 |
| 76 | D60C76 | 18.580 | C2 | 1 1/4 | 3 5/16 | 5 | 3 | 82.28 |
| 95 | D60C95 | 23.120 | C2 | 1 1/4 | 3 3/4 | 5 1/2 | 3 1/2 | 97.14 |

60-3

3/4"X1/2"



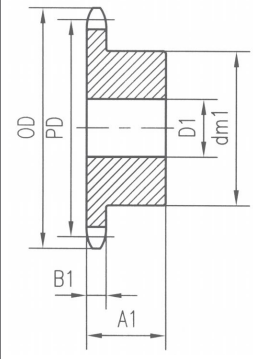
| Pinions | | Inches |
|---------------------------------------|-------|--------|
| Tooth Radius | r_3 | 0.799 |
| Radius Width | C | 0.094 |
| Tooth Width | b_1 | 0.444 |
| Tooth Width | B_3 | 2.238 |
| ROLLER-ϕ0.459" | | |

60-3 FOR 3/4" PITCH ANSI CHAIN

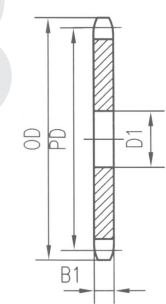
| TEETH NO. | CATALOG NO. | OD | TYPE | BORE | | HUB | | WT LBS. |
|-----------|-------------|--------|----------------|-------|--------|---------|-------|---------|
| | | | | STOCK | MAX | dm_3 | A_3 | |
| 11 | T60B11 | 3.000 | B ₃ | 1 | 1 1/4 | 1 13/16 | 3 | 2.5 |
| 12 | T60B12 | 3.250 | B ₃ | 1 | 1 7/16 | 2 1/8 | 3 | 3.3 |
| 13 | T60B13 | 3.490 | B ₃ | 1 | 1 1/2 | 2 1/4 | 3 | 3.9 |
| 14 | T60B14 | 3.740 | B ₃ | 1 | 1 3/4 | 2 1/2 | 3 | 4.5 |
| 15 | T60B15 | 3.980 | B ₃ | 1 | 1 7/8 | 2 13/16 | 3 | 5.4 |
| 16 | T60B16 | 4.220 | B ₃ | 1 | 2 | 3 | 3 | 6.5 |
| 17 | T60B17 | 4.460 | B ₃ | 1 | 2 1/4 | 3 1/4 | 3 | 7.7 |
| 18 | T60B18 | 4.700 | B ₃ | 1 | 2 3/8 | 3 1/2 | 3 | 8.5 |
| 19 | T60B19 | 4.950 | B ₃ | 1 | 2 1/2 | 3 11/16 | 3 | 10.0 |
| 20 | T60B20 | 5.190 | B ₃ | 1 | 2 1/2 | 3 3/4 | 3 | 11.2 |
| 21 | T60B21 | 5.430 | B ₃ | 1 | 2 3/4 | 4 1/8 | 3 | 12.5 |
| 22 | T60B22 | 5.670 | B ₃ | 1 | 2 3/4 | 4 1/4 | 3 | 13.2 |
| 23 | T60B23 | 5.910 | B ₃ | 1 | 2 3/4 | 4 1/4 | 3 | 14.6 |
| 24 | T60B24 | 6.150 | B ₃ | 1 | 2 3/4 | 4 1/4 | 3 | 15.8 |
| 25 | T60B25 | 6.390 | B ₃ | 1 | 2 3/4 | 4 1/4 | 3 | 17.0 |
| 26 | T60B26 | 6.630 | B ₃ | 1 | 2 3/4 | 4 1/4 | 3 | 18.6 |
| 30 | T60B30 | 7.590 | B ₃ | 1 | 2 3/4 | 4 1/4 | 3 | 23.2 |
| 35 | T60B35 | 8.780 | B ₃ | 1 1/4 | 3 | 4 1/2 | 3 1/4 | 34.5 |
| 36 | T60B36 | 9.020 | B ₃ | 1 1/4 | 3 | 4 1/2 | 3 1/4 | 37.0 |
| 42 | T60B42 | 10.460 | B ₃ | 1 1/4 | 3 1/4 | 4 3/4 | 3 5/8 | 49.0 |
| 45 | T60B45 | 11.180 | B ₃ | 1 1/4 | 3 1/4 | 4 3/4 | 3 5/8 | 57.0 |
| 52 | T60C52 | 12.850 | C ₃ | 1 1/4 | 3 1/4 | 4 3/4 | 3 1/2 | 73.0 |
| 60 | T60C60 | 14.760 | C ₃ | 1 1/4 | 3 1/4 | 4 3/4 | 3 1/2 | 63.0 |
| 68 | T60C68 | 16.670 | C ₃ | 1 1/4 | 3 1/4 | 5 | 3 1/2 | 73.0 |
| 72 | T60C72 | 17.630 | C ₃ | 1 1/4 | 3 1/4 | 5 | 3 1/2 | 85.0 |
| 76 | T60C76 | 18.580 | C ₃ | 1 1/2 | 3 3/4 | 5 1/2 | 3 1/2 | 92.0 |
| 95 | T60C95 | 23.120 | C ₃ | 1 1/2 | 3 3/4 | 5 1/2 | 4 | 105.0 |

80-1 FOR 1/2" PITCH ANSI CHAIN

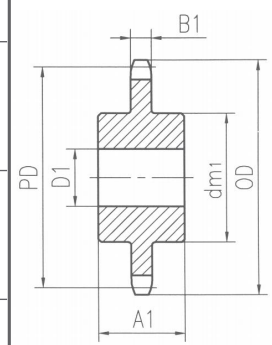
| SINGLE-TYPE B | | | | | | | | SINGLE-TYPE A | | |
|---------------|-------------|--------|-------------------|-------------------|----------------------|------------------|--------|---------------|-------------------|---------|
| TEETH NO. | CATALOG NO. | OD | BORE | | dm1 | A1 | WT LBS | CATALOG NO. | STOCK BORE | WT. LES |
| | | | STOCK | MAX | | | | | | |
| 8 | S80B8 | 3.010 | 1 | 1 | 1 ^{15/16} * | 1 ^{5/8} | 1.4 | | | |
| 9 | S80B9 | 3.350 | 1 | 1 ^{5/16} | 2 ^{1/4} * | 1 ^{5/8} | 1.6 | 80A9 | 1 ^{5/16} | 0.8 |
| 10 | S80B10 | 3.680 | 1 | 1 ^{1/2} | 2 ^{9/16} * | 1 ^{5/8} | 2.2 | 80A10 | 1 ^{5/16} | 1.0 |
| 11 | S80B11 | 4.010 | 1 | 1 ^{5/8} | 2 ^{13/16} * | 1 ^{5/8} | 3.2 | 80A11 | 1 ^{5/16} | 1.3 |
| 12 | S80B12 | 4.330 | 1 | 1 ^{7/8} | 3 ^{1/8} * | 1 ^{5/8} | 3.4 | 80A12 | 1 ^{5/16} | 1.5 |
| 13 | S80B13 | 4.660 | 1 | 2 | 3 | 1 ^{1/2} | 3.5 | 80A13 | 1 ^{5/16} | 1.8 |
| 14 | S80B14 | 4.980 | 1 | 2 ^{1/4} | 3 ^{1/4} | 1 ^{1/2} | 4.1 | 80A14 | 1 ^{5/16} | 2.2 |
| 15 | S80B15 | 5.300 | 1 | 2 ^{1/2} | 3 ^{13/16} | 1 ^{1/2} | 5.3 | 80A15 | 1 ^{5/16} | 2.5 |
| 16 | S80B16 | 5.630 | 1 | 2 ^{3/4} | 4 | 1 ^{1/2} | 5.9 | 80A16 | 1 ^{5/16} | 2.9 |
| 17 | S80B17 | 5.950 | 1 | 2 ^{3/4} | 4 | 1 ^{1/2} | 6.6 | 80A17 | 1 ^{5/16} | 3.3 |
| 18 | S80B18 | 6.270 | 1 | 2 ^{3/4} | 4 ^{1/4} | 1 ^{1/2} | 7.3 | 80A18 | 1 ^{5/16} | 3.7 |
| 19 | S80B19 | 6.590 | 1 | 2 ^{3/4} | 4 ^{1/4} | 1 ^{1/2} | 7.8 | 80A19 | 1 ^{5/16} | 4.1 |
| 20 | S80B20 | 6.910 | 1 | 2 ^{3/4} | 4 ^{1/4} | 1 ^{1/2} | 8.4 | 80A20 | 1 ^{5/16} | 4.7 |
| 21 | S80B21 | 7.240 | 1 | 2 ^{3/4} | 4 ^{1/4} | 1 ^{3/4} | 9.4 | 80A21 | 1 ^{5/16} | 4.9 |
| 22 | S80B22 | 7.560 | 1 | 2 ^{3/4} | 4 ^{1/4} | 1 ^{3/4} | 10.0 | 80A22 | 1 ^{5/16} | 5.5 |
| 23 | S80B23 | 7.880 | 1 | 2 ^{3/4} | 4 ^{1/4} | 1 ^{3/4} | 10.7 | 80A23 | 1 ^{5/16} | 6.3 |
| 24 | S80B24 | 8.200 | 1 | 2 ^{3/4} | 4 ^{1/4} | 1 ^{3/4} | 11.3 | 80A24 | 1 ^{5/16} | 6.7 |
| 25 | S80B25 | 8.520 | 1 | 2 ^{3/4} | 4 ^{1/4} | 1 ^{3/4} | 11.9 | 80A25 | 1 ^{5/16} | 7.2 |
| 26 | S80B26 | 8.840 | 1 ^{1/4} | 3 ^{1/4} | 4 ^{3/4} | 2 | 14.3 | 80A26 | 1 ^{3/16} | 7.8 |
| 27 | S80B27 | 9.160 | 1 ^{1/4} | 3 ^{1/4} | 4 ^{3/4} | 2 | 15.4 | 80A27 | 1 ^{3/16} | 8.6 |
| 28 | S80B28 | 9.480 | 1 ^{1/4} | 3 ^{1/4} | 4 ^{3/4} | 2 | 16.0 | 80A28 | 1 ^{3/16} | 9.3 |
| 29 | S80B29 | 9.800 | 1 ^{3/16} | 3 ^{1/4} | 4 ^{3/4} | 2 | 17.1 | 80A29 | 1 ^{3/16} | 9.8 |
| 30 | S80B30 | 10.110 | 1 ^{3/16} | 3 ^{1/4} | 4 ^{3/4} | 2 | 17.4 | 80A30 | 1 ^{3/16} | 10.7 |
| 31 | S80B31 | 10.430 | 1 ^{3/16} | 3 ^{1/4} | 4 ^{3/4} | 2 | 18.7 | 80A31 | 1 ^{3/16} | 11.3 |
| 32 | S80B32 | 10.750 | 1 ^{3/16} | 3 ^{1/4} | 4 ^{3/4} | 2 | 19.5 | 80A32 | 1 ^{3/16} | 12.11 |
| 33 | S80B33 | 11.070 | 1 ^{3/16} | 3 ^{1/4} | 4 ^{3/4} | 2 | 19.6 | 80A33 | 1 ^{3/16} | 13.6 |
| 34 | S80B34 | 11.390 | 1 ^{3/16} | 3 ^{1/4} | 4 ^{3/4} | 2 | 21.3 | 80A34 | 1 ^{3/16} | 14.3 |
| 35 | S80B35 | 11.710 | 1 ^{3/16} | 3 ^{1/4} | 4 ^{3/4} | 2 | 22.1 | 80A35 | 1 ^{3/16} | 14.8 |
| 36 | S80B36 | 12.030 | 1 ^{3/16} | 3 ^{1/4} | 4 ^{3/4} | 2 | 23.1 | 80A36 | 1 ^{3/16} | 16.1 |
| 37 | | 12.350 | | | | | | 80A37 | 1 ^{3/16} | 16.8 |
| 38 | S80B38 | 12.670 | 1 ^{3/16} | 3 ^{1/4} | 4 ^{3/4} | 2 | 24.7 | 80A38 | 1 ^{3/16} | 17.2 |
| 39 | S80B39 | 12.990 | 1 ^{3/16} | 3 ^{1/4} | 4 ^{3/4} | 2 | 25.6 | 80A39 | 1 ^{3/16} | 17.9 |
| 40 | S80B40 | 13.310 | 1 ^{3/16} | 3 ^{1/4} | 4 ^{3/4} | 2 | 26.7 | 80A40 | 1 ^{3/16} | 18.9 |
| 41 | S80B41 | 13.630 | 1 ^{1/4} | 3 ^{1/4} | 4 ^{3/4} | 2 | 27.8 | 80A41 | 1 ^{1/4} | 21.0 |
| 42 | S80B42 | 13.940 | 1 ^{1/4} | 3 ^{1/4} | 4 ^{3/4} | 2 | 28.7 | 80A42 | 1 ^{1/4} | 21.8 |
| 43 | | 14.260 | | | | | | 80A43 | 1 ^{1/4} | 23.6 |
| 44 | S80B44 | 14.580 | 1 ^{1/4} | 3 ^{1/4} | 4 ^{3/4} | 2 | 29.9 | 80A44 | 1 ^{1/4} | 24.3 |
| 45 | S80B45 | 14.900 | 1 ^{1/4} | 3 ^{1/4} | 4 ^{3/4} | 2 | 31.4 | 80A45 | 1 ^{1/4} | 25.2 |
| 46 | S80B46 | 15.220 | 1 ^{1/4} | 3 ^{1/4} | 4 ^{3/4} | 2 | 33.1 | 80A46 | 1 ^{1/4} | 26.6 |
| 47 | S80B47 | 15.540 | 1 ^{1/4} | 3 ^{1/4} | 4 ^{3/4} | 2 | 34.0 | 80A47 | 1 ^{1/4} | 27.4 |
| 48 | S80B48 | 15.860 | 1 ^{1/4} | 3 ^{1/4} | 4 ^{3/4} | 2 | 35.5 | 80A48 | 1 ^{1/4} | 27.8 |
| 49 | S80B49 | 16.180 | 1 ^{1/4} | 3 ^{1/4} | 4 ^{3/4} | 2 | 35.8 | 80A49 | 1 ^{1/4} | 28.9 |
| 50 | S80B50 | 16.500 | 1 ^{1/4} | 3 ^{1/4} | 4 ^{3/4} | 2 | 37.3 | 80A50 | 1 ^{1/4} | 30.9 |
| 51 | | 16.810 | | | | | | 80A51 | 1 ^{1/4} | 32.2 |
| 52 | | 17.130 | | | | | | 80A52 | 1 ^{1/4} | 33.0 |
| 53 | | 17.450 | | | | | | 80A53 | 1 ^{1/4} | 34.9 |
| 54 | S80B54 | 17.770 | 1 ^{1/4} | 3 ^{1/2} | 5 ^{1/4} | 2 | 44.7 | 80A54 | 1 ^{1/4} | 36.6 |
| 55 | | 18.090 | | | | | | 80A55 | 1 ^{1/4} | 37.5 |
| 56 | | 18.410 | | | | | | 80A56 | 1 ^{1/4} | 39.4 |
| 57 | | 18.730 | | | | | | 80A57 | 1 ^{1/4} | 40.4 |
| 58 | | 19.040 | | | | | | 80A58 | 1 ^{1/4} | 41.3 |
| 59 | | 19.360 | | | | | | 80A59 | 1 ^{1/4} | 42.9 |
| 60 | S80B60 | 19.680 | 1 ^{1/4} | 3 ^{1/2} | 5 ^{1/4} | 2 | 54.5 | 80A60 | 1 ^{1/4} | 45.3 |
| 65 | S80B65 | 21.270 | 1 ^{1/4} | 3 ^{1/2} | 5 ^{1/4} | 2 | 61.8 | 80A65 | 1 ^{1/4} | 52.2 |
| 70 | S80C70 | 22.870 | 1 ^{1/2} | 4 ^{1/4} | 6 ^{1/4} | 3 ^{1/2} | 75.7 | 80A70 | 1 ^{1/2} | 59.8 |
| 72 | S80C72 | 23.500 | 1 ^{1/2} | 4 ^{1/4} | 6 ^{1/4} | 3 ^{1/2} | 81.4 | 80A72 | 1 ^{1/2} | 65.7 |
| 76 | S80C76 | 24.780 | 1 ^{1/2} | 4 ^{1/4} | 6 ^{1/4} | 3 ^{1/2} | 87.8 | 80A76 | 1 ^{1/2} | 70.2 |
| 80 | S80C80 | 26.050 | 1 ^{1/2} | 4 ^{1/4} | 6 ^{1/4} | 3 ^{1/2} | 89.9 | 80A80 | 1 ^{1/2} | 79.6 |
| 84 | S80C84 | 27.330 | 1 ^{1/2} | 4 ^{1/4} | 6 ^{1/4} | 3 ^{1/2} | 99.2 | 80A84 | 1 ^{1/2} | 86.1 |
| 90 | S80C90 | 29.240 | 1 ^{1/2} | 4 ^{1/4} | 6 ^{1/4} | 3 ^{1/2} | 106 | 80A90 | 1 ^{1/2} | 101 |
| 96 | S80C96 | 31.150 | 1 ^{1/2} | 4 ^{1/4} | 6 ^{1/4} | 3 ^{1/2} | 117 | 80A96 | 1 ^{1/2} | 120 |
| 112 | S80C112 | 36.240 | 1 ^{1/2} | 4 ^{1/4} | 6 ^{1/4} | 3 ^{1/2} | 154 | 80A112 | 1 ^{1/2} | 165 |



B
B1=0.575"

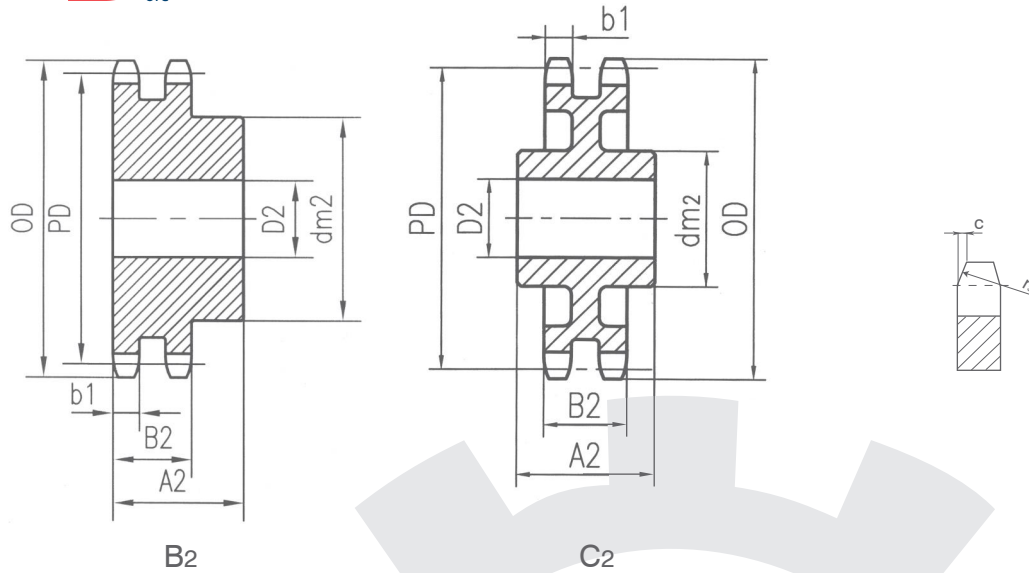


A



C

S standard
B ore
Sprockets



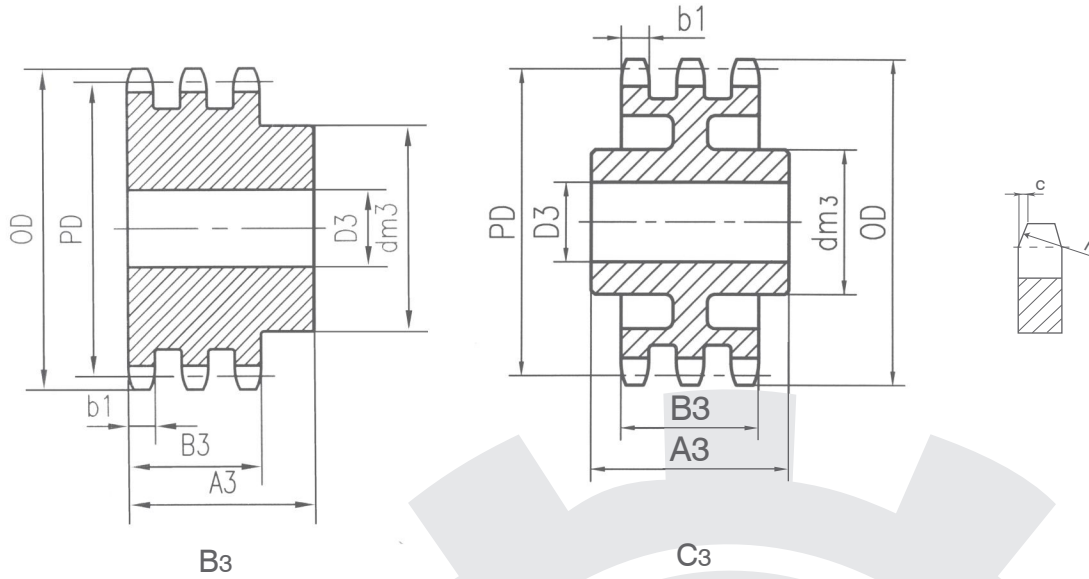
80-2
1"X5/8"

| Pinions | | Inches |
|-----------------------|----------------|--------|
| Tooth Radius | r ₃ | 1.063 |
| Radius Width | C | 0.126 |
| Tooth Width | b ₁ | 0.557 |
| Tooth Width | B ₂ | 1.710 |
| ROLLER-Ø0.625" | | |

80-2 FOR 1" PITCH ANSI CHAIN

| TEETH NO. | CATALOG NO. | OD | TYPE | BORE | | HUB | | WT LBS. |
|-----------|-------------|--------|------|-------|---------|---------|-------|---------|
| | | | | STOCK | MAX | dm2 | A2 | |
| 10 | D80B10 | 3.680 | B2 | 1 | 1 1/4 | 29/16* | 23/4 | 3.6 |
| 11 | D80B11 | 4.010 | B2 | 1 | 1 3/4 | 2 1/2 | 2 1/2 | 4.0 |
| 12 | D80B12 | 4.330 | B2 | 1 | 1 7/8 | 2 27/32 | 2 1/2 | 5.1 |
| 13 | D80B13 | 4.660 | B2 | 1 | 2 1/4 | 3 5/32 | 2 1/2 | 6.3 |
| 14 | D80B14 | 4.980 | B2 | 1 | 2 3/8 | 3 15/32 | 2 1/2 | 7.6 |
| 15 | D80B15 | 5.300 | B2 | 1 | 2 1/2 | 3 51/64 | 2 1/2 | 9.0 |
| 16 | D80B16 | 5.630 | B2 | 1 | 2 3/4 | 4 | 2 3/4 | 11.0 |
| 17 | D80B17 | 5.950 | B2 | 1 | 3 | 4 27/64 | 2 3/4 | 13.2 |
| 18 | D80B18 | 6.270 | B2 | 1 | 3 1/4 | 4 47/64 | 2 3/4 | 15.0 |
| 19 | D80B19 | 6.590 | B2 | 1 | 3 5/16 | 5 | 2 3/4 | 17.0 |
| 20 | D80B20 | 6.910 | B2 | 1 | 3 5/16 | 5 | 2 3/4 | 18.2 |
| 21 | D80B21 | 7.240 | B2 | 1 | 3 5/16 | 5 | 2 3/4 | 19.6 |
| 22 | D80B22 | 7.560 | B2 | 1 | 3 5/16 | 5 | 2 3/4 | 21.0 |
| 23 | D80B23 | 7.880 | B2 | 1 | 3 5/16 | 5 | 2 3/4 | 22.8 |
| 24 | D80B24 | 8.200 | B2 | 1 | 3 1/2 | 5 1/4 | 2 3/4 | 25.1 |
| 25 | D80B25 | 8.520 | B2 | 1 | 3 1/2 | 5 1/4 | 3 | 28.3 |
| 26 | D80B26 | 8.840 | B2 | 1 | 3 1/2 | 5 1/4 | 3 | 29.9 |
| 30 | D80B30 | 10.110 | B2 | 1 | 3 3/4 | 5 3/4 | 3 | 39.5 |
| 32 | D80B32 | 10.750 | B2 | 1 | 3 3/4 | 5 3/4 | 3 | 43.8 |
| 35 | D80B35 | 11.710 | B2 | 1 | 3 3/4 | 5 3/4 | 3 | 49.1 |
| 36 | D80B36 | 12.030 | B2 | 1 1/4 | 3 3/4 | 5 3/4 | 3 1/8 | 54.2 |
| 42 | D80B42 | 13.940 | B2 | 1 1/4 | 3 3/4 | 5 3/4 | 3 1/8 | 71.5 |
| 45 | D80B45 | 14.900 | B2 | 1 1/4 | 3 3/4 | 5 3/4 | 3 1/8 | 73.5 |
| 52 | D80C52 | 17.130 | C2 | 1 1/2 | 3 3/4 | 5 3/4 | 3 3/4 | 78.4 |
| 60 | D80C60 | 19.680 | C2 | 1 1/2 | 3 3/4 | 5 3/4 | 3 3/4 | 93.3 |
| 68 | D80C68 | 22.230 | C2 | 1 1/2 | 3 13/16 | 6 | 4 | 96.2 |
| 76 | D80C76 | 24.780 | C2 | 1 1/2 | 3 13/16 | 6 | 4 | 113 |
| 95 | D80C95 | 30.830 | C2 | 1 1/2 | 4 | 6 | 4 1/4 | 165 |

80-3
1"X5/8"



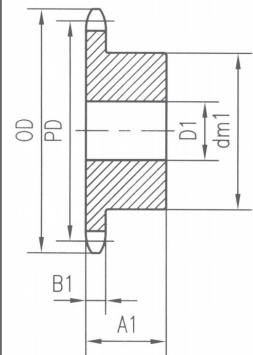
| Pinions | | Inches |
|---------------------------------------|-------|--------|
| Tooth Radius | r_3 | 1.063 |
| Radius Width | C | 0.126 |
| Tooth Width | b_1 | 0.557 |
| Tooth Width | B_3 | 2.863 |
| ROLLER-ϕ0.625" | | |

80-3 FOR 1" PITCH ANSI CHAIN

| NO. TEETH | CATALOG NO. | O.D. | TYPE | BORE | | HUB | | WT LBS. |
|-----------|-------------|--------|----------------|-------|---------|---------|-------|---------|
| | | | | STOCK | MAX | HD | LTD | |
| 11 | T80B11 | 4.010 | B ₃ | 1 | 13/4 | 2 1/2 | 35/8 | 5.9 |
| 12 | T80B12 | 4.330 | B ₃ | 1 | 17/8 | 2 27/32 | 35/8 | 7.5 |
| 13 | T80B13 | 4.660 | B ₃ | 1 | 2 1/4 | 35/32 | 35/8 | 9.2 |
| 14 | T80B14 | 4.980 | B ₃ | 1 | 2 3/8 | 3 15/32 | 35/8 | 11.0 |
| 15 | T80B15 | 5.300 | B ₃ | 1 | 2 1/2 | 3 51/64 | 35/8 | 13.1 |
| 16 | T80B16 | 5.630 | B ₃ | 1 | 2 3/4 | 4 | 3 7/8 | 15.8 |
| 17 | T80B17 | 5.950 | B ₃ | 1 | 3 | 4 27/64 | 3 7/8 | 18.6 |
| 18 | T80B18 | 6.270 | B ₃ | 1 | 3 1/4 | 4 47/64 | 3 7/8 | 21.2 |
| 19 | T80B19 | 6.590 | B ₃ | 1 | 3 5/16 | 5 | 3 7/8 | 23.7 |
| 20 | T80B20 | 6.910 | B ₃ | 1 | 3 5/16 | 5 | 3 7/8 | 26.0 |
| 21 | T80B21 | 7.240 | B ₃ | 1 | 3 5/16 | 5 | 3 7/8 | 28.4 |
| 22 | T80B22 | 7.560 | B ₃ | 1 | 3 5/16 | 5 | 3 7/8 | 31.0 |
| 23 | T80B23 | 7.880 | B ₃ | 1 | 3 5/16 | 5 | 3 7/8 | 33.6 |
| 24 | T80B24 | 8.200 | B ₃ | 1 | 3 1/2 | 5 1/4 | 3 7/8 | 37.1 |
| 25 | T80B25 | 8.520 | B ₃ | 1 | 3 1/2 | 5 1/4 | 3 7/8 | 40.1 |
| 26 | T80B26 | 8.840 | B ₃ | 1 | 3 1/2 | 5 1/4 | 3 7/8 | 42.9 |
| 30 | T80B30 | 10.110 | B ₃ | 1 1/4 | 3 3/4 | 5 3/4 | 4 1/4 | 54.5 |
| 35 | T80B35 | 11.710 | B ₃ | 1 1/4 | 3 3/4 | 5 3/4 | 4 1/4 | 79.5 |
| 36 | T80B36 | 12.030 | B ₃ | 1 1/4 | 3 3/4 | 5 3/4 | 4 1/4 | 83.9 |
| 42 | T80C42 | 13.940 | C ₃ | 1 1/4 | 3 13/16 | 6 | 4 1/2 | 84.9 |
| 45 | T80C45 | 14.900 | C ₃ | 1 1/4 | 3 13/16 | 6 | 4 1/2 | 92.4 |
| 52 | T80C52 | 17.130 | C ₃ | 1 1/2 | 3 13/16 | 6 | 4 1/2 | 107 |
| 60 | T80C60 | 19.680 | C ₃ | 1 1/2 | 4 1/4 | 6 1/4 | 4 3/4 | 128 |
| 68 | T80C68 | 22.230 | C ₃ | 1 1/2 | 4 1/4 | 6 1/4 | 4 3/4 | 140 |
| 76 | T80C76 | 24.780 | C ₃ | 1 1/2 | 4 1/4 | 6 1/4 | 4 3/4 | 165 |
| 95 | T80C96 | 30.830 | C ₃ | 1 1/2 | 4 1/2 | 6 3/4 | 5 | 240 |

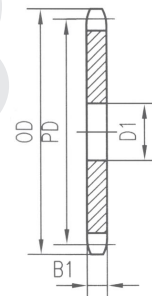
100-1 FOR 1 1/4" PITCH ANSI CHAIN

| SINGLE-TYPE B&C | | | | | | | | SINGLE-TYPE A | | |
|-----------------|-------------|--------|--------|--------|----------|-------|--------|---------------|------------|---------|
| TEETH NO. | CATALOG NO. | OD | BORE | | dm1 | A1 | WT LBS | CATALOG NO. | STOCK BORE | WT. LBS |
| | | | STOCK | MAX | | | | | | |
| 7 | | 3.350 | | | | | 100A7 | 1 | 1.2 | |
| 8 | S100B8 | 3.770 | 1 | 1 1/4 | 27/16* | 17/8 | 100A8 | 1 | 1.4 | |
| 9 | S100B9 | 4.180 | 1 | 1 5/8 | 2 13/16* | 17/8 | 100A9 | 1 | 1.6 | |
| 10 | S100B10 | 4.600 | 1 | 1 7/8 | 3 1/4* | 17/8 | 100A10 | 1 | 2.0 | |
| 11 | S100B11 | 5.010 | 1 | 2 1/4 | 3 9/16* | 17/8 | 100A11 | 1 1/4 | 2.5 | |
| 12 | S100B12 | 5.420 | 1 | 2 1/4 | 4* | 17/8 | 100A12 | 1 1/4 | 3.0 | |
| 13 | S100B13 | 5.820 | 1 | 2 3/8 | 3 7/8 | 1 5/8 | 100A13 | 1 1/4 | 3.5 | |
| 14 | S100B14 | 6.230 | 1 1/4 | 2 3/4 | 4 3/16 | 1 5/8 | 100A14 | 1 1/4 | 4.1 | |
| 15 | S100B15 | 6.630 | 1 1/4 | 3 | 4 1/2 | 1 3/4 | 100A15 | 1 1/4 | 4.7 | |
| 16 | S100B16 | 7.030 | 1 5/16 | 3 | 4 1/2 | 1 3/4 | 100A16 | 1 1/4 | 5.4 | |
| 17 | S100B17 | 7.440 | 1 5/16 | 3 | 4 1/2 | 1 3/4 | 100A17 | 1 1/4 | 6.1 | |
| 18 | S100B18 | 7.840 | 1 5/16 | 3 | 4 1/2 | 1 3/4 | 100A18 | 1 1/4 | 7.0 | |
| 19 | S100B19 | 8.240 | 1 5/16 | 3 | 4 1/2 | 2 | 100A19 | 1 1/4 | 7.8 | |
| 20 | S100B20 | 8.640 | 1 5/16 | 3 | 4 1/2 | 2 | 100A20 | 1 1/4 | 8.8 | |
| 21 | S100B21 | 9.040 | 1 5/16 | 3 | 4 1/2 | 2 | 100A21 | 1 1/4 | 9.8 | |
| 22 | S100B22 | 9.440 | 1 5/16 | 3 | 4 1/2 | 2 | 100A22 | 1 1/4 | 10.5 | |
| 23 | S100B23 | 9.840 | 1 1/4 | 3 | 4 1/2 | 2 | 100A23 | 1 1/4 | 11.8 | |
| 24 | S100B24 | 10.250 | 1 1/4 | 3 | 4 1/2 | 2 | 100A24 | 1 1/4 | 12.8 | |
| 25 | S100B25 | 10.650 | 1 1/4 | 3 | 4 1/2 | 2 | 100A25 | 1 1/4 | 13.9 | |
| 26 | S100B26 | 11.050 | 1 1/4 | 3 5/16 | 5 | 2 | 100A26 | 1 1/4 | 15.0 | |
| 27 | S100B27 | 11.440 | 1 1/4 | 3 5/16 | 5 | 2 | 100A27 | 1 1/4 | 16.0 | |
| 28 | S100B28 | 11.840 | 1 1/4 | 3 5/16 | 5 | 2 | 100A28 | 1 1/4 | 17.4 | |
| 29 | S100B29 | 12.240 | 1 1/4 | 3 5/16 | 5 | 2 | 100A29 | 1 1/4 | 19.6 | |
| 30 | S100B30 | 12.640 | 1 1/4 | 3 5/16 | 5 | 2 | 100A30 | 1 1/4 | 20.1 | |
| 31 | | 13.040 | | | | | 100A31 | 1 1/4 | 21.5 | |
| 32 | S100B32 | 13.440 | 1 1/4 | 3 5/16 | 5 | 2 | 100S32 | 1 1/4 | 22.6 | |
| 33 | | 13.840 | | | | | 100A33 | 1 1/4 | 24.1 | |
| 34 | | 14.240 | | | | | 100A34 | 1 1/4 | 26.0 | |
| 35 | S100B35 | 14.640 | 1 1/4 | 3 5/16 | 5 | 2 1/2 | 100A35 | 1 1/4 | 27.2 | |
| 36 | S100B36 | 15.040 | 1 1/4 | 3 5/16 | 5 | 2 1/2 | 100A36 | 1 1/4 | 30.0 | |
| 37 | | 15.440 | | | | | 100A37 | 1 1/4 | 31.0 | |
| 38 | S100B38 | 15.840 | 1 1/4 | 3 5/16 | 5 | 2 1/2 | 100A38 | 1 1/4 | 33.0 | |
| 39 | S100B39 | 16.230 | 1 1/4 | 3 5/16 | 5 | 2 1/2 | 100A39 | 1 1/4 | 35.0 | |
| 40 | S100B40 | 16.630 | 1 1/4 | 3 5/16 | 5 | 2 1/2 | 100A40 | 1 1/4 | 36.0 | |
| 41 | | 17.030 | | | | | 100A41 | 1 1/4 | 39.0 | |
| 42 | S100B42 | 17.430 | 1 1/4 | 3 5/16 | 5 | 2 1/2 | 100A42 | 1 1/4 | 40.0 | |
| 43 | | 17.830 | | | | | 100A43 | 1 1/2 | 43.0 | |
| 44 | | 18.230 | | | | | 100A44 | 1 1/2 | 45.0 | |
| 45 | S100B45 | 18.630 | 1 1/2 | 3 5/16 | 5 | 2 1/2 | 100A45 | 1 1/2 | 47.0 | |
| 46 | | 19.020 | | | | | 100A46 | 1 1/2 | 48.0 | |
| 47 | | 19.420 | | | | | 100A47 | 1 1/2 | 52.0 | |
| 48 | S100B48 | 19.820 | 1 1/2 | 4 | 6 | 2 1/2 | 100A48 | 1 1/2 | 54.0 | |
| 49 | | 20.220 | | | | | 100A49 | 1 1/2 | 56.0 | |
| 50 | | 20.620 | | | | | 100A50 | 1 1/2 | 57.0 | |
| 51 | | 21.020 | | | | | 100A51 | 1 1/2 | 63.0 | |
| 52 | | 21.420 | | | | | 100A52 | 1 1/2 | 64.0 | |
| 53 | S100C54 | 21.810 | 1 1/2 | 4 | 6 | 3 1/4 | 100A53 | 1 1/2 | 66.2 | |
| 54 | | 22.210 | | | | | 100A54 | 1 1/2 | 68.0 | |
| 55 | | 22.610 | | | | | 100A55 | 1 1/2 | 70.0 | |
| 56 | | 23.010 | | | | | 100A56 | 1 1/2 | 72.0 | |
| 57 | | 23.410 | | | | | 100A57 | 1 1/2 | 75.8 | |
| 58 | | 23.810 | | | | | 100A58 | 1 1/2 | 76.0 | |
| 59 | | 24.200 | | | | | 100A59 | 1 1/2 | 77.0 | |
| 60 | S100C60 | 24.600 | 1 1/2 | 4 | 6 | 3 1/4 | 100A60 | 1 1/2 | 80.0 | |
| 70 | S100C70 | 28.580 | 1 1/2 | 5 1/4 | 7 | 3 3/4 | 100A70 | 1 1/2 | 113 | |
| 72 | S100C72 | 29.380 | 1 1/2 | 5 1/4 | 7 | 3 3/4 | 100A72 | 1 1/2 | 119 | |
| 76 | S100C76 | 30.973 | 1 1/2 | 5 1/4 | 7 | 3 3/4 | 100A76 | 1 1/2 | 133 | |
| 80 | S100C80 | 32.570 | 1 1/2 | 5 1/4 | 7 | 3 3/4 | 100A80 | 1 1/2 | 146 | |
| 84 | S100C84 | 34.160 | 1 1/2 | 5 1/4 | 7 | 3 3/4 | 100A84 | 1 1/2 | 162 | |
| 90 | S100C90 | 36.550 | 1 1/2 | 5 1/4 | 7 | 3 3/4 | 100A90 | 1 1/2 | 193 | |
| 96 | S100C96 | 38.930 | 1 1/2 | 5 1/4 | 7 | 4 1/2 | 100A96 | 1 1/2 | 215 | |

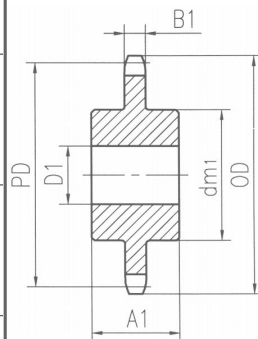


B

B1=0.692"



A



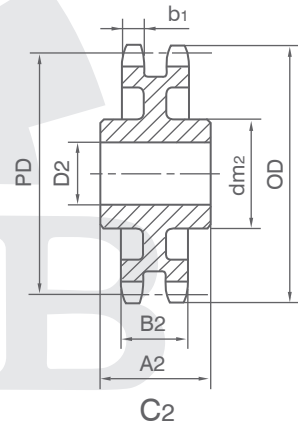
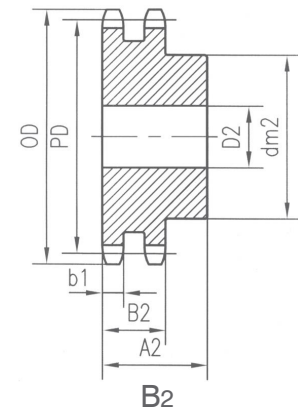
C

100

1 1/4"X3/4"

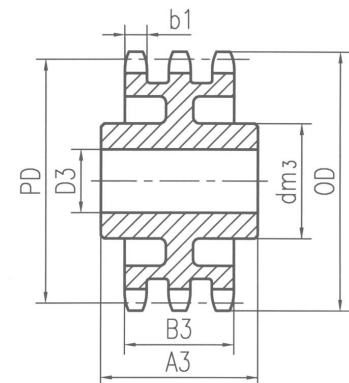
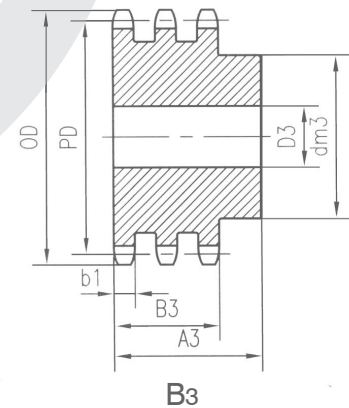
100-2 FOR 3/4" PITCH ANSI CHAIN

| TEETH NO. | CATALOG NO. | OD | TYPE | BORE | | HUB | | WT LBS. |
|-----------|-------------|--------|------|-------|--------|--------|------|---------|
| | | | | STOCK | MAX | dm2 | A2 | |
| 9 | D100B9 | 4.180 | B2 | 1 | 15/8 | 23/8 | 27/8 | 4.6 |
| 10 | D100B10 | 4.600 | B2 | 1 | 17/8 | 23/4 | 27/8 | 6.2 |
| 11 | D100B11 | 5.010 | B2 | 1 | 21/8 | 31/8 | 27/8 | 7.9 |
| 12 | D100B12 | 5.420 | B2 | 1 1/8 | 21/4 | 33/8 | 27/8 | 9.3 |
| 13 | D100B13 | 5.820 | B2 | 1 1/8 | 21/2 | 313/16 | 27/8 | 11.4 |
| 14 | D100B14 | 6.230 | B2 | 1 1/8 | 23/4 | 43/16 | 27/8 | 13.6 |
| 15 | D100B15 | 6.630 | B2 | 1 1/4 | 31/8 | 45/8 | 31/8 | 17.1 |
| 16 | D100B16 | 7.030 | B2 | 1 1/4 | 35/16 | 5 | 31/8 | 20.1 |
| 17 | D100B17 | 7.440 | B2 | 1 1/4 | 31/2 | 51/4 | 31/8 | 23.1 |
| 18 | D100B18 | 7.840 | B2 | 1 1/4 | 31/2 | 51/4 | 31/8 | 25.4 |
| 19 | D100B19 | 8.240 | B2 | 1 1/4 | 33/4 | 51/2 | 33/8 | 29.6 |
| 20 | D100B20 | 8.640 | B2 | 1 1/4 | 33/4 | 51/2 | 33/8 | 32.4 |
| 21 | D100B21 | 9.040 | B2 | 1 1/4 | 33/4 | 51/2 | 33/8 | 35.3 |
| 22 | D100B22 | 9.440 | B2 | 1 1/4 | 33/4 | 51/2 | 33/8 | 38.4 |
| 23 | D100B23 | 9.840 | B2 | 1 1/4 | 33/4 | 51/2 | 33/8 | 41.3 |
| 24 | D100B24 | 10.250 | B2 | 1 1/4 | 33/4 | 53/4 | 33/8 | 45.1 |
| 25 | D100B25 | 10.650 | B2 | 1 1/4 | 33/4 | 53/4 | 33/8 | 48.5 |
| 26 | D100B26 | 11.050 | B2 | 1 1/2 | 33/4 | 53/4 | 33/8 | 51.5 |
| 30 | D100B30 | 12.640 | B2 | 1 1/2 | 33/4 | 53/4 | 33/8 | 65.0 |
| 35 | D100C35 | 14.640 | C2 | 1 1/2 | 313/16 | 6 | 41/4 | 75.0 |
| 45 | D100C45 | 18.630 | C2 | 1 1/2 | 313/16 | 6 | 41/2 | 103 |
| 60 | D100C60 | 24.600 | C2 | 1 1/2 | 53/8 | 71/2 | 5 | 175 |
| 70 | D100C70 | 28.580 | C2 | 1 1/2 | 53/8 | 71/2 | 5 | 197 |
| 80 | D100C80 | 32.570 | C2 | 1 1/2 | 53/8 | 71/2 | 5 | 231 |



100-3 FOR 1 1/4" PITCH ANSI CHAIN

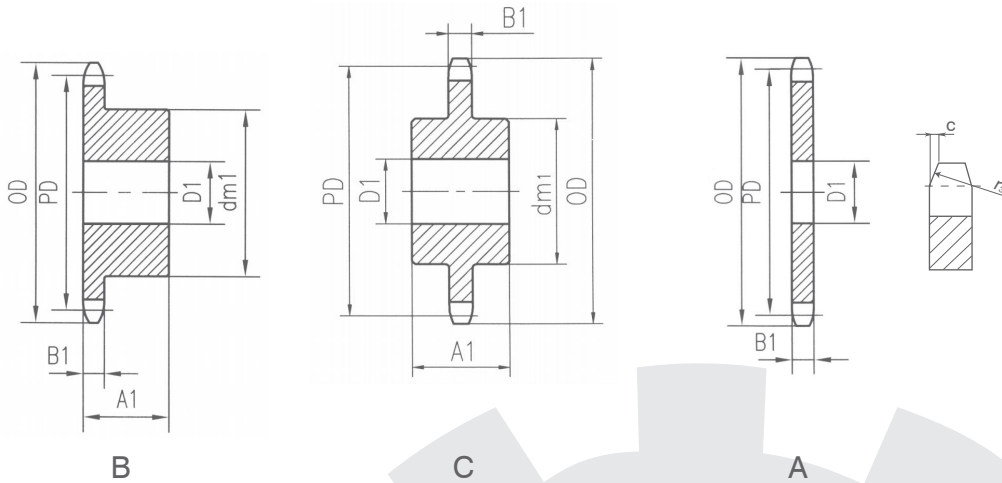
| TEETH NO. | CATALOG NO. | OD | TYPE | BORE | | HUB | | WT LBS. |
|-----------|-------------|--------|------|-------|--------|--------|------|---------|
| | | | | STOCK | MAX | dm2 | A2 | |
| 11 | T100B11 | 5.010 | B3 | 1 | 21/8 | 31/8 | 41/4 | 11.7 |
| 12 | T100B12 | 5.420 | B3 | 1 1/8 | 21/4 | 33/8 | 41/4 | 13.7 |
| 13 | T100B13 | 5.820 | B3 | 1 1/8 | 21/2 | 313/16 | 41/4 | 16.9 |
| 14 | T100B14 | 6.230 | B3 | 1 1/8 | 23/4 | 43/16 | 41/4 | 20.2 |
| 15 | T100B15 | 6.630 | B3 | 1 1/4 | 31/8 | 45/8 | 41/2 | 25.0 |
| 16 | T100B16 | 7.030 | B3 | 1 1/4 | 35/16 | 5 | 41/2 | 29.3 |
| 17 | T100B17 | 7.440 | B3 | 1 1/4 | 31/2 | 51/4 | 41/2 | 33.8 |
| 18 | T100B18 | 7.840 | B3 | 1 1/4 | 31/2 | 51/4 | 43/4 | 38.6 |
| 19 | T100B19 | 8.240 | B3 | 1 1/4 | 33/4 | 51/2 | 43/4 | 43.3 |
| 20 | T100B20 | 8.640 | B3 | 1 1/4 | 33/4 | 51/2 | 43/4 | 47.9 |
| 21 | T100B21 | 9.040 | B3 | 1 1/4 | 33/4 | 51/2 | 43/4 | 52.3 |
| 22 | T100B22 | 9.440 | B3 | 1 1/4 | 33/4 | 51/2 | 43/4 | 57.5 |
| 23 | T100B23 | 9.840 | B3 | 1 1/4 | 33/4 | 51/2 | 43/4 | 62.5 |
| 24 | T100B24 | 10.250 | B3 | 1 1/4 | 33/4 | 53/4 | 43/4 | 69 |
| 25 | T100B25 | 10.650 | B3 | 1 1/4 | 33/4 | 53/4 | 43/4 | 73 |
| 26 | T100B26 | 11.050 | B3 | 1 1/2 | 313/16 | 53/4 | 43/4 | 79 |
| 30 | T100B30 | 12.640 | B3 | 1 1/2 | 313/16 | 53/4 | 43/4 | 103 |
| 35 | T100C35 | 14.640 | C3 | 1 1/2 | 4 | 6 | 5 | 108 |
| 45 | T100C45 | 18.630 | C3 | 1 1/2 | 4 | 6 | 5 | 143 |
| 60 | T100C60 | 24.600 | C3 | 1 1/2 | 53/8 | 71/2 | 5 | 217 |
| 70 | T100C70 | 28.580 | C3 | 1 1/2 | 53/8 | 71/2 | 5 | 262 |
| 80 | T100C80 | 32.570 | C3 | 1 1/2 | 53/8 | 71/2 | 5 | 313 |



S ^{standard}
B _{ore} **Sprockets**

120-1

1 1/2"X1"



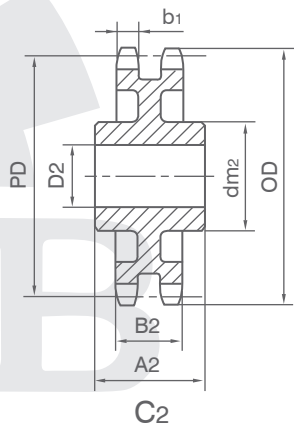
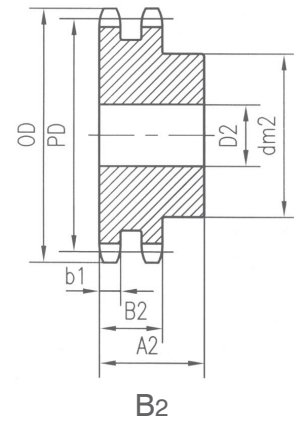
| Pinions | | Inches |
|-----------------------|----------------|--------|
| Tooth Radius | r ₃ | 1.594 |
| Radius Width | C | 0.189 |
| Tooth Width | B ₁ | 0.924 |
| ROLLER-Ø0.875" | | |

120-1 FOR 1 1/2" PITCH ANSI CHAIN

| SINGLE-TYPE B&C | | | | | | | | SINGLE-TYPE A | | |
|-----------------|-------------|--------|-------|---------|-------|----------------|---------|---------------|------------|----------|
| TEETH NO. | CATALOG NO. | OD | BORE | | dm! | A ₁ | WT LBS. | CATALOG NO. | STOCK BORE | WT. LBS. |
| | | | STOCK | MAX | | | | | | |
| 8 | | 4.520 | | | | | | 120A8 | 1 1/4 | 2.4 |
| 9 | S120B9 | 5.020 | 13/8 | 1 13/16 | 33/8 | 2 1/4 | 5.3 | 120A9 | 1 1/4 | 3.0 |
| 10 | S120B10 | 5.520 | 13/8 | 2 1/4 | 33/4 | 2 1/4 | 7.1 | 120A10 | 1 1/4 | 3.8 |
| 11 | S120B11 | 6.010 | 13/8 | 2 3/8 | 39/16 | 2 1/8 | 7.6 | 120A11 | 1 1/4 | 4.8 |
| 12 | S120B12 | 6.500 | 13/8 | 2 3/4 | 4 1/8 | 2 1/8 | 9.9 | 120A12 | 1 1/4 | 5.8 |
| 13 | S120B13 | 6.990 | 13/8 | 3 | 49/16 | 2 1/4 | 12.4 | 120A13 | 1 1/4 | 6.7 |
| 14 | S120B14 | 7.470 | 13/8 | 3 1/4 | 43/4 | 2 1/4 | 14.4 | 120A14 | 1 1/4 | 8.0 |
| 15 | S120B15 | 7.960 | 1 1/4 | 3 1/4 | 43/4 | 2 3/8 | 16.7 | 120A15 | 1 1/4 | 9.1 |
| 16 | S120B16 | 8.440 | 1 1/4 | 3 1/2 | 5 1/4 | 2 3/8 | 19.9 | 120A16 | 1 1/4 | 10.6 |
| 17 | S120B17 | 8.920 | 1 1/4 | 3 1/2 | 5 1/4 | 2 3/8 | 20.8 | 120A17 | 1 1/4 | 12.6 |
| 18 | S120B18 | 9.410 | 1 1/4 | 3 1/2 | 5 1/4 | 2 3/8 | 22.2 | 120A18 | 1 1/4 | 13.6 |
| 19 | S120B19 | 9.890 | 1 1/4 | 3 1/2 | 5 1/4 | 2 3/8 | 24.8 | 120A19 | 1 1/4 | 15.1 |
| 20 | S120B20 | 10.370 | 1 1/4 | 3 1/2 | 5 1/4 | 2 3/8 | 25.8 | 120A20 | 1 1/4 | 16.9 |
| 21 | S120B21 | 10.850 | 1 1/4 | 3 1/2 | 5 1/4 | 2 3/8 | 26.7 | 120A21 | 1 1/4 | 18.7 |
| 22 | S120B22 | 11.330 | 1 1/4 | 3 1/2 | 5 1/4 | 2 3/8 | 28.2 | 120A22 | 1 1/4 | 20.0 |
| 23 | S120B23 | 11.810 | 1 1/4 | 3 1/2 | 5 1/4 | 2 3/8 | 30.3 | 120A23 | 1 1/4 | 22.1 |
| 24 | S120B24 | 12.290 | 1 1/4 | 3 1/2 | 5 1/4 | 2 3/8 | 32.1 | 120A24 | 1 1/4 | 24.8 |
| 25 | S120B25 | 12.770 | 1 1/4 | 3 1/2 | 5 1/4 | 2 3/8 | 34.6 | 120A25 | 1 1/4 | 26.8 |
| 26 | S120B26 | 13.250 | 1 1/2 | 4 | 6 | 2 1/2 | 40.0 | 120A26 | 1 1/2 | 28.3 |
| 27 | | 13.730 | | | | | | 120A27 | 1 1/2 | 30.9 |
| 28 | S120B28 | 14.210 | 1 1/2 | 4 | 6 | 2 1/2 | 44.9 | 120A28 | 1 1/2 | 33.6 |
| 30 | S120B30 | 15.170 | 1 1/2 | 4 | 6 | 2 1/2 | 50.2 | 120A30 | 1 1/2 | 39.0 |
| 32 | S120B32 | 16.130 | 1 1/2 | 4 | 6 | 2 1/2 | 56.0 | 120A32 | 1 1/2 | 43.9 |
| 33 | | 16.610 | | | | | | 120A33 | 1 1/2 | 48.2 |
| 34 | | 17.090 | | | | | | 120A34 | 1 1/2 | 50 |
| 35 | S120B35 | 17.570 | 1 1/2 | 4 | 6 | 2 1/2 | 62.4 | 120A35 | 1 1/2 | 52 |
| 36 | S120B36 | 18.050 | 1 1/2 | 4 | 6 | 2 1/2 | 66.4 | 120A36 | 1 1/2 | 56 |
| 40 | S120C40 | 19.960 | 1 1/2 | 4 | 6 | 3 3/4 | 92.0 | 120A40 | 1 1/2 | 71 |
| 42 | S120C42 | 20.920 | 1 1/2 | 4 | 6 | 3 3/4 | 98.0 | 120A42 | 1 1/2 | 75 |
| 45 | S120C45 | 22.350 | 1 1/2 | 4 | 6 | 3 3/4 | 99.2 | 120A45 | 1 1/2 | 88 |
| 48 | S120C48 | 23.790 | 1 1/2 | 4 | 6 | 4 | 113 | 120A48 | 1 1/2 | 103 |
| 54 | S120C54 | 26.650 | 1 1/2 | 4 | 6 | 4 | 133 | 120A54 | 1 1/2 | 140 |
| 60 | S120C60 | 29.520 | 1 1/2 | 5 1/4 | 7 | 4 | 160 | 120A60 | 1 1/2 | 160 |
| 70 | S120C70 | 34.300 | 1 1/2 | 5 3/8 | 7 1/2 | 4 1/2 | 206 | 120A70 | 1 1/2 | 216 |
| 80 | S120C80 | 39.080 | 1 1/2 | 5 3/8 | 7 1/2 | 4 1/2 | 254 | 120A80 | 1 1/2 | 284 |
| 90 | | 43.850 | | | | | | 120A90 | 1 1/2 | 358 |

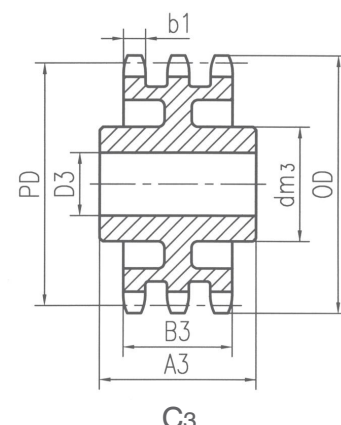
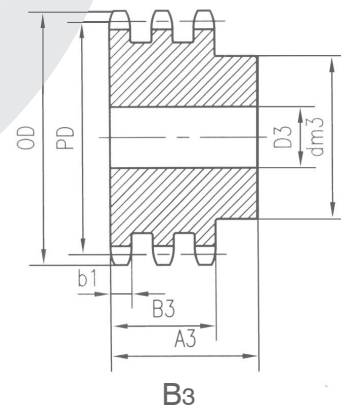
120-2 FOR 1 1/2" PITCH ANSI CHAIN

| TEETH NO. | CATALOG NO. | OD | TYPE | BORE | | HUB | | WT LBS. |
|-----------|-------------|--------|------|-------|---------|-------|-------|---------|
| | | | | STOCK | MAX | dm2 | A2 | |
| 11 | D120B11 | 6.010 | B2 | 1 1/2 | 23/8 | 39/16 | 33/4 | 13.6 |
| 12 | D120B12 | 6.500 | B2 | 1 1/2 | 23/4 | 41/16 | 33/4 | 17.3 |
| 13 | D120B13 | 6.990 | B2 | 1 1/2 | 3 | 4 1/2 | 33/4 | 21.1 |
| 14 | D120B14 | 7.470 | B2 | 1 1/2 | 35/16 | 5 | 33/4 | 25.6 |
| 15 | D120B15 | 7.960 | B2 | 1 1/2 | 31/2 | 5 1/4 | 33/4 | 29.9 |
| 16 | D120B16 | 8.440 | B2 | 1 1/2 | 3 1/2 | 5 1/4 | 33/4 | 33.8 |
| 17 | D120B17 | 8.920 | B2 | 1 1/2 | 3 1/2 | 5 1/4 | 33/4 | 36.9 |
| 18 | D120B18 | 9.410 | B2 | 1 1/2 | 3 1/2 | 5 1/4 | 33/4 | 41.9 |
| 19 | D120B19 | 9.890 | B2 | 1 1/2 | 3 1/2 | 5 1/4 | 33/4 | 46.5 |
| 20 | D120B20 | 10.370 | B2 | 1 1/2 | 3 1/2 | 5 1/2 | 33/4 | 50.2 |
| 21 | D120B21 | 10.850 | B2 | 1 1/2 | 3 1/2 | 5 1/2 | 33/4 | 55.6 |
| 22 | D120B22 | 11.330 | B2 | 1 1/2 | 3 13/16 | 5 3/4 | 4 | 64.0 |
| 23 | D120B23 | 11.810 | B2 | 1 1/2 | 4 1/2 | 6 1/2 | 4 | 75.0 |
| 24 | D120B24 | 12.290 | B2 | 1 1/2 | 4 1/2 | 6 1/2 | 4 | 79.0 |
| 25 | D120B25 | 12.770 | B2 | 1 1/2 | 4 1/2 | 6 1/2 | 4 | 84.0 |
| 26 | D120B26 | 13.250 | B2 | 1 1/2 | 4 1/2 | 6 1/2 | 4 | 90.0 |
| 30 | D120B30 | 15.170 | B2 | 1 1/2 | 4 1/2 | 6 1/2 | 4 | 119 |
| 35 | D120C35 | 17.570 | C2 | 1 1/2 | 5 3/8 | 7 1/2 | 6 | 148 |
| 45 | D120C45 | 22.350 | C2 | 1 1/2 | 5 3/8 | 7 1/2 | 6 | 188 |
| 60 | D120C60 | 29.520 | C2 | 1 1/2 | 6 3/8 | 9 1/2 | 6 1/4 | 307 |



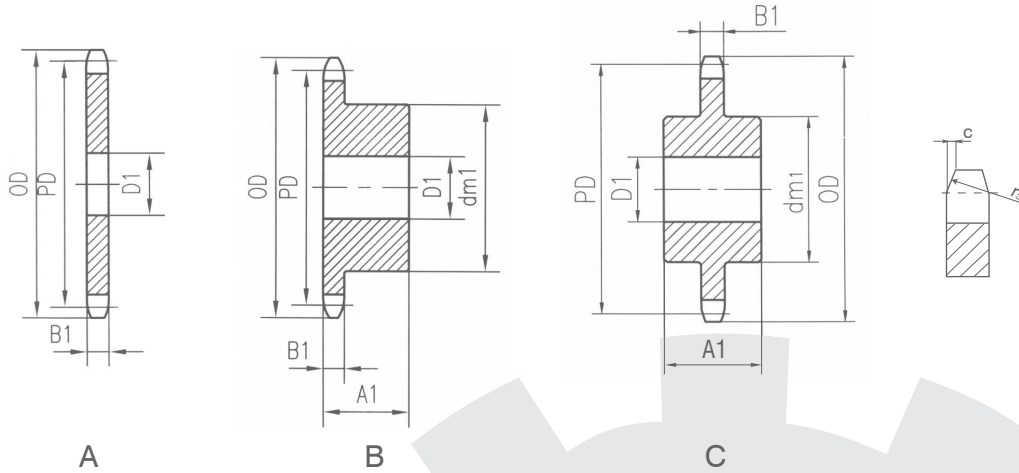
120-3 FOR 1 1/2" PITCH ANSI CHAIN

| TEETH NO. | CATALOG NO. | O.D | TYPE | BORE | | HUB | | WT LBS. |
|-----------|-------------|--------|------|---------|---------|-------|-------|---------|
| | | | | STOCK | MAX | dm3 | A3 | |
| 11 | T120B11 | 6.010 | B3 | 1 1/2 | 2 1/16 | 39/16 | 5 1/2 | 22.1 |
| 12 | T120B12 | 6.500 | B3 | 1 1/2 | 2 7/16 | 41/16 | 5 1/2 | 27.6 |
| 13 | T120B13 | 6.990 | B3 | 1 1/2 | 2 13/16 | 49/16 | 5 1/2 | 33.7 |
| 14 | T120B14 | 7.470 | B3 | 1 1/2 | 3 | 5 | 5 3/4 | 41.1 |
| 15 | T120B15 | 7.960 | B3 | 1 1/2 | 3 3/8 | 5 1/2 | 5 3/4 | 48.4 |
| 16 | T120B16 | 8.440 | B3 | 1 1/2 | 3 3/8 | 5 1/2 | 5 3/4 | 55.3 |
| 17 | T120B17 | 8.920 | B3 | 1 1/2 | 3 3/8 | 5 1/2 | 5 3/4 | 62.4 |
| 18 | T120B18 | 9.410 | B3 | 2 3/16 | 4 3/8 | 6 1/2 | 5 3/4 | 69.8 |
| 19 | T120B19 | 9.890 | B3 | 2 3/16 | 4 3/8 | 6 1/2 | 5 3/4 | 75.0 |
| 20 | T120B20 | 10.370 | B3 | 2 3/16 | 4 3/8 | 6 1/2 | 5 3/4 | 87.0 |
| 21 | T120B21 | 10.850 | B3 | 2 3/16 | 4 3/8 | 6 1/2 | 5 3/4 | 96.0 |
| 22 | T120B22 | 11.330 | B3 | 2 3/16 | 4 3/8 | 6 1/2 | 5 3/4 | 105.0 |
| 23 | T120B23 | 11.810 | B3 | 2 3/16 | 4 3/8 | 6 1/2 | 5 3/4 | 116.0 |
| 24 | T120B24 | 12.290 | B3 | 2 3/16 | 4 3/8 | 6 1/2 | 5 3/4 | 127.0 |
| 25 | T120B25 | 12.770 | B3 | 2 3/16 | 4 3/8 | 6 1/2 | 5 3/4 | 138.0 |
| 26 | T120B26 | 13.250 | B3 | 2 3/16 | 4 3/8 | 6 1/2 | 5 3/4 | 149.0 |
| 27 | T120B27 | 13.730 | B3 | 2 3/16 | 4 3/8 | 6 1/2 | 5 3/4 | 161.0 |
| 28 | T120B28 | 14.210 | B3 | 2 3/16 | 4 3/8 | 6 1/2 | 5 3/4 | 174.0 |
| 30 | T120B30 | 15.170 | B3 | 2 3/16 | 4 3/8 | 6 1/2 | 5 3/4 | 201.0 |
| 32 | T120B32 | 16.130 | B3 | 2 3/16 | 4 3/8 | 6 1/2 | 5 3/4 | 229.0 |
| 35 | T120B35 | 17.570 | B3 | 2 15/16 | 5 | 7 1/2 | 6 | 276.0 |
| 36 | T120B36 | 18.050 | B3 | 2 15/16 | 5 | 7 1/2 | 6 | 293.0 |
| 40 | T120B40 | 19.960 | B3 | 2 15/16 | 5 | 7 1/2 | 6 | 363.0 |
| 42 | T120B42 | 20.920 | B3 | 2 15/16 | 2 | 7 1/2 | 6 | 401.0 |
| 45 | T120B45 | 22.350 | B3 | 2 15/16 | 5 | 7 1/2 | 6 | 462.0 |
| 48 | T120C48 | 23.790 | C3 | 2 15/16 | 5 | 7 1/2 | 6 | 210.0 |
| 54 | T120C54 | 26.650 | C3 | 2 15/16 | 5 | 7 1/2 | 6 | 224.0 |



S Standard
B ore
Sprockets

140-1
1 3/4"X1"



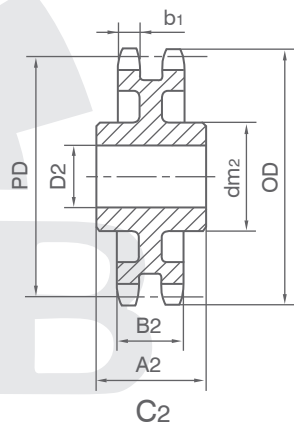
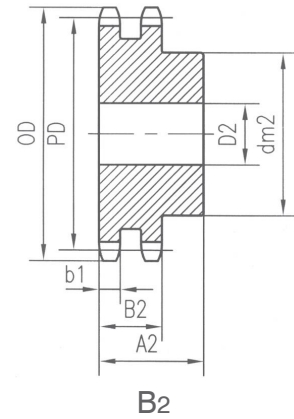
| Pinions | | Inches |
|-----------------------|----------------|--------|
| Tooth Radius | r ₃ | 1.862 |
| Radius Width | C | 0.220 |
| Tooth Width | B ₁ | 0.924 |
| ROLLER-φ1.000" | | |

140-1 FOR 1 3/4" PITCH ANSI CHAIN

| SINGLE-TYPE B&C | | | | | | | SINGLE-TYPE A | | | |
|-----------------|-------------|--------|-------|-------|-----------------|----------------|---------------|-------------|------------|----------|
| TEETH NO. | CATALOG NO. | OD | BORE | | dm ₁ | A ₁ | WT LBS. | CATALOG NO. | STOCK BORE | WT. LBS. |
| | | | STOCK | MAX | | | | | | |
| 11 | S140B11 | 7.010 | 1 1/2 | 2 3/4 | 4 1/4 | 2 1/4 | 11.3 | 140A11 | 1 1/2 | 5.0 |
| 12 | S140B12 | 7.580 | 1 1/2 | 3 | 4 1/2 | 2 1/4 | 13.2 | 140A12 | 1 1/2 | 7.8 |
| 13 | S140B13 | 8.150 | 1 1/2 | 3 3/4 | 5 1/2 | 2 3/8 | 18.9 | 140A13 | 1 1/2 | 8.2 |
| 14 | S140B14 | 8.720 | 1 1/2 | 3 3/4 | 5 1/2 | 2 3/8 | 20.4 | 140A14 | 1 1/2 | 10.0 |
| 15 | S140B15 | 9.280 | 1 1/2 | 4 1/4 | 6 1/4 | 2 3/8 | 25.1 | 140A15 | 1 1/2 | 11.0 |
| 16 | S140B16 | 9.850 | 1 1/2 | 4 1/4 | 6 1/4 | 2 1/2 | 27.9 | 140A16 | 1 1/2 | 14.0 |
| 17 | S140B17 | 10.410 | 1 1/2 | 4 1/4 | 6 1/4 | 2 1/2 | 29.8 | 140A17 | 1 1/2 | 16.0 |
| 18 | S140B18 | 10.980 | 1 1/2 | 4 1/4 | 6 1/4 | 2 1/2 | 32.0 | 140A18 | 1 1/2 | 18.0 |
| 19 | S140B19 | 11.540 | 1 1/2 | 4 1/4 | 6 1/4 | 2 1/2 | 34.1 | 140A19 | 1 1/2 | 21.0 |
| 20 | S140B20 | 12.100 | 1 1/2 | 4 1/4 | 6 1/4 | 2 1/2 | 36.0 | 140A20 | 1 1/2 | 23.0 |
| 21 | S140B21 | 12.660 | 1 1/2 | 4 1/4 | 6 1/4 | 2 1/2 | 38.7 | 140A21 | 1 1/2 | 25.0 |
| 22 | S140B22 | 13.220 | 1 1/2 | 4 1/4 | 6 1/4 | 2 1/2 | 40.6 | 140A22 | 1 1/2 | 28.0 |
| 23 | S140B23 | 13.780 | 1 1/2 | 4 1/4 | 6 1/4 | 2 1/2 | 42.1 | 140A23 | 1 1/2 | 30.0 |
| 24 | S140B24 | 14.340 | 1 1/2 | 4 1/4 | 6 1/4 | 2 1/2 | 46.2 | 140A24 | 1 1/2 | 33.0 |
| 25 | S140B25 | 14.900 | 1 1/2 | 4 1/4 | 6 1/4 | 2 1/2 | 47.8 | 140A25 | 1 1/2 | 34.0 |
| 26 | S140B26 | 15.460 | 1 1/2 | 4 1/4 | 6 1/4 | 3 | 57.2 | 140A26 | 1 1/2 | 39.0 |
| 27 | S140B27 | 16.020 | 1 1/2 | 4 1/4 | 6 1/4 | 3 | 58.5 | 140A27 | 1 1/2 | 41.0 |
| 28 | S140B28 | 16.580 | 1 1/2 | 4 1/4 | 6 1/4 | 3 | 62.2 | 140A28 | 1 1/2 | 45.0 |
| 30 | S140B30 | 17.700 | 1 1/2 | 4 1/4 | 6 1/4 | 3 | 69.8 | 140A30 | 1 1/2 | 52.0 |
| 32 | S140B32 | 18.820 | 1 1/2 | 4 1/4 | 6 1/4 | 3 | 76.3 | 140A32 | 1 1/2 | 60.0 |
| 35 | S140C35 | 20.490 | 1 1/2 | 5 1/4 | 7 | 4 | 108 | 140A35 | 1 1/2 | 73.0 |
| 36 | | 21.050 | | | | | | 140A36 | 1 1/2 | 77.0 |
| 40 | S140C40 | 23.290 | 1 1/2 | 5 1/4 | 7 | 4 | 121 | 140A40 | 1 1/2 | 93.0 |
| 45 | S140C45 | 26.080 | 1 1/2 | 5 1/4 | 7 | 4 | 142 | 140A45 | 1 1/2 | 131 |
| 48 | S140C48 | 27.750 | 1 1/2 | 5 1/4 | 7 | 4 | 150 | 140A48 | 1 1/2 | 134 |
| 54 | S140C54 | 31.100 | 1 1/2 | 5 1/4 | 7 | 4 | 177 | 140A54 | 1 1/2 | 173 |
| 60 | S140C60 | 34.440 | 1 1/2 | 5 1/4 | 7 | 5 | 220 | 140A60 | 1 1/2 | 219 |
| 70 | S140C70 | 40.020 | 1 1/2 | 5 3/8 | 7 1/2 | 5 | 282 | 140A70 | 1 1/2 | 292 |
| 80 | S140C80 | 45.590 | 1 1/2 | 5 3/8 | 7 1/2 | 5 | 331 | 140A80 | 1 1/2 | 402 |

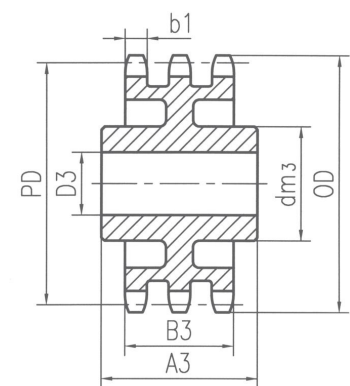
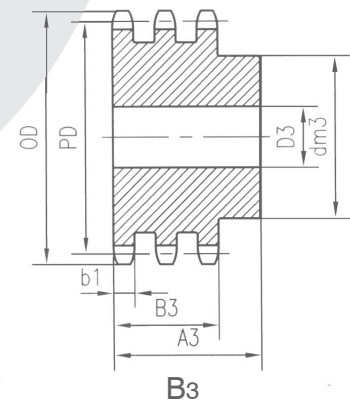
140-2 FOR 1 3/4" PITCH ANSI CHAIN

| TEETH NO. | CATALOG NO. | OD | TYPE | BORE | | HUB | | WT LBS. |
|-----------|-------------|--------|------|-------|--------|-------|-------|---------|
| | | | | STOCK | MAX | dm2 | A2 | |
| 13 | D140B13 | 8.150 | B2 | 1 5/8 | 3 5/16 | 5 | 3 3/4 | 29 |
| 14 | D140B14 | 8.720 | B2 | 1 5/8 | 3 3/4 | 5 1/2 | 3 3/4 | 34.8 |
| 15 | D140B15 | 9.280 | B2 | 1 5/8 | 4 1/2 | 6 1/2 | 3 3/4 | 42.5 |
| 16 | D140B16 | 9.850 | B2 | 1 5/8 | 5 1/4 | 7 | 4 | 48.1 |
| 17 | D140B17 | 10.410 | B2 | 1 5/8 | 5 1/4 | 7 | 4 | 57.5 |
| 18 | D140B18 | 10.980 | B2 | 1 3/4 | 5 1/4 | 7 | 4 | 65.6 |
| 19 | D140B19 | 11.540 | B2 | 1 3/4 | 5 1/4 | 7 | 4 | 72.0 |
| 20 | D140B20 | 12.100 | B2 | 1 3/4 | 5 1/4 | 7 | 4 | 76.0 |
| 21 | D140B21 | 12.660 | B2 | 1 3/4 | 5 1/4 | 7 | 4 | 82.0 |
| 22 | D140B22 | 13.220 | B2 | 1 3/4 | 5 1/4 | 7 | 4 | 94.0 |
| 23 | D140B23 | 13.780 | B2 | 1 3/4 | 5 1/4 | 7 | 4 | 100 |
| 24 | D140B24 | 14.340 | B2 | 1 3/4 | 5 1/4 | 7 | 4 | 104 |
| 25 | D140B25 | 14.900 | B2 | 1 3/4 | 5 1/4 | 7 | 4 | 120 |
| 26 | D140B26 | 15.460 | B2 | 1 3/4 | 5 1/4 | 7 | 4 | 128 |
| 35 | D140C35 | 20.490 | C2 | 1 1/2 | 5 3/8 | 7 1/2 | 6 | 180 |
| 45 | D140C45 | 26.080 | C2 | 1 1/2 | 5 3/8 | 7 1/2 | 6 | 232 |
| 60 | D140C60 | 34.440 | C2 | 1 1/2 | 6 3/8 | 9 1/2 | 6 1/2 | 372 |



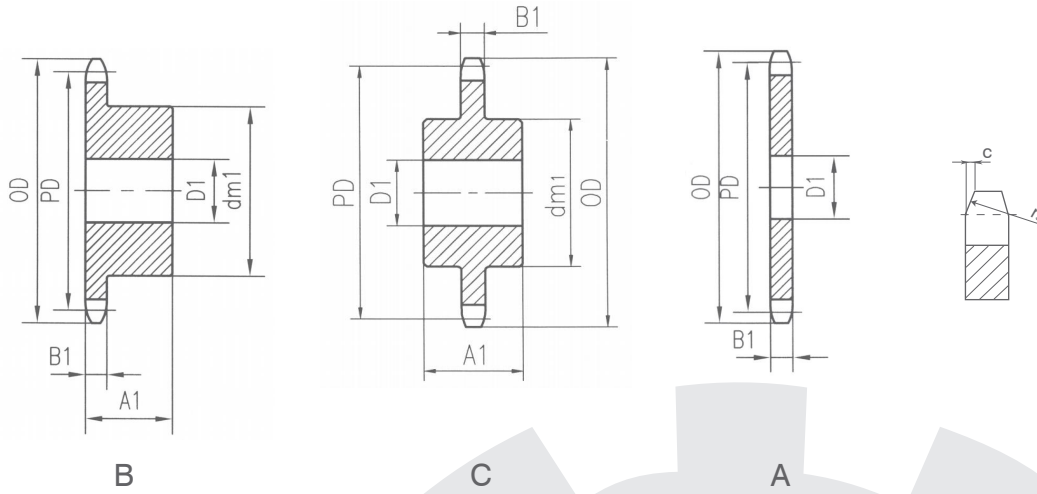
140-3 FOR 1 3/4" PITCH ANSI CHAIN

| TEETH NO. | CATALOG NO. | OD | TYPE | BORE | | HUB | | WT LBS. |
|-----------|-------------|--------|------|---------|--------|--------|-------|---------|
| | | | | STOCK | MAX | dm2 | A2 | |
| 11 | T140B11 | 7.070 | B3 | 1 5/8 | 2 1/2 | 4 3/16 | 5 3/4 | 31.6 |
| 12 | T140B12 | 7.580 | B3 | 1 5/8 | 2 3/4 | 4 3/4 | 5 3/4 | 39.3 |
| 13 | T140B13 | 8.150 | B3 | 1 5/8 | 3 | 5 | 5 7/8 | 47.7 |
| 14 | T140B14 | 8.720 | B3 | 1 5/8 | 3 3/8 | 5 1/2 | 5 7/8 | 56.9 |
| 15 | T140B15 | 9.280 | B3 | 1 5/8 | 4 3/4 | 6 1/2 | 5 7/8 | 70.1 |
| 16 | T140B16 | 9.850 | B3 | 1 11/16 | 4 3/4 | 7 | 6 | 80.4 |
| 17 | T140B17 | 10.410 | B3 | 1 11/16 | 4 3/4 | 7 1/4 | 6 | 91.3 |
| 18 | T140B18 | 10.980 | B3 | 2 3/16 | 4 3/4 | 7 1/4 | 6 | 99.3 |
| 19 | T140B19 | 11.540 | B3 | 2 3/16 | 4 3/4 | 7 1/4 | 6 | 111.0 |
| 20 | T140B20 | 12.100 | B3 | 2 3/16 | 4 3/4 | 7 1/4 | 6 | 122.0 |
| 21 | T140B21 | 12.660 | B3 | 2 3/16 | 4 3/4 | 7 1/4 | 6 | 135.0 |
| 22 | T140B22 | 13.220 | B3 | 2 3/16 | 4 3/4 | 7 1/4 | 6 | 148.0 |
| 23 | T140B23 | 13.780 | B3 | 2 3/16 | 4 3/4 | 7 1/4 | 6 | 162.0 |
| 24 | T140B24 | 14.340 | B3 | 2 3/16 | 4 3/4 | 7 1/4 | 6 | 176.0 |
| 25 | T140B25 | 14.900 | B3 | 2 3/16 | 4 3/4 | 7 1/4 | 6 | 190.0 |
| 26 | T140B26 | 15.460 | B3 | 2 3/16 | 4 3/4 | 7 1/4 | 6 | 207.0 |
| 28 | T140B28 | 16.580 | B3 | 2 3/16 | 4 3/4 | 7 1/4 | 6 | 241.0 |
| 30 | T140B30 | 17.700 | B3 | 2 3/16 | 4 3/4 | 7 1/4 | 6 | 277.0 |
| 32 | T140B32 | 18.820 | B3 | 2 15/16 | 5 | 7 1/2 | 6 1/4 | 315.0 |
| 35 | T140B35 | 20.490 | B3 | 2 15/16 | 5 | 7 1/2 | 6 1/4 | 377.0 |
| 36 | T140B36 | 21.050 | B3 | 2 15/16 | 5 1/2 | 8 | 6 1/4 | 399.0 |
| 40 | T140B40 | 23.290 | B3 | 2 15/16 | 5 1/2 | 8 | 6 1/4 | 498.0 |
| 45 | T140C45 | 26.080 | C3 | 2 15/16 | 5 1/2 | 8 | 6 1/4 | 282.0 |
| 48 | T140C48 | 27.750 | C3 | 2 15/16 | 5 1/2 | 8 | 6 1/4 | 305.0 |
| 50 | T140C50 | 28.870 | C3 | 2 15/16 | 5 3/4 | 8 1/2 | 6 1/2 | 323.0 |
| 54 | T140C54 | 31.100 | C3 | 2 15/16 | 5 3/4 | 8 1/2 | 6 1/2 | 369.0 |
| 60 | T140C60 | 34.440 | C3 | 2 15/16 | 5 3/4 | 8 1/2 | 6 1/2 | 410.0 |
| 63 | T140C63 | 36.110 | C3 | 2 15/16 | 6 7/16 | 9 3/8 | 7 | 439.0 |
| 70 | T140C70 | 40.020 | C3 | 2 15/16 | 6 7/16 | 9 3/8 | 7 | 540.0 |



S^{standard}B_{ore} Sprockets

160-1
2"X1 1/4"



| Pinions | | Inches |
|-----------------------|----------------|--------|
| Tooth Radius | r _s | 2.124 |
| Radius Width | C | 0.250 |
| Tooth Width | B ₁ | 1.156 |
| ROLLER-Ø1.125" | | |

160-1 FOR 2" PICTH ANSI CHAIN

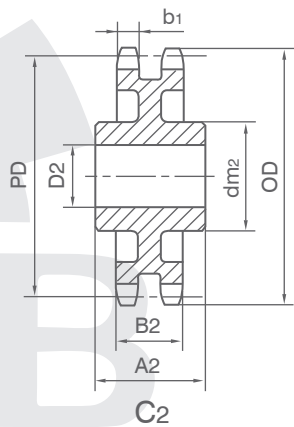
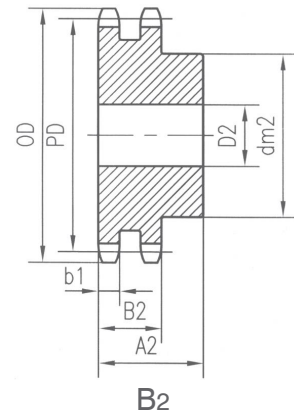
| SINGLE-TYPE B&C | | | | | | | SINGLE-TYPE A | | | |
|-----------------|-------------|--------|-------|-------|-------|-------|---------------|-------------|------------|---------|
| TEETH NO. | CATALOG NO. | OD | BORE | | HD | LTB | WT LBS | CATALOG NO. | STOCK BORE | WT. LES |
| | | | STOCK | MAX | | | | | | |
| 8 | S160B8 | 6.030 | 1 1/2 | 1 7/8 | 3 1/4 | 2 1/4 | 8.0 | 160A8 | 1 1/2 | 5.0 |
| 9 | S160B9 | 6.700 | 1 1/2 | 2 1/8 | 3 5/8 | 2 1/4 | 10.0 | 160A9 | 1 1/2 | 7.0 |
| 10 | S160B10 | 7.360 | 1 1/2 | 2 3/4 | 4 1/8 | 2 1/4 | 12.0 | 160A10 | 1 1/2 | 8.0 |
| 11 | S160B11 | 8.010 | 1 1/2 | 3 1/4 | 4 3/4 | 2 1/2 | 17.0 | 160A11 | 1 1/2 | 10.0 |
| 12 | S160B12 | 8.660 | 1 1/2 | 3 3/4 | 5 1/2 | 2 1/2 | 21.0 | 160A12 | 1 1/2 | 12.0 |
| 13 | S160B13 | 9.310 | 1 1/2 | 4 | 6 | 2 3/4 | 28.0 | 160A13 | 1 1/2 | 16.0 |
| 14 | S160B14 | 9.960 | 1 1/2 | 4 1/2 | 6 1/2 | 2 3/4 | 32.0 | 160A14 | 1 1/2 | 17.0 |
| 15 | S160B15 | 10.610 | 1 1/2 | 5 1/4 | 7 | 2 3/4 | 37.0 | 160A15 | 1 1/2 | 21.0 |
| 16 | S160B16 | 11.260 | 1 1/2 | 5 1/4 | 7 | 2 3/4 | 41.0 | 160A16 | 1 1/2 | 24.0 |
| 17 | S160B17 | 11.900 | 1 1/2 | 5 1/4 | 7 | 2 3/4 | 45.0 | 160A17 | 1 1/2 | 27.0 |
| 18 | S160B18 | 12.540 | 1 1/2 | 5 1/4 | 7 | 2 3/4 | 48.0 | 160A18 | 1 1/2 | 30.0 |
| 19 | S160B19 | 13.190 | 1 1/2 | 5 1/4 | 7 | 2 3/4 | 52.0 | 160A19 | 1 1/2 | 34.0 |
| 20 | S160B20 | 13.830 | 1 1/2 | 5 1/4 | 7 | 2 3/4 | 56.0 | 160A20 | 1 1/2 | 38.0 |
| 21 | S160B21 | 14.470 | 1 1/2 | 5 1/4 | 7 | 2 3/4 | 59.0 | 160A21 | 1 1/2 | 42.0 |
| 22 | S160B22 | 15.110 | 1 1/2 | 5 1/4 | 7 | 2 3/4 | 65.0 | 160A22 | 1 1/2 | 46.0 |
| 23 | S160B23 | 15.750 | 1 1/2 | 5 1/4 | 7 | 2 3/4 | 68.0 | 160A23 | 1 1/2 | 50.0 |
| 24 | S160B24 | 16.390 | 1 1/2 | 5 1/4 | 7 | 3 | 77.0 | 160A24 | 1 1/2 | 56.0 |
| 25 | S160B25 | 17.030 | 1 1/2 | 5 1/4 | 7 | 3 | 81.0 | 160A25 | 1 1/2 | 61.0 |
| 26 | S160B26 | 17.670 | 1 1/2 | 5 1/4 | 7 | 3 | 86.0 | 160A26 | 1 1/2 | 65.0 |
| 27 | S160B27 | 18.310 | 1 1/2 | 5 1/4 | 7 | 3 | 91.0 | 160A27 | 1 1/2 | 71.0 |
| 28 | S160B28 | 18.950 | 1 1/2 | 5 1/4 | 7 | 3 | 98.0 | 160A28 | 1 1/2 | 77.0 |
| 30 | S160B30 | 20.230 | 1 1/2 | 5 1/4 | 7 | 3 | 108 | 160A30 | 1 1/2 | 90.0 |
| 35 | S160C35 | 23.420 | 1 1/2 | 5 1/2 | 8 | 4 1/2 | 154 | 160A35 | 1 1/2 | 121 |
| 40 | S160C40 | 26.610 | 1 1/2 | 5 1/2 | 8 | 4 1/2 | 196 | 160A40 | 1 1/2 | 138 |
| 45 | S160C45 | 29.800 | 1 1/2 | 5 1/2 | 8 | 5 | 234 | 160A45 | 1 1/2 | 204 |
| 54 | S160C54 | 35.540 | 1 1/2 | 5 1/2 | 8 | 5 | 276 | 160A54 | 1 1/2 | 294 |
| 60 | S160C60 | 39.360 | 1 1/2 | 5 1/2 | 8 | 5 | 329 | 160A60 | 1 1/2 | 366 |
| 70 | S160C70 | 45.730 | 1 1/2 | 5 1/2 | 8 | 5 | 446 | 160A70 | 1 1/2 | 507 |
| 80 | S160C80 | 52.100 | 1 1/2 | 5 1/2 | 8 | 6 | 612 | 160A80 | 1 1/2 | 656 |

160

2"X1 1/4"

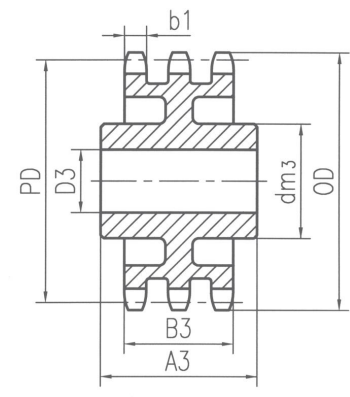
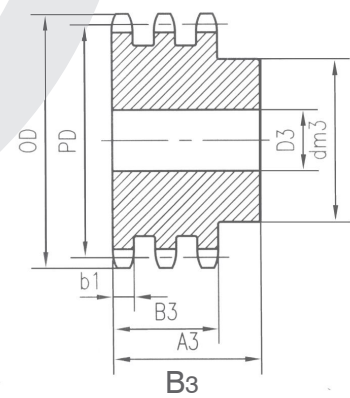
160-2 FOR 2" PITCH ANSI CHAIN

| TEETH NO. | CATALOG NO. | OD | TYPE | BORE | | HUB | | WT LBS. |
|-----------|-------------|--------|------|-------|------|------|------|---------|
| | | | | STOCK | MAX | dm2 | A2 | |
| 13 | D160B13 | 9.310 | B2 | 2 | 4 | 6 | 43/4 | 48 |
| 14 | D160B14 | 9.960 | B2 | 2 | 43/4 | 63/4 | 43/4 | 58 |
| 15 | D160B15 | 10.610 | B2 | 2 | 51/4 | 7 | 43/4 | 68 |
| 16 | D160B16 | 11.260 | B2 | 2 | 51/4 | 7 | 43/4 | 75 |
| 17 | D160B17 | 11.900 | B2 | 2 | 51/4 | 7 | 43/4 | 91 |
| 18 | D160B18 | 12.540 | B2 | 2 | 51/4 | 7 | 43/4 | 96 |
| 19 | D160B19 | 13.190 | B2 | 2 | 51/4 | 7 | 43/4 | 107 |
| 20 | D160B20 | 13.830 | B2 | 2 | 51/4 | 7 | 43/4 | 119 |
| 21 | D160B21 | 14.470 | B2 | 2 | 53/8 | 71/2 | 43/4 | 130 |
| 22 | D160B22 | 15.110 | B2 | 2 | 53/8 | 71/2 | 43/4 | 141 |
| 23 | D160B23 | 15.750 | B2 | 2 | 53/8 | 71/2 | 43/4 | 157 |
| 24 | D160B24 | 16.390 | B2 | 2 | 53/8 | 71/2 | 43/4 | 171 |
| 25 | D160B25 | 17.030 | B2 | 2 | 53/8 | 71/2 | 43/4 | 187 |
| 26 | D160B26 | 17.670 | B2 | 2 | 53/8 | 71/2 | 43/4 | 201 |
| 35 | D160C35 | 23.420 | C2 | 11/2 | 63/4 | 91/2 | 65/8 | 306 |
| 45 | D160C45 | 29.800 | C2 | 11/2 | 7 | 10 | 71/8 | 431 |
| 60 | D160C60 | 39.360 | C2 | 11/2 | 7 | 10 | 71/8 | 564 |



160-3 FOR 2" PITCH ANSI CHAIN

| TEETH NO. | CATALOG NO. | OD | TYPE | BORE | | HUB | | WT LBS. |
|-----------|-------------|--------|------|--------|--------|------|-------|---------|
| | | | | STOCK | MAX | dm3 | A3 | |
| 11 | T160B11 | 8.010 | B3 | 2 | 3 | 5 | 6 | 50.0 |
| 12 | T160B12 | 8.660 | B3 | 2 | 31/2 | 55/8 | 67/8 | 62.6 |
| 13 | T160B13 | 9.310 | B3 | 2 | 315/16 | 6 | 67/8 | 76.0 |
| 14 | T160B14 | 9.960 | B3 | 2 | 41/2 | 63/4 | 67/8 | 92.4 |
| 15 | T160B15 | 10.610 | B3 | 2 | 47/8 | 73/8 | 67/8 | 109.0 |
| 16 | T160B16 | 11.260 | B3 | 23/16 | 43/8 | 61/2 | 71/16 | 117.0 |
| 17 | T160B17 | 11.900 | B3 | 23/16 | 41/2 | 61/2 | 71/16 | 133.0 |
| 18 | T160B18 | 12.540 | B3 | 23/16 | 41/2 | 7 | 71/16 | 153.0 |
| 19 | T160B19 | 13.190 | B3 | 23/16 | 41/2 | 7 | 71/16 | 169.0 |
| 20 | T160B20 | 13.830 | B3 | 23/16 | 41/2 | 7 | 71/16 | 182.0 |
| 21 | T160B21 | 14.470 | B3 | 23/16 | 41/2 | 7 | 71/16 | 208.0 |
| 22 | T160B22 | 15.110 | B3 | 23/16 | 41/2 | 7 | 71/16 | 229.0 |
| 23 | T160B23 | 15.750 | B3 | 23/16 | 41/2 | 7 | 71/16 | 251.0 |
| 24 | T160B24 | 16.390 | B3 | 23/16 | 51/2 | 8 | 71/16 | 279.0 |
| 25 | T160B25 | 17.030 | B3 | 23/16 | 51/2 | 8 | 71/16 | 303.0 |
| 26 | T160B26 | 17.670 | B3 | 23/16 | 51/2 | 8 | 71/16 | 328.0 |
| 28 | T160B28 | 18.950 | B3 | 23/16 | 51/2 | 8 | 71/16 | 381.0 |
| 30 | T160B30 | 20.230 | B3 | 215/16 | 51/2 | 8 | 71/4 | 433.0 |
| 32 | T160B32 | 21.510 | B3 | 215/16 | 51/2 | 8 | 71/4 | 495.0 |
| 33 | T160B33 | 22.150 | B3 | 215/16 | 51/2 | 8 | 71/4 | 527.0 |
| 34 | T160B34 | 22.780 | B3 | 215/16 | 51/2 | 8 | 71/4 | 559.0 |
| 35 | T160B35 | 23.420 | B3 | 215/16 | 51/2 | 8 | 71/4 | 594.0 |
| 36 | T160B36 | 24.06 | B3 | 215/16 | 51/2 | 8 | 71/4 | 629.0 |
| 40 | T160C40 | 26.610 | C3 | 215/16 | 61/4 | 9 | 71/2 | 375.0 |
| 45 | T160C45 | 29.800 | C3 | 215/16 | 61/4 | 9 | 71/2 | 399.0 |
| 48 | T160C48 | 31.710 | C3 | 215/16 | 61/4 | 9 | 71/2 | 416.0 |
| 54 | T160C54 | 35.540 | C3 | 215/16 | 611/16 | 93/4 | 8 | 548.0 |



C3



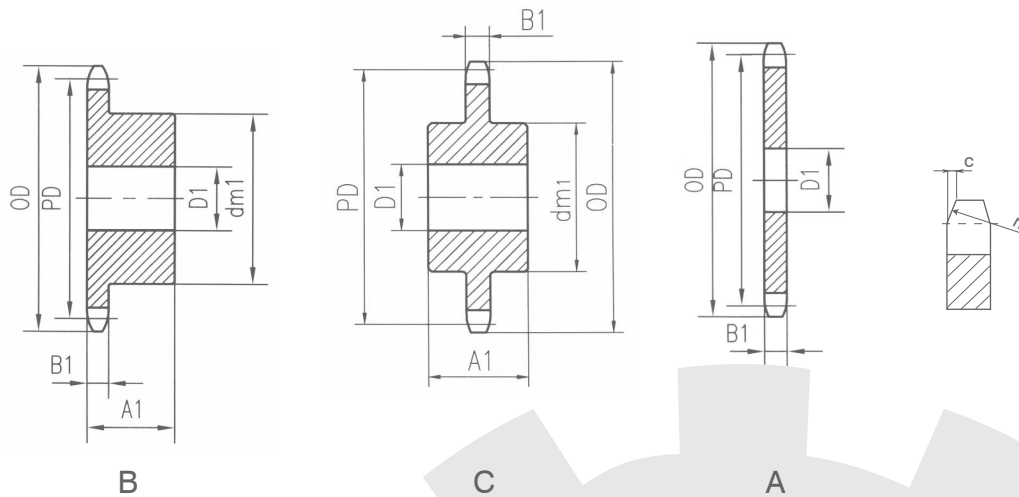
New Standard Power Transmission



Sprockets

180-1

2 1/2" X 1 13/32"



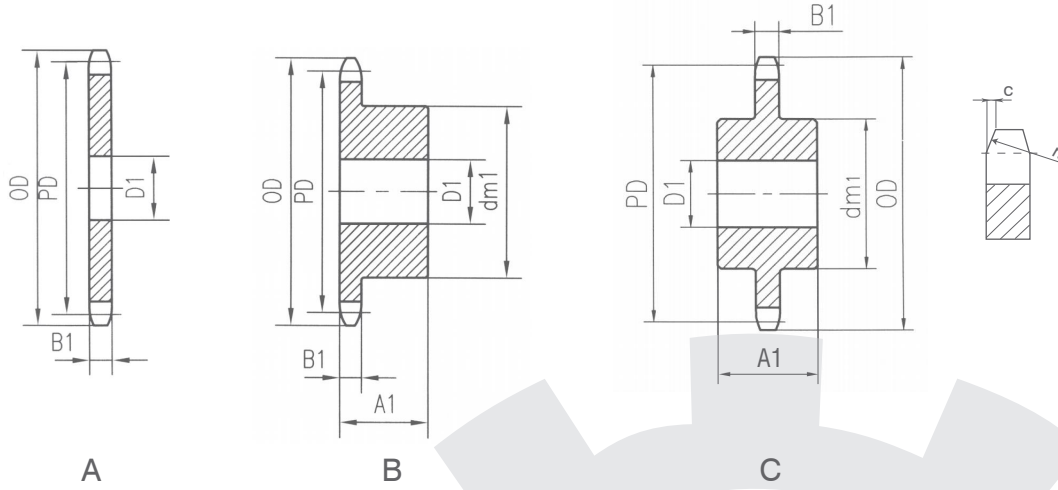
| Pinions | | Inches |
|-----------------------|----------------|--------|
| Tooth Radius | r ₃ | 2.392 |
| Radius Width | C | 0.281 |
| Tooth Width | B ₁ | 1.301 |
| ROLLER-Ø1.406" | | |

180-1 FOR 2 1/4" PICTH ANSI CHAIN

| SINGLE-TYPE B&C | | | | | | | | SINGLE-TYPE A | | |
|-----------------|-------------|--------|-------|-------|-------|-------|---------|---------------|------------|----------|
| TEETH NO. | CATALOG NO. | OD | BORE | | dm1 | A1 | WT LBS. | CATALOG NO. | STOCK BORE | WT. LBS. |
| | | | STOCK | MAX | | | | | | |
| 11 | S180B11 | 9.010 | 1 1/2 | 3 5/8 | 5 1/2 | 3 | 29 | 180A11 | 1 1/2 | 14 |
| 12 | S180B12 | 9.750 | 1 1/2 | 4 | 6 | 3 | 32 | 180A12 | 1 1/2 | 16 |
| 13 | S180B13 | 10.480 | 1 1/2 | 4 5/8 | 6 3/4 | 3 1/8 | 40 | 180A13 | 1 1/2 | 20 |
| 14 | S180B14 | 11.210 | 1 1/2 | 5 1/4 | 7 | 3 1/8 | 44 | 180A14 | 1 1/2 | 24 |
| 15 | S180B15 | 11.930 | 1 1/2 | 5 1/4 | 7 | 3 1/8 | 48 | 180A15 | 1 1/2 | 28 |
| 16 | S180B16 | 12.660 | 1 1/2 | 5 1/4 | 7 | 3 1/8 | 52 | 180A16 | 1 1/2 | 32 |
| 17 | S180B17 | 13.390 | 1 1/2 | 5 1/4 | 7 | 3 1/8 | 58 | 180A17 | 1 1/2 | 37 |
| 18 | S180B18 | 14.110 | 1 1/2 | 5 1/4 | 7 | 3 1/8 | 63 | 180A18 | 1 1/2 | 43 |
| 19 | S180B19 | 14.830 | 1 1/2 | 5 3/8 | 7 1/2 | 3 3/8 | 74 | 180A19 | 1 1/2 | 47 |
| 20 | S180B20 | 15.560 | 1 1/2 | 5 3/8 | 7 1/2 | 3 3/8 | 81 | 180A20 | 1 1/2 | 53 |
| 21 | S180B21 | 16.280 | 1 1/2 | 5 3/8 | 7 1/2 | 3 3/8 | 83 | 180A21 | 1 1/2 | 57 |
| 22 | S180B22 | 17.000 | 1 1/2 | 5 3/8 | 7 1/2 | 3 3/8 | 92 | 180A22 | 1 1/2 | 62 |
| 23 | S180B23 | 17.720 | 1 1/2 | 5 3/8 | 7 1/2 | 3 3/8 | 99 | 180A23 | 1 1/2 | 69 |
| 24 | S180B24 | 18.440 | 1 1/2 | 5 3/8 | 7 1/2 | 3 3/8 | 105 | 180A24 | 1 1/2 | 77 |
| 25 | S180B25 | 19.160 | 1 1/2 | 5 3/8 | 7 1/2 | 3 3/8 | 113 | 180A25 | 1 1/2 | 84 |
| 28 | S180B28 | 21.320 | 1 1/2 | 5 1/2 | 8 | 3 1/2 | 135 | 180A28 | 1 1/2 | 104 |
| 30 | S180C30 | 22.760 | 1 1/2 | 5 3/4 | 8 1/2 | 4 3/8 | 180 | 180A30 | 1 1/2 | 120 |
| 35 | S180C35 | 26.350 | 1 1/2 | 5 3/4 | 8 1/2 | 4 3/8 | 222 | 180A35 | 1 1/2 | 172 |
| 40 | S180C40 | 29.940 | 1 1/2 | 5 3/4 | 8 1/2 | 4 3/8 | 270 | 180A40 | 1 1/2 | 229 |
| 45 | S180C45 | 33.530 | 1 1/2 | 6 | 9 | 5 | 315 | 180A45 | 1 1/2 | 284 |
| 54 | S180C54 | 39.980 | 1 1/2 | 6 | 9 | 5 | 477 | 180A54 | 1 1/2 | 420 |
| 60 | S480C60 | 44.280 | 1 1/2 | 6 1/2 | 9 1/2 | 5 3/8 | 489 | 180A60 | 1 1/2 | 505 |

200-1

2 1/2" X 1 1/2"



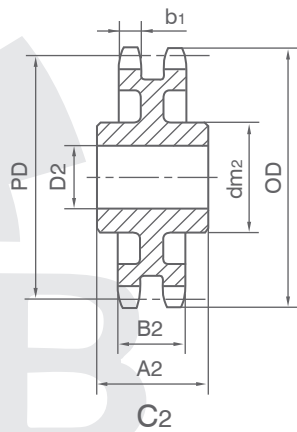
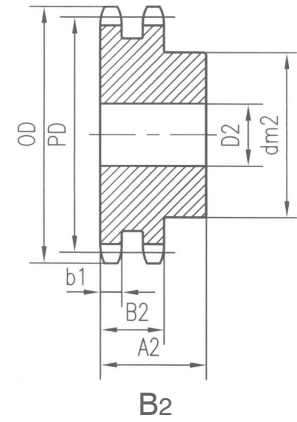
| Pinions | | Inches |
|---------------------------------------|-------|--------|
| Tooth Radius | r_s | 2.654 |
| Radius Width | C | 0.312 |
| Tooth Width | B_1 | 1.389 |
| ROLLER-ϕ1.562" | | |

200-1 FOR 2 1/2" PITCH ANSI CHAIN

| SINGLE-TYPE B&C | | | | | | | | SINGLE-TYPE A | | |
|-----------------|-------------|--------|-------|-------|-------|-------|---------|---------------|------------|----------|
| TEETH NO. | CATALOG NO. | OD | BORE | | dm1 | A1 | WT LBS. | CATALOG NO. | STOCK BORE | WT. LBS. |
| | | | STOCK | MAX | | | | | | |
| 10 | S200B10 | 9.200 | 1 1/2 | 3 3/4 | 5 1/2 | 3 | 26 | 200A10 | 1 1/2 | 16 |
| 11 | S200B11 | 10.020 | 1 1/2 | 4 | 6 | 3 | 33 | 200A11 | 1 1/2 | 20 |
| 12 | S200B12 | 10.830 | 1 1/2 | 4 1/2 | 6 1/2 | 3 | 37 | 200A12 | 1 1/2 | 24 |
| 13 | S200B13 | 11.640 | 1 1/2 | 5 1/4 | 7 | 3 | 46 | 200A13 | 1 1/2 | 30 |
| 14 | S200B14 | 12.460 | 1 1/2 | 5 3/8 | 7 1/2 | 3 1/2 | 59 | 200A14 | 1 1/2 | 32 |
| 15 | S200B15 | 13.260 | 1 1/2 | 5 3/8 | 7 1/2 | 3 1/2 | 64 | 200A15 | 1 1/2 | 40 |
| 16 | S200B16 | 14.070 | 1 1/2 | 5 3/8 | 7 1/2 | 3 1/2 | 72 | 200A16 | 1 1/2 | 46 |
| 17 | S200B17 | 14.870 | 1 1/2 | 5 3/8 | 7 1/2 | 3 1/2 | 76 | 200A17 | 1 1/2 | 51 |
| 18 | S200B18 | 15.680 | 1 1/2 | 5 3/8 | 7 1/2 | 3 1/2 | 84 | 200A18 | 1 1/2 | 57 |
| 19 | S200B19 | 16.480 | 1 1/2 | 5 3/8 | 7 1/2 | 3 1/2 | 91 | 200A19 | 1 1/2 | 65 |
| 20 | S200B20 | 17.290 | 1 1/2 | 5 3/8 | 7 1/2 | 3 1/2 | 98 | 200A20 | 1 1/2 | 72 |
| 21 | S200B21 | 18.090 | 1 1/2 | 5 3/8 | 7 1/2 | 3 1/2 | 106 | 200A21 | 1 1/2 | 82 |
| 22 | S200B22 | 18.890 | 1 1/2 | 5 3/4 | 8 1/2 | 4 | 131 | 200A22 | 1 1/2 | 88 |
| 23 | S200B23 | 19.690 | 1 1/2 | 5 3/4 | 8 1/2 | 4 | 136 | 200A23 | 1 1/2 | 95 |
| 24 | S200B24 | 20.490 | 1 1/2 | 5 3/4 | 8 1/2 | 4 | 142 | 200A24 | 1 1/2 | 105 |
| 25 | S200B25 | 21.290 | 1 1/2 | 5 3/4 | 8 1/2 | 4 | 153 | 200A25 | 1 1/2 | 113 |
| 26 | S200C26 | 22.090 | 1 1/2 | 5 3/4 | 8 1/2 | 4 1/2 | 178 | 200A26 | 1 1/2 | 124 |
| 28 | S200C28 | 23.690 | 1 1/2 | 5 3/4 | 8 1/2 | 4 1/2 | 195 | 200A28 | 1 1/2 | 144 |
| 30 | S200C30 | 25.290 | 1 1/2 | 5 3/4 | 8 1/2 | 4 1/2 | 212 | 200A30 | 1 1/2 | 167 |
| 32 | S200C32 | 26.880 | 1 1/2 | 5 3/4 | 8 1/2 | 4 1/2 | 220 | 200A32 | 1 1/2 | 195 |
| 35 | S200C35 | 29.280 | 1 1/2 | 5 3/4 | 8 1/2 | 4 1/2 | 254 | 200A35 | 1 1/2 | 227 |
| 40 | S200C40 | 33.270 | 1 1/2 | 6 | 9 | 5 | 320 | 200A40 | 1 1/2 | 301 |
| 45 | S200C45 | 37.250 | 1 1/2 | 6 | 9 | 5 | 364 | 200A45 | 1 1/2 | 390 |
| 54 | S200C54 | 44.420 | 1 1/2 | 6 1/2 | 9 1/2 | 5 1/2 | 512 | 200A54 | 1 1/2 | 555 |
| 60 | S200C60 | 49.200 | 1 1/2 | 6 1/2 | 9 1/2 | 5 1/2 | 654 | 200A60 | 1 1/2 | 692 |

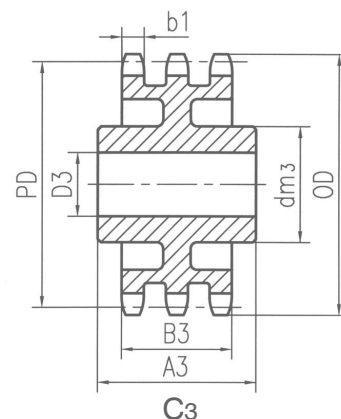
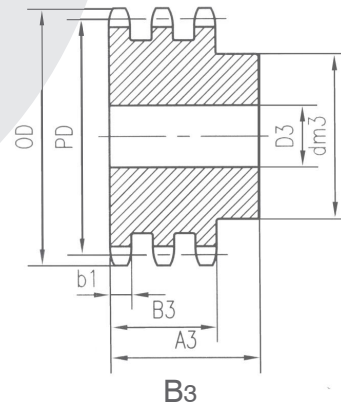
200-2 FOR 2 1/2" PITCH ANSI CHAIN

| TEETH NO. | CATALOG NO. | OD | TYPE | BORE | | HUB | | WT LBS. |
|-----------|-------------|--------|------|-------|-------|-------|-------|---------|
| | | | | STOCK | MAX | dm2 | A2 | |
| 11 | D200B11 | 10.020 | B2 | 2 | 3/4 | 5 1/2 | 5 7/8 | 57 |
| 12 | D200B12 | 10.830 | B2 | 2 | 4 1/2 | 6 1/2 | 6 1/4 | 80 |
| 13 | D200B13 | 11.640 | B2 | 2 | 5 1/4 | 7 | 6 3/8 | 96 |
| 14 | D200B14 | 12.460 | B2 | 2 | 5 1/2 | 8 | 6 3/8 | 119 |
| 15 | D200B15 | 13.260 | B2 | 2 | 5 3/4 | 8 1/2 | 6 3/8 | 138 |
| 16 | D200B16 | 14.070 | B2 | 2 | 5 3/4 | 8 1/2 | 6 5/8 | 161 |
| 17 | D200B17 | 14.870 | B2 | 2 | 5 3/4 | 8 1/2 | 6 5/8 | 178 |
| 18 | D200B18 | 15.680 | B2 | 2 | 5 3/4 | 8 1/2 | 6 5/8 | 196 |
| 19 | D200B19 | 16.480 | B2 | 2 | 5 3/4 | 8 1/2 | 6 5/8 | 217 |
| 20 | D200B20 | 17.290 | B2 | 2 | 5 3/4 | 8 1/2 | 6 5/8 | 236 |
| 21 | D200B21 | 18.090 | B2 | 2 | 5 3/4 | 8 1/2 | 6 5/8 | 250 |
| 22 | D200B22 | 18.890 | B2 | 2 | 5 3/4 | 8 1/2 | 6 5/8 | 284 |
| 23 | D200B23 | 19.690 | B2 | 2 | 5 3/4 | 8 1/2 | 6 5/8 | 308 |
| 24 | D200B24 | 20.490 | B2 | 2 | 5 3/4 | 8 1/2 | 6 5/8 | 330 |
| 25 | D200B25 | 21.290 | B2 | 2 | 5 3/4 | 8 1/2 | 6 5/8 | 358 |
| 26 | D200B26 | 22.090 | B2 | 2 | 5 3/4 | 8 1/2 | 6 5/8 | 386 |
| 45 | D200C45 | 37.250 | C2 | 1 1/2 | 7 | 10 | 8 1/2 | 665 |
| 60 | D200C60 | 49.200 | C2 | 1 1/2 | 7 | 10 | 9 | 972 |

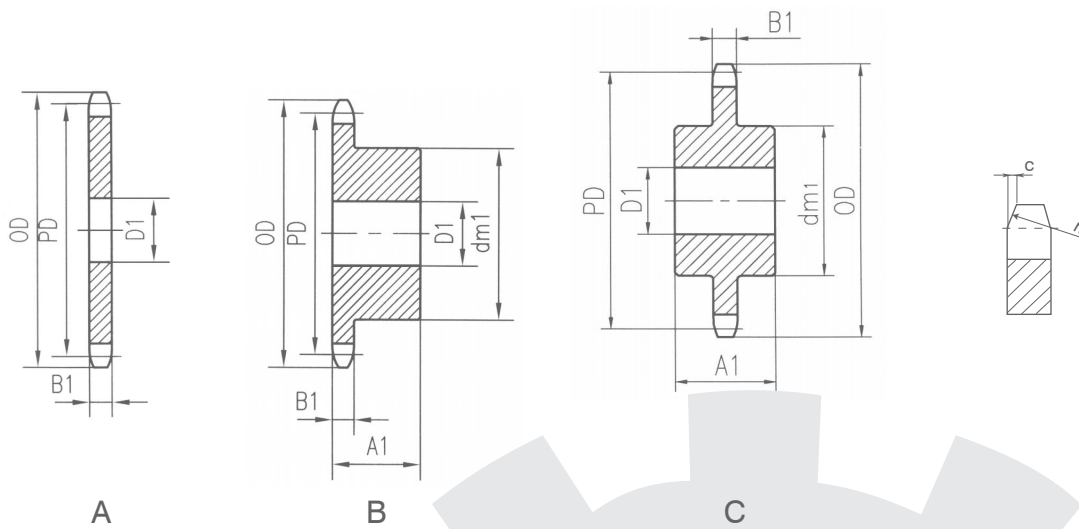


200-3 FOR 2 1/2" PITCH ANSI CHAIN

| TEETH NO. | CATALOG NO. | OD | TYPE | BORE | | HUB | | WT LBS. |
|-----------|-------------|--------|------|---------|---------|--------|-------|---------|
| | | | | STOCK | MAX | dm3 | A3 | |
| 11 | T200B11 | 10.020 | B3 | 23/16 | 3 15/16 | 6 | 8 1/4 | 95.0 |
| 12 | T200B12 | 10.830 | B3 | 23/16 | 4 1/4 | 6 3/4 | 8 1/4 | 118.0 |
| 13 | T200B13 | 11.640 | B3 | 23/16 | 5 | 7 1/2 | 8 1/4 | 143.0 |
| 14 | T200B14 | 12.460 | B3 | 23/16 | 5 | 7 1/2 | 8 1/4 | 167.0 |
| 15 | T200B15 | 13.260 | B3 | 23/16 | 5 1/2 | 8 | 8 1/4 | 195.0 |
| 16 | T200B16 | 14.070 | B3 | 23/16 | 5 1/2 | 8 | 8 1/4 | 223.0 |
| 17 | T200B17 | 14.870 | B3 | 23/16 | 5 1/2 | 8 | 8 1/4 | 252.0 |
| 18 | T200B18 | 15.680 | B3 | 23/16 | 5 1/2 | 8 | 8 1/4 | 284.0 |
| 19 | T200B19 | 16.480 | B3 | 23/16 | 5 1/2 | 8 | 8 1/4 | 318.0 |
| 20 | T200B20 | 17.290 | B3 | 23/16 | 5 1/2 | 8 | 8 1/4 | 353.0 |
| 21 | T200B21 | 18.090 | B3 | 23/16 | 6 1/4 | 9 | 8 1/4 | 396.0 |
| 22 | T200B22 | 18.890 | B3 | 23/16 | 6 1/4 | 9 | 8 1/4 | 435.0 |
| 23 | T200B23 | 19.690 | B3 | 23/16 | 6 1/4 | 9 | 8 1/4 | 427.0 |
| 24 | T200B24 | 20.490 | B3 | 23/16 | 6 1/4 | 9 | 8 1/4 | 520.0 |
| 25 | T200B25 | 21.290 | B3 | 23/16 | 6 1/4 | 9 | 8 1/4 | 566.0 |
| 26 | T200B26 | 22.090 | B3 | 23/16 | 6 1/4 | 9 | 8 1/4 | 613.0 |
| 27 | T200B27 | 22.890 | B3 | 23/16 | 6 1/4 | 9 | 8 1/4 | 663.0 |
| 28 | T200B28 | 23.690 | B3 | 23/16 | 6 1/4 | 9 | 8 1/4 | 714.0 |
| 29 | T200B29 | 24.490 | B3 | 23/16 | 6 1/4 | 9 | 8 1/4 | 767.0 |
| 30 | T200B30 | 25.290 | B3 | 2 15/16 | 6 11/16 | 9 3/4 | 8 1/2 | 825.0 |
| 31 | T200B31 | 26.090 | B3 | 2 15/16 | 6 11/16 | 9 3/4 | 8 1/2 | 882.0 |
| 32 | T200B32 | 26.880 | B3 | 2 15/16 | 6 11/16 | 9 3/4 | 8 1/2 | 941.0 |
| 34 | T200B34 | 28.480 | B3 | 2 15/16 | 6 11/16 | 9 3/4 | 8 1/2 | 1065.0 |
| 35 | T200B35 | 29.280 | B3 | 2 15/16 | 6 11/16 | 9 3/4 | 8 1/2 | 1130.0 |
| 36 | T200B36 | 30.080 | B3 | 2 15/16 | 6 11/16 | 9 3/4 | 8 1/2 | 1198.0 |
| 38 | T200B38 | 31.670 | B3 | 2 15/16 | 6 11/16 | 9 3/4 | 8 1/2 | 1343.0 |
| 40 | T200C40 | 33.270 | C3 | 2 15/16 | 7 3/8 | 10 1/2 | 8 1/2 | 676.0 |
| 42 | T200C42 | 34.860 | C3 | 2 15/16 | 7 3/8 | 10 1/2 | 8 1/2 | 726.0 |
| 45 | T200C45 | 37.250 | C3 | 2 15/16 | 7 3/8 | 10 1/2 | 8 1/2 | 792.0 |



240-1
3"X1 7/8"

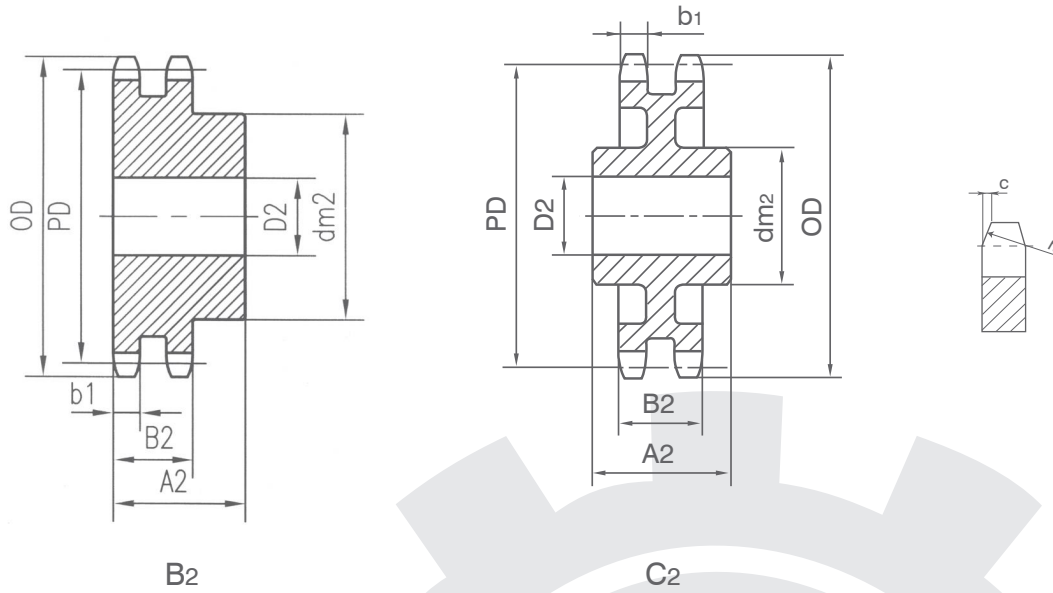


| Pinions | | Inches |
|-----------------------|----------------|--------|
| Tooth Radius | r ₃ | 2.890 |
| Radius Width | C | 0.366 |
| Tooth Width | B ₁ | 1.738 |
| ROLLER-φ1.875" | | |

240-1 FOR 3" PITCH ANSI CHAIN

| SINGLE-TYPE B&C | | | | | | | | SINGLE-TYPE A | | |
|-----------------|-------------|--------|-------|-------|-----------------|----------------|--------|---------------|------------|---------|
| TEETH NO. | CATALOG NO. | OD | BORE | | dm ₁ | A ₁ | WT LBS | CATALOG NO. | STOCK BORE | WT. LBS |
| | | | STOCK | MAX | | | | | | |
| 10 | S240B10 | 11.030 | 1 1/2 | 4 1/2 | 6 1/2 | 3 3/8 | 49 | 240A10 | 1 1/2 | 30 |
| 11 | S240B11 | 12.020 | 1 1/2 | 4 3/4 | 7 | 3 7/8 | 66 | 240A11 | 1 1/2 | 38 |
| 12 | S240B12 | 13.000 | 1 1/2 | 5 3/8 | 7 1/2 | 3 7/8 | 72 | 240A12 | 1 1/2 | 45 |
| 13 | S240B13 | 13.970 | 1 1/2 | 5 3/8 | 7 1/2 | 3 7/8 | 81 | 240A13 | 1 1/2 | 54 |
| 14 | S240B14 | 14.940 | 1 1/2 | 5 3/8 | 7 1/2 | 3 7/8 | 88 | 240A14 | 1 1/2 | 62 |
| 15 | S240B15 | 15.910 | 1 1/2 | 5 3/8 | 7 1/2 | 3 7/8 | 98 | 240A15 | 1 1/2 | 68 |
| 16 | S240B16 | 16.880 | 1 1/2 | 5 1/2 | 8 | 4 1/8 | 120 | 240A16 | 1 1/2 | 82 |
| 17 | S240B17 | 17.850 | 1 1/2 | 5 1/2 | 8 | 4 1/8 | 137 | 240A17 | 1 1/2 | 93 |
| 18 | S240B18 | 18.810 | 1 1/2 | 5 1/2 | 8 | 4 1/8 | 142 | 240A18 | 1 1/2 | 108 |
| 19 | S240B19 | 19.780 | 1 1/2 | 5 1/2 | 8 | 4 1/8 | 154 | 240A19 | 1 1/2 | 120 |
| 20 | S240B20 | 20.740 | 1 1/2 | 5 1/2 | 8 | 4 1/8 | 169 | 240A20 | 1 1/2 | 128 |
| 21 | S240B21 | 21.710 | 1 1/2 | 5 1/2 | 8 | 4 1/8 | 186 | 240A21 | 1 1/2 | 148 |
| 25 | S240B25 | 25.550 | 1 1/2 | 5 1/2 | 8 | 4 1/8 | 254 | 240A25 | 1 1/2 | 208 |
| 30 | S240C30 | 30.340 | 1 1/2 | 6 | 9 | 6 1/4 | 398 | 240A30 | 1 1/2 | 310 |
| 35 | S240C35 | 35.130 | 1 1/2 | 6 | 9 | 6 1/4 | 527 | 240A35 | 1 1/2 | 416 |
| 40 | S240C40 | 39.920 | 1 1/2 | 7 | 10 | 6 3/4 | 672 | 240A40 | 1 1/2 | 548 |
| 45 | S240C45 | 44.700 | 1 1/2 | 7 | 10 | 6 3/4 | 850 | 240A45 | 1 1/2 | 702 |
| 54 | S240C54 | 53.310 | 1 1/2 | 7 | 10 | 6 3/4 | 1148 | 240A54 | 1 1/2 | 1022 |
| 60 | S240C60 | 59.040 | 1 1/2 | 7 | 10 | 6 3/4 | 1419 | 240A60 | 1 1/2 | 1268 |

S^{standard}_{B_{ore}} Sprockets



240-2
3"X1 7/8"

| Pinions | | Inches |
|-----------------------|----------------|--------|
| Tooth Radius | r ₃ | 2.890 |
| Radius Width | C | 0.366 |
| Tooth Width | b ₁ | 1.682 |
| Tooth Width | B ₂ | 5.140 |
| ROLLER-φ1.875" | | |

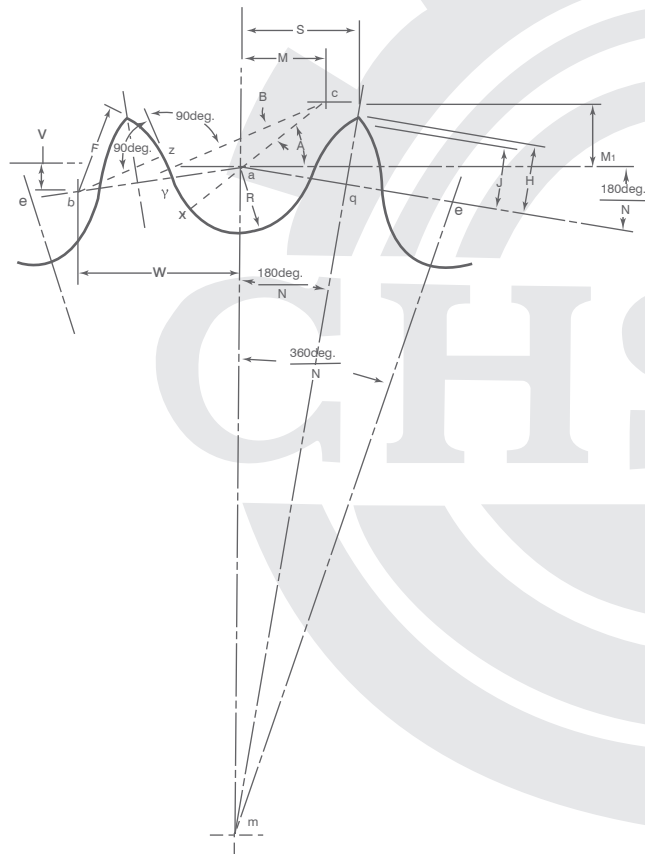
240-2 FOR 3" PICTH ANSI CHAIN

| TEETH NO. | CATALOG NO. | OD | TYPE | BORE | | HUB | | WT LBS. |
|-----------|-------------|-------|------|---------|-------|--------|-------|---------|
| | | | | STOCK | MAX | dm2 | A2 | |
| 12 | D240B12 | 13.00 | B2 | 23/16 | 5 1/2 | 8 | 6 1/2 | 140 |
| 13 | D240B13 | 13.97 | B2 | 2 13/16 | 5 1/2 | 8 | 6 3/4 | 169 |
| 14 | D240B14 | 14.94 | B2 | 2 13/16 | 5 1/2 | 8 | 6 3/4 | 197 |
| 15 | D240B15 | 15.91 | B2 | 2 13/16 | 5 1/2 | 8 | 6 3/4 | 228 |
| 16 | D240B16 | 16.88 | B2 | 2 7/16 | 6 1/4 | 9 | 7 | 265 |
| 17 | D240B17 | 17.85 | B2 | 2 7/16 | 6 1/4 | 9 | 7 | 300 |
| 18 | D240B18 | 18.81 | B2 | 2 7/16 | 6 1/4 | 9 | 7 | 338 |
| 19 | D240B19 | 19.78 | B2 | 2 7/16 | 6 1/4 | 9 | 7 | 378 |
| 20 | D240B20 | 20.74 | B2 | 2 7/16 | 6 1/4 | 9 | 7 | 420 |
| 21 | D240B21 | 21.71 | B2 | 2 7/16 | 6 1/4 | 9 | 7 | 465 |
| 22 | D240B22 | 22.66 | B2 | 2 7/16 | 6 1/4 | 9 | 7 | 512 |
| 23 | D240C23 | 23.63 | C2 | 2 7/16 | 6 1/4 | 9 | 7 | 359 |
| 24 | D240C24 | 24.59 | C2 | 2 7/16 | 6 1/4 | 9 | 7 | 375 |
| 25 | D240C25 | 25.55 | C2 | 2 7/16 | 6 1/4 | 9 | 7 | 397 |
| 26 | D240C26 | 26.51 | C2 | 2 7/16 | 6 1/2 | 9 1/2 | 7 1/2 | 435 |
| 27 | D240C27 | 27.47 | C2 | 2 7/16 | 6 1/2 | 9 1/2 | 7 1/2 | 452 |
| 28 | D240C28 | 28.43 | C2 | 2 7/16 | 6 1/2 | 9 1/2 | 7 1/2 | 522 |
| 30 | D240C30 | 30.34 | C2 | 2 15/16 | 6 1/2 | 9 1/2 | 7 1/2 | 540 |
| 32 | D240C32 | 32.13 | C2 | 2 15/16 | 7 3/8 | 10 1/2 | 8 | 574 |
| 35 | D240C35 | 35.13 | C2 | 2 15/16 | 7 3/8 | 10 1/2 | 8 | 640 |
| 36 | D240C36 | 35.95 | C2 | 2 15/16 | 7 3/8 | 10 1/2 | 8 | 660 |
| 40 | D240C40 | 39.92 | C2 | 2 15/16 | 7 3/8 | 10 1/2 | 8 | 775 |
| 44 | D240C44 | 43.62 | C2 | 2 15/16 | 8 1/4 | 11 3/4 | 9 | 931 |
| 45 | D240C45 | 44.70 | C2 | 2 15/16 | 8 1/4 | 11 3/4 | 9 | 953 |
| 48 | D240C48 | 47.45 | C2 | 2 15/16 | 8 1/4 | 11 3/4 | 9 | 1035 |
| 52 | D240C52 | 51.27 | C2 | 2 15/16 | 8 1/4 | 11 3/4 | 9 | 1014 |
| 54 | D240C54 | 53.31 | C2 | 2 15/16 | 8 1/4 | 11 3/4 | 9 | 1065 |
| 60 | D240C60 | 59.04 | C2 | 2 15/16 | 8 1/4 | 11 3/4 | 9 | 1185 |

Sprockets - Chain ANSI B29.1M-1993

The American Standard ANSI B29.1 stipulates that the theoretic tooth gap form. Precise roller chain sprocket is composed of three curves and a straight line. It conforms tooth gap form of ISO 606 international standard and is similar to the tooth gap form stipulated by Chinese Standard GB1244-1985.

calculating formula for tooth space and geometric feature



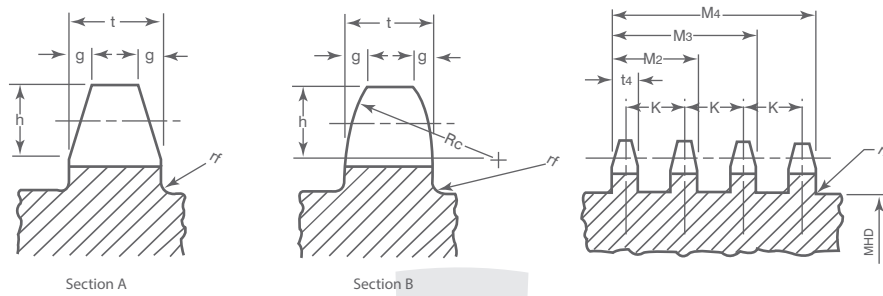
THEORETICAL TOOTH FORM

P-pitch
N- number of teeth
Dr- roller diameter

| Name | Code | Formula |
|-------------------------------------|-------|---|
| roller seating dia. | Ds | $D_s = 1.005D_r + 0.003, \text{in}$ |
| roller seating radius | R | $R = \frac{D_s}{2} 0.5025D_r + 0.0015, \text{in}$ |
| roller seating angle | A | $A = 35^\circ + \frac{60^\circ}{N}$ |
| working flank center angle | B | $B = 18^\circ - \frac{56^\circ}{N}$ |
| length of arc line segment | ac | $ac = 0.8Dr$ |
| working flank coordinate | M | $M = 0.8Dr \cos(35^\circ + \frac{60^\circ}{N})$ |
| working flank coordinate | M1 | $M_1 = 0.8Dr \sin(35^\circ + \frac{60^\circ}{N})$ |
| working flank radius | E(cy) | $E = 1.3025Dr + 0.0015 \text{in}$ |
| working flank chord length | XY | $XY = (2.605Dr + 0.003) \sin(9^\circ - \frac{28^\circ}{N}), \text{in}$ |
| YZ chord length | YZ | $YZ = Dr [1.4 \sin(17^\circ - \frac{64^\circ}{N}) - 0.8 \sin(18^\circ - \frac{56^\circ}{N})]$ |
| length of arc line segment | ab | $ab = 1.4Dr$ |
| tip center coordinate | W | $W = 1.4Dr \cos \frac{180^\circ}{N}$ |
| tip center coordinate | V | $V = 1.4Dr \sin \frac{180^\circ}{N}$ |
| tip radius | F | $F = Dr [0.8 \cos(18^\circ - \frac{56^\circ}{N}) + 1.4 \cos(17^\circ - \frac{64^\circ}{N}) - 1.3025] - 0.0015, \text{in}$ |
| height of tooth above pitch polygon | H | $H = \sqrt{F^2 - (1.4Dr - \frac{P}{2})^2}$ |
| tip side coordinate | S | $S = \frac{P}{2} \cos \frac{180^\circ}{N} + H \sin \frac{180^\circ}{N}$ |
| min.pressure angle | | $X_{ab} = 17^\circ - \frac{64^\circ}{N} + B$ |
| average pressure angle | | $26^\circ - \frac{92^\circ}{N}$ |
| roller seating space angle | | $100^\circ - \frac{120^\circ}{N}$ |

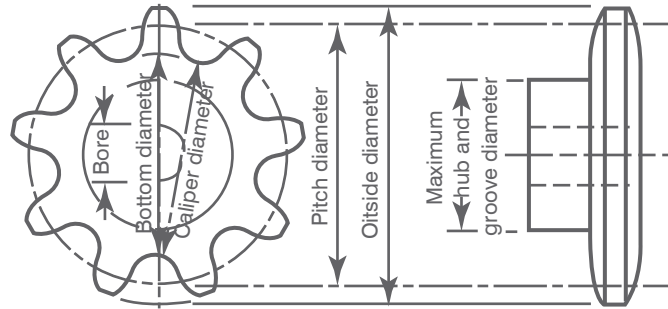
Sprockets - Chain ANSI B29.1M-1993

Sprocket Tooth Dimensions



| Chain Data All Sprockets | | | | single strand t and THR | Double and Triple | | | 4 Strands | | | | Minvs Tolerance on "1" and "M" Machina | Minvs Tolerance on THR | |
|---|---------|----------------|------------|-------------------------|-------------------|-------|-------|-----------|-------|-------|--------|--|------------------------|-------|
| A.S.A Chain No. | Pitch P | Roller Width W | Roller Dia | | t2 | M2 | M3 | t4 | M2 | M3 | M4 | | | K |
| STANDARD ROLLER CHAIN SPROCKETS SERIES | | | | | | | | | | | | | | |
| 25 | 1/4 | 1/8 | 0.130 | 0.110 | 0.107 | 0.359 | 0.611 | 0.096 | 0.348 | 0.600 | 0.852 | 0.252 | 0.007 | 0.021 |
| 35 | 3/8 | 3/16 | 0.200 | 0.168 | 0.162 | 0.561 | 0.960 | 0.149 | 0.548 | 0.947 | 1.346 | 0.399 | 0.008 | 0.027 |
| 41 | 1/2 | 1/4 | 0.306 | 0.227 | | | | | | | | | 0.009 | 0.032 |
| 40 | 1/2 | 5/16 | 0.312 | 0.284 | 0.275 | 0.841 | 1.407 | 0.256 | 0.822 | 1.388 | 1.954 | 0.566 | 0.009 | 0.035 |
| 50 | 5/8 | 3/8 | 0.400 | 0.343 | 0.332 | 1.045 | 1.758 | 0.311 | 1.024 | 1.737 | 2.450 | 0.713 | 0.010 | 0.036 |
| 60 | 3/4 | 1/2 | 0.469 | 0.459 | 0.444 | 1.341 | 2.238 | 0.418 | 1.315 | 2.212 | 3.108 | 0.897 | 0.011 | 0.036 |
| 80 | 1 | 5/8 | 0.625 | 0.575 | 0.557 | 1.700 | 2.863 | 0.526 | 1.679 | 2.832 | 3.985 | 1.153 | 0.012 | 0.040 |
| 100 | 1 1/4 | 3/4 | 0.750 | 0.692 | 0.669 | 2.077 | 3.484 | 0.633 | 2.041 | 3.449 | 4.857 | 1.408 | 0.014 | 0.046 |
| 120 | 1 1/2 | 1 | 0.875 | 0.924 | 0.894 | 2.683 | 4.472 | 0.848 | 2.637 | 4.426 | 6.215 | 1.789 | 0.016 | 0.057 |
| 140 | 1 3/4 | 1 | 1.000 | 0.924 | 0.894 | 2.818 | 4.472 | 0.848 | 2.772 | 4.696 | 6.620 | 1.924 | 0.016 | 0.057 |
| 160 | 2 | 1 1/4 | 1.125 | 1.156 | 1.119 | 3.424 | 5.729 | 1.063 | 3.368 | 5.673 | 7.978 | 2.305 | 0.019 | 0.062 |
| 180 | 2 1/4 | 1 13/32 | 1.406 | 1.301 | 1.259 | 3.851 | 6.443 | 1.197 | 3.789 | 6.381 | 8.973 | 2.592 | 0.020 | 0.068 |
| 200 | 2 1/2 | 1 1/2 | 1.562 | 1.389 | 1.344 | 4.161 | 6.978 | 1.278 | 4.095 | 6.912 | 9.729 | 2.817 | 0.021 | 0.072 |
| 240 | 3 | 1 7/8 | 1.875 | 1.738 | 1.682 | 5.140 | 8.498 | 1.601 | 5.059 | 8.517 | 11.975 | 3.458 | 0.025 | 0.087 |
| HEAVY CHAIN SPROCKETS SERIES | | | | | | | | | | | | | | |
| 60H | 0.750 | 0.500 | 0.469 | 0.459 | 0.444 | 1.472 | 2.500 | 0.418 | 1.446 | 2.474 | 3.502 | 1.028 | 0.011 | 0.036 |
| 80H | 1.000 | 0.625 | 0.625 | 0.575 | 0.557 | 1.840 | 3.123 | 0.526 | 1.809 | 3.092 | 4.375 | 1.283 | 0.012 | 0.040 |
| 100H | 1.250 | 0.750 | 0.750 | 0.692 | 0.669 | 2.208 | 3.747 | 0.633 | 2.172 | 3.711 | 5.250 | 1.539 | 0.014 | 0.046 |
| 120H | 1.500 | 1.000 | 0.875 | 0.924 | 0.894 | 2.818 | 4.742 | 0.848 | 2.772 | 4.696 | 6.620 | 1.924 | 0.016 | 0.057 |
| 140H | 1.750 | 1.000 | 1.000 | 0.924 | 0.894 | 2.949 | 5.004 | 0.848 | 2.903 | 4.958 | 7.013 | 2.055 | 0.016 | 0.057 |
| 160H | 2.000 | 1.250 | 1.125 | 1.156 | 1.119 | 3.555 | 5.991 | 1.063 | 3.499 | 5.935 | 8.371 | 2.436 | 0.019 | 0.062 |
| 180H | 2.250 | 1.406 | 1.406 | 1.301 | 1.259 | 3.982 | 6.705 | 1.197 | 3.920 | 6.643 | 9.366 | 2.723 | 0.020 | 0.068 |
| 200H | 2.500 | 1.500 | 1.562 | 1.389 | 1.344 | 4.427 | 7.510 | 1.278 | 4.361 | 7.444 | 10.527 | 3.083 | 0.021 | 0.072 |

Sprockets - Chain ANSI B29.1M-1993



SPROCKET DIAMETERS

Sprocket Diameter Formula

| Name | Code | Formulas | Note |
|--------------------------|------|--|--------------------------------|
| Pitch Reference Cylinder | PD | $PD = \frac{P}{\sin \frac{180^\circ}{N}}$ | P= pitch N= number of teeth |
| Tip Diameter | OD | $DO = P(0.6 + \text{ctg} \frac{180^\circ}{N})$ | |
| Root Diameter | BD | $BD = PD - Dr$ | Dr- roller diameter |
| Hub Diameter | MHD | $MHD = P(\text{ctg} \frac{180^\circ}{N} - 1) - 0.76$ | |

Checking method for tooth space accuracy:

When the actual height of tooth $J=0.3P$,
the approximate value of tip diameter is

$$P(0.6 + \text{tg} \frac{180^\circ}{N});$$

When $J=H$, the tip diameter is

$$P \text{ctg} \frac{180^\circ}{N} + \cos \frac{180^\circ}{N} (Ds - Dr) + 2H.$$

Standard ANSI B29.1M stipulate that the measurement of tooth space is to measure root diameter CD. CD nominal value should be:

even number of teeth

$$CD = PD - Dr = BD$$

odd number of teeth

$$CD = PD(\cos \frac{90^\circ}{N}) - Dr$$

Standard ANSI B29.1M stipulate the plus tolerance of CD is zero.

Reference should be made to table of CD value of tooth space for the selection of CD tolerance figure for sprockets of different pitches and preision.

Sprockets - Chain ANSI B29.1M-1993

Tolerance Table For Tooth Space CD Value ordinary grade

in Inches

| chain pitch P | Z | | | | | | | | | |
|------------------|-------|-------|-------|-------|-------|-------|-------|---------|---------|-------|
| | ≤15 | 16~24 | 25~35 | 36~48 | 49~63 | 64~80 | 81~99 | 100~120 | 121~143 | ≥144 |
| 1/4 (0.250) | 0.008 | 0.008 | 0.008 | 0.010 | 0.010 | 0.010 | 0.010 | 0.012 | 0.012 | 0.012 |
| 3/8 (0.375) | 0.008 | 0.008 | 0.008 | 0.010 | 0.010 | 0.012 | 0.012 | 0.012 | 0.014 | 0.014 |
| 1/2 (0.500) | 0.008 | 0.010 | 0.011 | 0.012 | 0.013 | 0.014 | 0.015 | 0.016 | 0.017 | 0.018 |
| 5/8 (0.625) | 0.010 | 0.011 | 0.012 | 0.014 | 0.016 | 0.018 | 0.018 | 0.018 | 0.020 | 0.022 |
| 3/4 (0.750) | 0.010 | 0.012 | 0.014 | 0.016 | 0.018 | 0.020 | 0.020 | 0.022 | 0.024 | 0.026 |
| 1 (1.000) | 0.012 | 0.014 | 0.016 | 0.018 | 0.020 | 0.022 | 0.024 | 0.026 | 0.028 | 0.030 |
| 1 1/4 (1.250) | 0.014 | 0.016 | 0.018 | 0.020 | 0.024 | 0.026 | 0.028 | 0.032 | 0.034 | 0.036 |
| 1 1/2 (1.500) | 0.014 | 0.018 | 0.021 | 0.024 | 0.026 | 0.030 | 0.032 | 0.036 | 0.038 | 0.042 |
| 1 3/4 (1.750) | 0.016 | 0.020 | 0.024 | 0.026 | 0.030 | 0.034 | 0.038 | 0.040 | 0.044 | 0.048 |
| 2 (2.000) | 0.018 | 0.022 | 0.026 | 0.030 | 0.034 | 0.038 | 0.042 | 0.046 | 0.050 | 0.054 |
| 2 1/4 (2.250) | 0.020 | 0.024 | 0.028 | 0.032 | 0.036 | 0.042 | 0.046 | 0.050 | 0.056 | 0.060 |
| 2 1/2 (2.500) | 0.020 | 0.026 | 0.030 | 0.036 | 0.040 | 0.046 | 0.050 | 0.056 | 0.060 | 0.066 |
| 3 (3.000) | 0.024 | 0.030 | 0.036 | 0.042 | 0.048 | 0.054 | 0.060 | 0.066 | 0.072 | 0.078 |

Tolerance Table For Tooth Space CD Value precision

in Inches

| chain pitch P | Z | | | | | | | | | |
|------------------|-------|-------|-------|-------|-------|-------|-------|---------|---------|-------|
| | ≤15 | 16~24 | 25~35 | 36~48 | 19~63 | 64~80 | 81~99 | 100~120 | 121~143 | ≥144 |
| 1/4 (0.250) | 0.004 | 0.004 | 0.004 | 0.005 | 0.005 | 0.005 | 0.005 | 0.006 | 0.006 | 0.006 |
| 3/8 (0.375) | 0.004 | 0.004 | 0.004 | 0.005 | 0.005 | 0.006 | 0.006 | 0.006 | 0.007 | 0.007 |
| 1/2 (0.500) | 0.004 | 0.005 | 0.006 | 0.006 | 0.007 | 0.007 | 0.008 | 0.008 | 0.009 | 0.009 |
| 5/8 (0.625) | 0.005 | 0.006 | 0.006 | 0.007 | 0.008 | 0.009 | 0.009 | 0.009 | 0.010 | 0.011 |
| 3/4 (0.750) | 0.005 | 0.006 | 0.007 | 0.008 | 0.009 | 0.010 | 0.010 | 0.011 | 0.012 | 0.013 |
| 1 (1.000) | 0.006 | 0.007 | 0.008 | 0.009 | 0.010 | 0.011 | 0.012 | 0.013 | 0.014 | 0.015 |
| 1 1/4 (1.250) | 0.007 | 0.008 | 0.009 | 0.010 | 0.012 | 0.013 | 0.014 | 0.016 | 0.017 | 0.018 |
| 1 1/2 (1.500) | 0.007 | 0.009 | 0.011 | 0.012 | 0.013 | 0.015 | 0.016 | 0.018 | 0.019 | 0.021 |
| 1 3/4 (1.750) | 0.008 | 0.010 | 0.012 | 0.013 | 0.015 | 0.017 | 0.019 | 0.020 | 0.022 | 0.024 |
| 2 (2.000) | 0.009 | 0.011 | 0.013 | 0.015 | 0.018 | 0.019 | 0.021 | 0.023 | 0.025 | 0.027 |
| 2 1/4 (2.250) | 0.010 | 0.012 | 0.014 | 0.016 | 0.019 | 0.021 | 0.023 | 0.025 | 0.028 | 0.030 |
| 2 1/2 (2.500) | 0.010 | 0.013 | 0.015 | 0.018 | 0.020 | 0.023 | 0.025 | 0.028 | 0.030 | 0.033 |
| 3 (3.000) | 0.012 | 0.015 | 0.018 | 0.021 | 0.024 | 0.027 | 0.030 | 0.033 | 0.036 | 0.039 |

Sprockets - Chain

Calculation for the center transmission distance

The center transmission distance can be calculated by involute function: $a = p(2L_p - Z_2 - Z_1)K_a$

P — chain pitch

L_p — number of links

Ka Coefficient Ka

| $\frac{L_p - Z_1}{Z_2 - Z_1}$ | Ka | $\frac{L_p - Z_1}{Z_2 - Z_1}$ | Ka | $\frac{L_p - Z_1}{Z_2 - Z_1}$ | Ka |
|-------------------------------|---------|-------------------------------|---------|-------------------------------|---------|
| 1.050 | 0.19245 | 1.122 | 0.20957 | 1.194 | 0.21927 |
| 1.052 | 0.19312 | 1.124 | 0.20991 | 1.196 | 0.21948 |
| 1.054 | 0.19378 | 1.126 | 0.21024 | 1.198 | 0.21969 |
| 1.056 | 0.19441 | 1.128 | 0.21057 | 1.200 | 0.21990 |
| 1.058 | 0.19504 | 1.130 | 0.21090 | 1.202 | 0.22011 |
| 1.060 | 0.19564 | 1.132 | 0.21122 | 1.204 | 0.22031 |
| 1.062 | 0.19624 | 1.134 | 0.21153 | 1.206 | 0.22051 |
| 1.064 | 0.19682 | 1.136 | 0.21184 | 1.208 | 0.22071 |
| 1.066 | 0.19739 | 1.138 | 0.21215 | 1.210 | 0.22090 |
| 1.068 | 0.19794 | 1.140 | 0.21245 | 1.212 | 0.22110 |
| 1.070 | 0.19848 | 1.142 | 0.21275 | 1.214 | 0.22129 |
| 1.072 | 0.19902 | 1.144 | 0.21304 | 1.216 | 0.22148 |
| 1.074 | 0.19954 | 1.146 | 0.21333 | 1.218 | 0.22167 |
| 1.076 | 0.20005 | 1.148 | 0.21361 | 1.220 | 0.22185 |
| 1.078 | 0.2005 | 1.150 | 0.21390 | 1.222 | 0.22185 |
| 1.080 | 0.20104 | 1.152 | 0.21417 | 1.224 | 0.22222 |
| 1.082 | 0.20152 | 1.154 | 0.21445 | 1.226 | 0.22240 |
| 1.084 | 0.20199 | 1.156 | 0.21472 | 1.228 | 0.22257 |
| 1.086 | 0.2046 | 1.158 | 0.21499 | 1.230 | 0.22275 |
| 1.088 | 0.20291 | 1.160 | 0.21525 | 1.232 | 0.22293 |
| 1.090 | 0.20336 | 1.162 | 0.21551 | 1.234 | 0.22310 |
| 1.092 | 0.20380 | 1.164 | 0.21577 | 1.236 | 0.22327 |
| 1.094 | 0.20423 | 1.166 | 0.21602 | 1.238 | 0.22344 |
| 1.096 | 0.20465 | 1.168 | 0.21627 | 1.240 | 0.22360 |
| 1.098 | 0.20507 | 1.170 | 0.21652 | 1.242 | 0.22377 |
| 1.100 | 0.20548 | 1.172 | 0.21677 | 1.244 | 0.22393 |
| 1.102 | 0.20588 | 1.174 | 0.21701 | 1.246 | 0.22410 |
| 1.104 | 0.20628 | 1.176 | 0.21725 | 1.248 | 0.22426 |
| 1.106 | 0.20667 | 1.178 | 0.21748 | 1.250 | 0.22442 |
| 1.108 | 0.20405 | 1.180 | 0.21772 | 1.252 | 0.22457 |
| 1.112 | 0.20780 | 1.184 | 0.21817 | 1.256 | 0.22488 |
| 1.114 | 0.20817 | 1.186 | 0.21840 | 1.258 | 0.22504 |
| 1.116 | 0.20852 | 1.188 | 0.21841 | 1.260 | 0.22519 |
| 1.118 | 0.20888 | 1.190 | 0.21884 | 1.262 | 0.22534 |
| 1.120 | 0.20923 | 1.192 | 0.21906 | 1.264 | 0.22548 |

Ka Coefficient Ka

| $\frac{L_p - Z_1}{Z_2 - Z_1}$ | Ka | $\frac{L_p - Z_1}{Z_2 - Z_1}$ | Ka | $\frac{L_p - Z_1}{Z_2 - Z_1}$ | Ka |
|-------------------------------|---------|-------------------------------|---------|-------------------------------|---------|
| 1.266 | 0.22563 | 1.46 | 0.23512 | 2.20 | 0.24552 |
| 1.268 | 0.22578 | 1.47 | 0.23556 | 2.25 | 0.24578 |
| 1.270 | 0.22592 | 1.48 | 0.23588 | 2.30 | 0.24602 |
| 1.272 | 0.22606 | 1.49 | 0.23618 | 2.35 | 0.24623 |
| 1.274 | 0.22621 | 1.50 | 0.23648 | 2.40 | 0.23643 |
| 1.276 | 0.22635 | 1.51 | 0.23677 | 2.45 | 0.24662 |
| 1.278 | 0.22648 | 1.52 | 0.23704 | 2.50 | 0.24679 |
| 1.280 | 0.22622 | 1.53 | 0.23731 | 2.55 | 0.24694 |
| 1.282 | 0.22676 | 1.54 | 0.23757 | 2.60 | 0.24709 |
| 1.284 | 0.22689 | 1.55 | 0.23782 | 2.65 | 0.24722 |
| 1.286 | 0.22703 | 1.56 | 0.23806 | 2.70 | 0.24735 |
| 1.288 | 0.22716 | 1.57 | 0.23830 | 2.75 | 0.24747 |
| 1.290 | 0.22729 | 1.58 | 0.23853 | 2.80 | 0.24758 |
| 1.292 | 0.22742 | 1.59 | 0.23875 | 2.85 | 0.24768 |
| 1.294 | 0.22755 | 1.60 | 0.23896 | 2.90 | 0.24778 |
| 1.296 | 0.22768 | 1.61 | 0.23917 | 2.95 | 0.24787 |
| 1.298 | 0.22780 | 1.62 | 0.23938 | 3.0 | 0.24795 |
| 1.300 | 0.22793 | 1.63 | 0.23957 | 3.1 | 0.24811 |
| 1.305 | 0.22824 | 1.64 | 0.23976 | 3.2 | 0.24825 |
| 1.310 | 0.22854 | 1.65 | 0.23995 | 3.3 | 0.24837 |
| 1.315 | 0.22883 | 1.66 | 0.24013 | 3.4 | 0.24848 |
| 1.320 | 0.22912 | 1.67 | 0.24031 | 3.5 | 0.24858 |
| 1.325 | 0.22941 | 1.68 | 0.24028 | 3.6 | 0.24887 |
| 1.330 | 0.22968 | 1.69 | 0.24065 | 3.7 | 0.24876 |
| 1.335 | 0.22955 | 1.70 | 0.24081 | 3.8 | 0.24883 |
| 1.340 | 0.23022 | 1.72 | 0.24112 | 3.9 | 0.24890 |
| 1.345 | 0.23048 | 1.74 | 0.24142 | 4.0 | 0.24896 |
| 1.350 | 0.23073 | 1.76 | 0.24170 | 4.1 | 0.24902 |
| 1.355 | 0.23098 | 1.78 | 0.24197 | 4.2 | 0.24907 |
| 1.360 | 0.23123 | 1.80 | 0.24222 | 4.3 | 0.24912 |
| 1.365 | 0.23146 | 1.82 | 0.24247 | 4.4 | 0.24916 |
| 1.370 | 0.23170 | 1.84 | 0.24270 | 4.5 | 0.24921 |
| 1.375 | 0.23193 | 1.86 | 0.24292 | 4.6 | 0.24924 |
| 1.380 | 0.23215 | 1.88 | 0.24313 | 4.7 | 0.24928 |
| 1.385 | 0.23238 | 1.90 | 0.24333 | 4.8 | 0.24931 |
| 1.390 | 0.23259 | 1.92 | 0.24335 | 4.9 | 0.24934 |
| 1.395 | 0.23281 | 1.94 | 0.24371 | 5.0 | 0.24937 |
| 1.40 | 0.23301 | 1.96 | 0.24388 | 5.5 | 0.24949 |
| 1.41 | 0.23342 | 1.98 | 0.24405 | 6.0 | 0.24958 |
| 1.42 | 0.23381 | 2.00 | 0.24421 | 7 | 0.24970 |
| 1.43 | 0.23419 | 2.05 | 0.24459 | 8 | 0.24977 |
| 1.44 | 0.23455 | 2.10 | 0.24493 | 9 | 0.24983 |
| 1.45 | 0.23490 | 2.15 | 0.24524 | 10 | 0.24986 |

when the figure of $\frac{L_p - Z_2}{Z_2 - Z_1}$ is between the two figures of listed table, K_a should be calculated by way of insertion.



New Standard Power Transmission

Sprockets - Chain

| Transmission Ratio Table $r = \frac{Z_2}{Z_1}$ | | | | | | | | | | | | | | | | | |
|--|----------------|-------|-------|-------|-------|------|------|------|------|------|------|------|------|------|------|------|------|
| Z ₂ | Z ₁ | | | | | | | | | | | | | | | | |
| Z _z | 8 | 9 | 10 | 11 | 12 | 13 | 14 | 15 | 16 | 17 | 18 | 19 | 20 | 21 | 22 | 23 | 24 |
| 8 | 1.00 | 0.89 | 0.80 | 0.73 | 0.67 | 0.62 | 0.57 | 0.53 | 0.50 | 0.47 | 0.44 | 0.42 | 0.40 | 0.38 | 0.36 | 0.35 | 0.33 |
| 9 | 1.13 | 1.00 | 0.90 | 0.82 | 0.75 | 0.69 | 0.64 | 0.60 | 0.56 | 0.53 | 0.50 | 0.47 | 0.45 | 0.43 | 0.41 | 0.39 | 0.38 |
| 10 | 1.25 | 1.11 | 1.00 | 0.91 | 0.83 | 0.77 | 0.71 | 0.67 | 0.63 | 0.59 | 0.56 | 0.53 | 0.50 | 0.48 | 0.45 | 0.43 | 0.42 |
| 11 | 1.38 | 1.22 | 1.10 | 1.00 | 0.92 | 0.85 | 0.79 | 0.73 | 0.69 | 0.65 | 0.61 | 0.58 | 0.55 | 0.52 | 0.50 | 0.48 | 0.46 |
| 12 | 1.50 | 1.33 | 1.20 | 1.09 | 1.00 | 0.92 | 0.86 | 0.80 | 0.75 | 0.71 | 0.67 | 0.63 | 0.60 | 0.57 | 0.55 | 0.52 | 0.50 |
| 13 | 1.63 | 1.44 | 1.30 | 1.18 | 1.08 | 1.00 | 0.93 | 0.87 | 0.81 | 0.76 | 0.72 | 0.68 | 0.65 | 0.62 | 0.59 | 0.57 | 0.54 |
| 14 | 1.75 | 1.56 | 1.40 | 1.27 | 1.17 | 1.08 | 1.00 | 0.93 | 0.88 | 0.82 | 0.78 | 0.74 | 0.70 | 0.67 | 0.64 | 0.61 | 0.58 |
| 15 | 1.88 | 1.67 | 1.50 | 1.36 | 1.25 | 1.15 | 1.07 | 1.00 | 0.94 | 0.88 | 0.83 | 0.79 | 0.75 | 0.71 | 0.68 | 0.65 | 0.63 |
| 16 | 2.00 | 1.78 | 1.60 | 1.40 | 1.33 | 1.23 | 1.14 | 1.07 | 1.00 | 0.94 | 0.89 | 0.84 | 0.80 | 0.76 | 0.73 | 0.70 | 0.67 |
| 17 | 2.13 | 1.89 | 1.70 | 1.55 | 1.42 | 1.31 | 1.21 | 1.13 | 1.06 | 1.00 | 0.94 | 0.89 | 0.85 | 0.81 | 0.77 | 0.74 | 0.71 |
| 18 | 2.25 | 2.00 | 1.80 | 1.64 | 1.50 | 1.38 | 1.29 | 1.20 | 1.13 | 1.06 | 1.00 | 0.95 | 0.90 | 0.86 | 0.82 | 0.78 | 0.75 |
| 19 | 2.38 | 2.11 | 1.90 | 1.73 | 1.58 | 1.46 | 1.36 | 1.27 | 1.19 | 1.12 | 1.06 | 1.00 | 0.95 | 0.90 | 0.86 | 0.83 | 0.79 |
| 20 | 2.50 | 2.22 | 2.00 | 1.82 | 1.67 | 1.54 | 1.43 | 1.33 | 1.25 | 1.18 | 1.11 | 1.05 | 1.00 | 0.95 | 0.91 | 0.87 | 0.83 |
| 21 | 2.63 | 2.33 | 2.10 | 1.91 | 1.75 | 1.62 | 1.50 | 1.40 | 1.31 | 1.24 | 1.17 | 1.11 | 1.05 | 1.00 | 0.95 | 0.91 | 0.83 |
| 22 | 2.75 | 2.44 | 2.20 | 2.00 | 1.83 | 1.69 | 1.57 | 1.47 | 1.38 | 1.29 | 1.22 | 1.16 | 1.10 | 1.05 | 1.00 | 0.96 | 0.92 |
| 23 | 2.88 | 2.56 | 2.30 | 2.09 | 1.92 | 1.77 | 1.64 | 1.53 | 1.44 | 1.35 | 1.28 | 1.21 | 1.15 | 1.10 | 1.05 | 1.00 | 0.96 |
| 24 | 3.00 | 2.67 | 2.40 | 2.18 | 2.00 | 1.85 | 1.71 | 1.60 | 1.50 | 1.41 | 1.33 | 1.26 | 1.20 | 1.14 | 1.09 | 1.04 | 1.00 |
| 25 | 3.13 | 2.78 | 2.50 | 2.27 | 2.08 | 1.92 | 1.79 | 1.67 | 1.56 | 1.47 | 1.39 | 1.32 | 1.25 | 1.19 | 1.14 | 1.09 | 1.04 |
| 26 | 3.25 | 2.89 | 2.60 | 2.36 | 2.17 | 2.00 | 1.86 | 1.73 | 1.63 | 1.53 | 1.44 | 1.37 | 1.30 | 1.24 | 1.18 | 1.13 | 1.08 |
| 27 | 3.38 | 3.00 | 2.70 | 2.46 | 2.25 | 2.08 | 1.93 | 1.80 | 1.69 | 1.59 | 1.50 | 1.42 | 1.35 | 1.29 | 1.23 | 1.17 | 1.13 |
| 28 | 3.50 | 3.11 | 2.80 | 2.55 | 2.33 | 2.15 | 2.00 | 1.87 | 1.75 | 1.65 | 1.56 | 1.47 | 1.40 | 1.33 | 1.27 | 1.22 | 1.17 |
| 29 | 3.63 | 3.22 | 2.90 | 2.64 | 2.42 | 2.23 | 2.07 | 1.93 | 1.81 | 1.71 | 1.61 | 1.53 | 1.45 | 1.38 | 1.32 | 1.26 | 1.21 |
| 30 | 3.75 | 3.33 | 3.00 | 2.73 | 2.50 | 2.31 | 2.17 | 2.00 | 1.88 | 1.76 | 1.67 | 1.58 | 1.50 | 1.43 | 1.36 | 1.30 | 1.25 |
| 31 | 3.88 | 3.44 | 3.10 | 2.82 | 2.58 | 2.38 | 2.21 | 2.07 | 1.94 | 1.82 | 1.72 | 1.63 | 1.55 | 1.48 | 1.41 | 1.35 | 1.29 |
| 32 | 4.00 | 3.56 | 3.20 | 2.91 | 2.67 | 2.46 | 2.29 | 2.13 | 2.00 | 1.88 | 1.78 | 1.68 | 1.60 | 1.52 | 1.45 | 1.39 | 1.33 |
| 33 | 4.13 | 3.67 | 3.30 | 3.00 | 2.75 | 2.54 | 2.36 | 2.20 | 2.06 | 1.94 | 1.83 | 1.74 | 1.65 | 1.57 | 1.50 | 1.43 | 1.38 |
| 34 | 4.25 | 3.78 | 3.40 | 3.09 | 2.83 | 2.62 | 2.43 | 2.27 | 2.13 | 2.00 | 1.89 | 1.79 | 1.70 | 1.62 | 1.55 | 1.48 | 1.42 |
| 35 | 4.38 | 3.89 | 3.50 | 3.18 | 2.92 | 2.69 | 2.50 | 2.33 | 2.19 | 2.06 | 1.94 | 1.84 | 1.75 | 1.67 | 1.59 | 1.52 | 1.46 |
| 36 | 4.50 | 4.00 | 3.60 | 3.27 | 3.00 | 2.77 | 2.57 | 2.40 | 2.25 | 2.12 | 2.00 | 1.89 | 1.80 | 1.71 | 1.64 | 1.57 | 1.50 |
| 37 | 4.63 | 4.11 | 3.70 | 3.36 | 3.08 | 2.85 | 2.64 | 2.47 | 2.31 | 2.18 | 2.06 | 1.95 | 1.85 | 1.76 | 1.68 | 1.61 | 1.54 |
| 38 | 4.75 | 4.22 | 3.80 | 3.46 | 3.17 | 2.92 | 2.71 | 2.53 | 2.38 | 2.24 | 2.11 | 2.00 | 1.90 | 1.81 | 1.73 | 1.65 | 1.58 |
| 39 | 4.88 | 4.33 | 3.90 | 3.55 | 3.25 | 3.00 | 2.79 | 2.60 | 2.44 | 2.29 | 2.17 | 2.05 | 1.95 | 1.86 | 1.77 | 1.70 | 1.63 |
| 40 | 5.00 | 4.44 | 4.00 | 3.64 | 3.33 | 3.08 | 2.86 | 2.67 | 2.50 | 2.35 | 2.22 | 2.11 | 2.00 | 1.90 | 1.82 | 1.74 | 1.67 |
| 41 | 5.13 | 4.56 | 4.10 | 3.73 | 3.42 | 3.15 | 2.93 | 2.73 | 2.56 | 2.41 | 2.28 | 2.16 | 2.05 | 1.95 | 1.86 | 1.78 | 1.71 |
| 42 | 5.25 | 4.67 | 4.20 | 3.82 | 3.50 | 3.23 | 3.00 | 2.80 | 2.63 | 2.47 | 2.33 | 2.21 | 2.10 | 2.00 | 1.91 | 1.83 | 1.75 |
| 43 | 5.38 | 4.78 | 4.30 | 3.91 | 3.58 | 3.31 | 3.17 | 2.87 | 2.69 | 2.53 | 2.39 | 2.26 | 2.15 | 2.05 | 1.95 | 1.87 | 1.79 |
| 44 | 5.50 | 4.89 | 4.40 | 4.00 | 3.67 | 3.38 | 3.14 | 2.93 | 2.75 | 2.59 | 2.44 | 2.32 | 2.20 | 2.10 | 2.00 | 1.91 | 1.83 |
| 45 | 5.63 | 5.00 | 4.50 | 4.09 | 3.75 | 3.46 | 3.21 | 3.00 | 2.81 | 2.65 | 2.50 | 2.37 | 2.25 | 2.14 | 2.05 | 1.96 | 1.88 |
| 46 | 5.75 | 5.11 | 4.60 | 4.18 | 3.83 | 3.54 | 3.29 | 3.07 | 2.88 | 2.71 | 2.56 | 2.42 | 2.30 | 2.19 | 2.09 | 2.00 | 1.92 |
| 47 | 5.88 | 5.22 | 4.70 | 4.27 | 3.92 | 3.62 | 3.36 | 3.13 | 2.94 | 2.76 | 2.61 | 2.47 | 2.35 | 2.24 | 2.14 | 2.04 | 1.96 |
| 48 | 6.00 | 5.33 | 4.80 | 4.36 | 4.00 | 3.69 | 3.43 | 3.20 | 3.00 | 2.82 | 2.67 | 2.53 | 2.40 | 2.29 | 2.18 | 2.09 | 2.00 |
| 49 | 6.13 | 5.44 | 4.90 | 4.46 | 4.08 | 3.77 | 3.50 | 3.27 | 3.06 | 2.88 | 2.72 | 2.58 | 2.45 | 2.33 | 2.23 | 2.13 | 2.04 |
| 50 | 6.25 | 5.56 | 5.00 | 4.55 | 4.17 | 3.85 | 3.57 | 3.33 | 3.13 | 2.94 | 2.78 | 2.63 | 2.50 | 2.38 | 2.27 | 2.17 | 2.08 |
| 51 | 6.38 | 5.67 | 5.10 | 4.64 | 4.25 | 3.92 | 3.64 | 3.40 | 3.19 | 3.00 | 2.83 | 2.68 | 2.55 | 2.43 | 2.32 | 2.22 | 2.13 |
| 52 | 6.50 | 5.78 | 5.20 | 4.73 | 4.33 | 4.00 | 3.71 | 3.47 | 3.25 | 3.06 | 2.89 | 2.74 | 2.60 | 2.48 | 2.36 | 2.26 | 2.17 |
| 53 | 6.63 | 5.89 | 5.30 | 4.82 | 4.42 | 4.08 | 3.79 | 3.53 | 3.31 | 3.12 | 2.94 | 2.79 | 2.65 | 2.52 | 2.41 | 2.30 | 2.21 |
| 54 | 6.75 | 6.00 | 5.40 | 4.91 | 4.50 | 4.15 | 3.86 | 3.60 | 3.38 | 3.18 | 3.00 | 2.84 | 2.70 | 2.57 | 2.45 | 2.35 | 2.25 |
| 55 | 6.88 | 6.11 | 5.50 | 5.00 | 4.58 | 4.23 | 3.93 | 3.67 | 3.44 | 3.24 | 3.06 | 2.89 | 2.75 | 2.62 | 2.50 | 2.39 | 2.29 |
| 56 | 7.00 | 6.22 | 5.60 | 5.09 | 4.67 | 4.31 | 4.00 | 3.73 | 3.50 | 3.29 | 3.11 | 2.95 | 2.80 | 2.67 | 2.55 | 2.43 | 2.33 |
| 57 | 7.13 | 6.33 | 5.70 | 5.18 | 4.75 | 4.38 | 4.07 | 3.80 | 3.56 | 3.35 | 3.17 | 3.00 | 2.85 | 2.71 | 2.59 | 2.48 | 2.38 |
| 58 | 7.25 | 6.44 | 5.80 | 5.27 | 4.83 | 4.46 | 4.14 | 3.87 | 3.63 | 3.41 | 3.22 | 3.05 | 2.90 | 2.76 | 2.64 | 2.52 | 2.42 |
| 60 | 7.50 | 6.67 | 6.00 | 5.45 | 5.00 | 4.62 | 4.29 | 4.00 | 3.75 | 3.53 | 3.33 | 3.16 | 3.00 | 2.86 | 2.73 | 2.61 | 2.50 |
| 62 | 7.75 | 6.89 | 6.20 | 5.64 | 5.17 | 4.77 | 4.43 | 4.13 | 3.88 | 3.65 | 3.44 | 3.26 | 3.10 | 2.95 | 2.82 | 2.70 | 2.58 |
| 63 | 7.88 | 7.00 | 6.30 | 5.73 | 5.25 | 4.85 | 4.50 | 4.20 | 3.94 | 3.71 | 3.50 | 3.32 | 3.15 | 3.00 | 2.86 | 2.74 | 2.63 |
| 64 | 8.00 | 7.11 | 6.40 | 5.82 | 5.33 | 4.92 | 4.57 | 4.27 | 4.00 | 3.76 | 3.56 | 3.37 | 3.20 | 3.05 | 2.90 | 2.78 | 2.67 |
| 65 | 8.13 | 7.22 | 6.50 | 5.91 | 5.42 | 5.00 | 4.64 | 4.33 | 4.06 | 3.82 | 3.61 | 3.42 | 3.25 | 3.10 | 2.95 | 2.83 | 2.71 |
| 66 | 8.25 | 7.33 | 6.60 | 6.00 | 5.50 | 5.08 | 4.71 | 4.40 | 4.13 | 3.88 | 3.67 | 3.47 | 3.30 | 3.14 | 3.00 | 2.87 | 2.75 |
| 68 | 8.50 | 7.56 | 6.80 | 6.18 | 5.67 | 5.23 | 4.86 | 4.53 | 4.25 | 4.00 | 3.78 | 3.58 | 3.40 | 3.24 | 3.09 | 2.96 | 2.83 |
| 70 | 8.75 | 7.78 | 7.00 | 6.36 | 5.83 | 5.38 | 5.00 | 4.67 | 4.38 | 4.12 | 3.89 | 3.68 | 3.50 | 3.33 | 3.18 | 3.04 | 2.92 |
| 72 | 9.00 | 8.00 | 7.20 | 6.55 | 6.00 | 5.54 | 5.14 | 4.80 | 4.50 | 4.24 | 4.00 | 3.79 | 3.60 | 3.43 | 3.27 | 3.13 | 3.00 |
| 75 | 9.38 | 8.33 | 7.50 | 6.82 | 6.25 | 5.77 | 5.36 | 5.00 | 4.69 | 4.41 | 4.17 | 3.95 | 3.75 | 3.57 | 3.41 | 3.26 | 3.13 |
| 76 | 9.50 | 8.44 | 7.60 | 6.91 | 6.33 | 5.85 | 5.43 | 5.07 | 4.75 | 4.47 | 4.22 | 4.00 | 3.80 | 3.62 | 3.45 | 3.30 | 3.17 |
| 78 | 9.75 | 8.67 | 7.80 | 7.09 | 6.50 | 6.00 | 5.57 | 5.20 | 4.88 | 4.59 | 4.33 | 4.11 | 3.90 | 3.71 | 3.55 | 3.39 | 3.25 |
| 80 | 10.00 | 8.89 | 8.00 | 7.27 | 6.67 | 6.15 | 5.71 | 5.33 | 5.00 | 4.71 | 4.44 | 4.21 | 4.00 | 3.81 | 3.64 | 3.48 | 3.33 |
| 85 | 10.63 | 9.44 | 8.50 | 7.73 | 7.08 | 6.54 | 6.07 | 5.67 | 5.31 | 5.00 | 4.72 | 4.47 | 4.25 | 4.05 | 3.86 | 3.70 | 3.54 |
| 90 | 11.25 | 10.00 | 9.00 | 8.18 | 7.50 | 6.92 | 6.43 | 6.00 | 5.63 | 5.29 | 5.00 | 4.74 | 4.50 | 4.29 | 4.09 | 3.91 | 3.75 |
| 95 | 11.88 | 10.56 | 9.50 | 8.64 | 7.92 | 7.31 | 6.79 | 6.33 | 5.94 | 5.59 | 5.28 | 5.00 | 4.75 | 4.52 | 4.32 | 4.13 | 3.96 |
| 96 | 12.00 | 10.67 | 9.60 | 8.73 | 8.00 | 7.38 | 6.86 | 6.40 | 6.00 | 5.65 | 5.33 | 5.05 | 4.80 | 4.57 | 4.36 | 4.17 | 4.00 |
| 100 | 12.50 | 11.11 | 10.00 | 9.09 | 8.33 | 7.69 | 7.14 | 6.67 | 6.25 | 5.88 | 5.56 | 5.26 | 5.00 | 4.71 | 4.55 | 4.35 | 4.17 |
| 114 | 14.25 | 12.67 | 11.40 | 9.36 | 9.50 | 8.77 | 8.14 | 7.60 | 7.13 | 6.71 | 6.33 | 6.00 | 5.70 | 5.43 | 5.18 | 4.96 | 4.75 |
| 125 | 15.63 | 13.89 | 12.50 | 11.36 | 10.42 | 9.42 | 8.93 | 8.33 | 7.81 | 7.35 | 6.94 | 6.58 | 6.25 | 5.95 | 5.68 | 5.43 | 5.21 |



New Standard Power Transmission

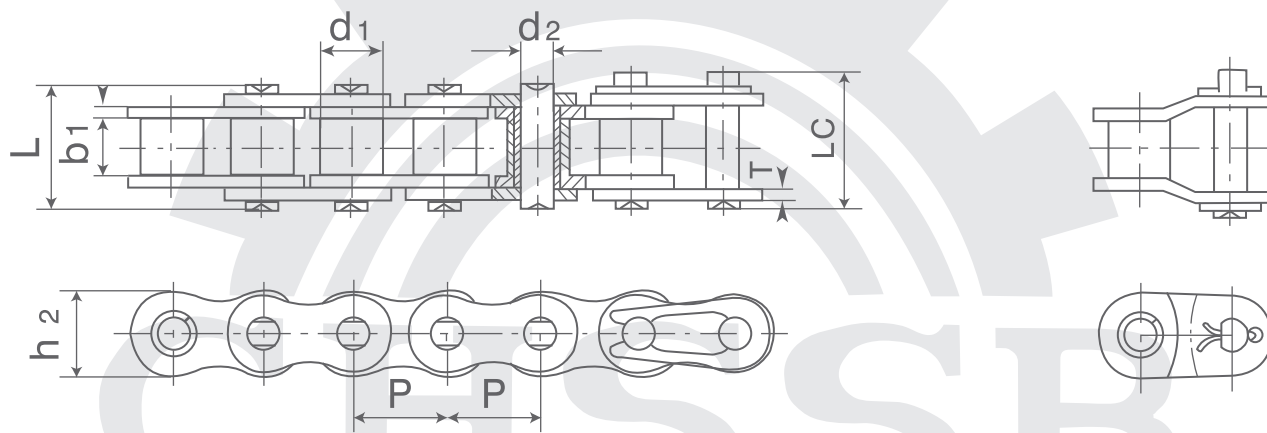
Sprockets - Chain

| Transmission Ratio Table $r = \frac{Z_2}{Z_1}$ | | | | | | | | | | | | | | | | |
|--|----------------|------|------|------|------|------|------|------|------|------|------|------|------|------|------|------|
| Z ₂ | Z ₁ | | | | | | | | | | | | | | | |
| Z _z | 25 | 26 | 27 | 28 | 29 | 30 | 31 | 32 | 33 | 34 | 35 | 36 | 37 | 38 | 39 | 40 |
| 8 | 0.32 | 0.31 | 0.30 | 0.29 | 0.28 | 0.27 | 0.26 | 0.25 | 0.24 | 0.24 | 0.23 | 0.22 | 0.22 | 0.21 | 0.21 | 0.20 |
| 9 | 0.36 | 0.35 | 0.32 | 0.32 | 0.31 | 0.30 | 0.29 | 0.28 | 0.27 | 0.26 | 0.26 | 0.25 | 0.24 | 0.24 | 0.23 | 0.23 |
| 10 | 0.40 | 0.38 | 0.36 | 0.36 | 0.34 | 0.33 | 0.32 | 0.31 | 0.30 | 0.29 | 0.29 | 0.28 | 0.27 | 0.26 | 0.26 | 0.25 |
| 11 | 0.44 | 0.42 | 0.39 | 0.39 | 0.38 | 0.37 | 0.35 | 0.34 | 0.33 | 0.32 | 0.31 | 0.31 | 0.30 | 0.29 | 0.28 | 0.28 |
| 12 | 0.48 | 0.46 | 0.43 | 0.43 | 0.41 | 0.40 | 0.39 | 0.38 | 0.36 | 0.35 | 0.34 | 0.33 | 0.32 | 0.32 | 0.31 | 0.30 |
| 13 | 0.52 | 0.50 | 0.46 | 0.46 | 0.45 | 0.43 | 0.42 | 0.41 | 0.39 | 0.38 | 0.37 | 0.36 | 0.35 | 0.34 | 0.33 | 0.33 |
| 14 | 0.56 | 0.54 | 0.50 | 0.50 | 0.48 | 0.47 | 0.45 | 0.44 | 0.42 | 0.41 | 0.40 | 0.39 | 0.38 | 0.37 | 0.36 | 0.35 |
| 15 | 0.60 | 0.58 | 0.54 | 0.54 | 0.52 | 0.50 | 0.48 | 0.47 | 0.45 | 0.44 | 0.43 | 0.42 | 0.41 | 0.39 | 0.38 | 0.38 |
| 16 | 0.64 | 0.62 | 0.59 | 0.57 | 0.55 | 0.53 | 0.52 | 0.50 | 0.48 | 0.47 | 0.46 | 0.44 | 0.43 | 0.42 | 0.41 | 0.40 |
| 17 | 0.68 | 0.65 | 0.63 | 0.61 | 0.59 | 0.57 | 0.55 | 0.53 | 0.52 | 0.50 | 0.49 | 0.47 | 0.46 | 0.45 | 0.44 | 0.43 |
| 18 | 0.72 | 0.69 | 0.67 | 0.64 | 0.62 | 0.60 | 0.58 | 0.50 | 0.55 | 0.53 | 0.51 | 0.50 | 0.49 | 0.47 | 0.46 | 0.45 |
| 19 | 0.76 | 0.73 | 0.70 | 0.68 | 0.66 | 0.63 | 0.61 | 0.59 | 0.58 | 0.56 | 0.54 | 0.53 | 0.51 | 0.50 | 0.49 | 0.48 |
| 20 | 0.80 | 0.77 | 0.74 | 0.71 | 0.69 | 0.67 | 0.65 | 0.63 | 0.61 | 0.59 | 0.57 | 0.54 | 0.54 | 0.53 | 0.51 | 0.50 |
| 21 | 0.84 | 0.81 | 0.78 | 0.75 | 0.72 | 0.70 | 0.68 | 0.66 | 0.64 | 0.62 | 0.60 | 0.58 | 0.57 | 0.55 | 0.54 | 0.53 |
| 22 | 0.88 | 0.85 | 0.81 | 0.79 | 0.76 | 0.73 | 0.71 | 0.69 | 0.67 | 0.65 | 0.63 | 0.61 | 0.59 | 0.58 | 0.56 | 0.55 |
| 23 | 0.92 | 0.88 | 0.85 | 0.82 | 0.79 | 0.77 | 0.74 | 0.72 | 0.70 | 0.68 | 0.66 | 0.64 | 0.62 | 0.61 | 0.59 | 0.58 |
| 24 | 0.96 | 0.92 | 0.89 | 0.86 | 0.83 | 0.80 | 0.77 | 0.75 | 0.73 | 0.71 | 0.69 | 0.67 | 0.65 | 0.63 | 0.62 | 0.60 |
| 25 | 1.00 | 0.96 | 0.93 | 0.89 | 0.86 | 0.83 | 0.81 | 0.78 | 0.76 | 0.74 | 0.71 | 0.69 | 0.68 | 0.66 | 0.64 | 0.63 |
| 26 | 1.04 | 1.00 | 0.96 | 0.93 | 0.90 | 0.87 | 0.84 | 0.81 | 0.79 | 0.76 | 0.74 | 0.72 | 0.70 | 0.68 | 0.67 | 0.65 |
| 27 | 1.08 | 1.04 | 1.00 | 0.96 | 0.93 | 0.90 | 0.87 | 0.84 | 0.82 | 0.79 | 0.77 | 0.75 | 0.73 | 0.69 | 0.69 | 0.68 |
| 28 | 1.12 | 1.08 | 1.04 | 1.00 | 0.97 | 0.93 | 0.90 | 0.88 | 0.85 | 0.82 | 0.80 | 0.78 | 0.76 | 0.74 | 0.72 | 0.70 |
| 29 | 1.16 | 1.12 | 1.07 | 1.04 | 1.00 | 0.97 | 0.94 | 0.91 | 0.88 | 0.85 | 0.83 | 0.81 | 0.78 | 0.76 | 0.74 | 0.73 |
| 30 | 1.20 | 1.15 | 1.11 | 1.07 | 1.03 | 1.00 | 0.97 | 0.94 | 0.91 | 0.88 | 0.86 | 0.83 | 0.81 | 0.79 | 0.77 | 0.75 |
| 31 | 1.24 | 1.19 | 1.15 | 1.11 | 1.07 | 1.03 | 1.00 | 0.97 | 0.94 | 0.91 | 0.89 | 0.86 | 0.84 | 0.82 | 0.79 | 0.78 |
| 32 | 1.28 | 1.23 | 1.19 | 1.14 | 1.10 | 1.07 | 1.03 | 1.00 | 0.97 | 0.94 | 0.91 | 0.89 | 0.86 | 0.84 | 0.82 | 0.80 |
| 33 | 1.32 | 1.27 | 1.22 | 1.18 | 1.14 | 1.10 | 1.06 | 1.03 | 1.00 | 0.97 | 0.94 | 0.92 | 0.89 | 0.87 | 0.85 | 0.83 |
| 34 | 1.36 | 1.31 | 1.26 | 1.21 | 1.17 | 1.13 | 1.10 | 1.06 | 1.03 | 1.00 | 0.97 | 0.94 | 0.92 | 0.89 | 0.87 | 0.85 |
| 35 | 1.40 | 1.35 | 1.30 | 1.25 | 1.21 | 1.17 | 1.13 | 1.09 | 1.06 | 1.03 | 1.00 | 0.97 | 0.95 | 0.92 | 0.90 | 0.88 |
| 36 | 1.44 | 1.38 | 1.33 | 1.29 | 1.24 | 1.20 | 1.16 | 1.13 | 1.09 | 1.06 | 1.03 | 1.00 | 0.97 | 0.95 | 0.92 | 0.90 |
| 37 | 1.48 | 1.42 | 1.37 | 1.32 | 1.28 | 1.23 | 1.19 | 1.16 | 1.12 | 1.09 | 1.06 | 1.03 | 1.00 | 0.97 | 0.95 | 0.93 |
| 38 | 1.52 | 1.46 | 1.41 | 1.36 | 1.31 | 1.27 | 1.23 | 1.19 | 1.15 | 1.12 | 1.09 | 1.06 | 1.03 | 1.00 | 0.97 | 0.95 |
| 39 | 1.56 | 1.50 | 1.44 | 1.39 | 1.34 | 1.30 | 1.26 | 1.22 | 1.18 | 1.15 | 1.11 | 1.08 | 1.05 | 1.03 | 1.00 | 0.98 |
| 40 | 1.60 | 1.54 | 1.48 | 1.43 | 1.38 | 1.33 | 1.29 | 1.25 | 1.21 | 1.18 | 1.14 | 1.11 | 1.08 | 1.05 | 1.03 | 1.00 |
| 41 | 1.64 | 1.58 | 1.52 | 1.46 | 1.41 | 1.37 | 1.32 | 1.28 | 1.24 | 1.21 | 1.17 | 1.14 | 1.11 | 1.08 | 1.05 | 1.03 |
| 42 | 1.68 | 1.62 | 1.56 | 1.50 | 1.45 | 1.40 | 1.35 | 1.31 | 1.27 | 1.24 | 1.20 | 1.17 | 1.14 | 1.11 | 1.08 | 1.05 |
| 43 | 1.72 | 1.65 | 1.59 | 1.54 | 1.48 | 1.43 | 1.39 | 1.34 | 1.30 | 1.26 | 1.23 | 1.19 | 1.16 | 1.13 | 1.10 | 1.08 |
| 44 | 1.76 | 1.69 | 1.63 | 1.57 | 1.52 | 1.47 | 1.42 | 1.38 | 1.33 | 1.29 | 1.26 | 1.22 | 1.19 | 1.16 | 1.13 | 1.10 |
| 45 | 1.80 | 1.73 | 1.67 | 1.61 | 1.55 | 1.50 | 1.45 | 1.41 | 1.36 | 1.32 | 1.29 | 1.25 | 1.22 | 1.18 | 1.15 | 1.13 |
| 46 | 1.84 | 1.77 | 1.70 | 1.64 | 1.59 | 1.53 | 1.48 | 1.44 | 1.39 | 1.35 | 1.31 | 1.28 | 1.24 | 1.21 | 1.18 | 1.15 |
| 47 | 1.88 | 1.81 | 1.74 | 1.68 | 1.62 | 1.57 | 1.52 | 1.47 | 1.42 | 1.38 | 1.34 | 1.31 | 1.27 | 1.24 | 1.21 | 1.18 |
| 48 | 1.92 | 1.85 | 1.78 | 1.71 | 1.66 | 1.60 | 1.55 | 1.50 | 1.45 | 1.41 | 1.37 | 1.33 | 1.30 | 1.26 | 1.23 | 1.20 |
| 49 | 1.96 | 1.88 | 1.81 | 1.75 | 1.69 | 1.63 | 1.58 | 1.53 | 1.48 | 1.44 | 1.40 | 1.36 | 1.32 | 1.29 | 1.26 | 1.23 |
| 50 | 2.00 | 1.92 | 1.85 | 1.79 | 1.71 | 1.67 | 1.61 | 1.56 | 1.52 | 1.47 | 1.43 | 1.39 | 1.35 | 1.32 | 1.28 | 1.25 |
| 51 | 2.04 | 1.96 | 1.89 | 1.82 | 1.76 | 1.70 | 1.65 | 1.59 | 1.55 | 1.50 | 1.46 | 1.42 | 1.38 | 1.34 | 1.31 | 1.28 |
| 52 | 2.08 | 2.00 | 1.93 | 1.86 | 1.79 | 1.73 | 1.68 | 1.63 | 1.58 | 1.53 | 1.49 | 1.44 | 1.41 | 1.37 | 1.33 | 1.30 |
| 53 | 2.12 | 2.04 | 1.96 | 1.89 | 1.83 | 1.77 | 1.71 | 1.66 | 1.61 | 1.56 | 1.51 | 1.47 | 1.43 | 1.39 | 1.36 | 1.33 |
| 54 | 2.16 | 2.08 | 2.00 | 1.93 | 1.86 | 1.80 | 1.74 | 1.69 | 1.64 | 1.59 | 1.54 | 1.50 | 1.46 | 1.42 | 1.38 | 1.35 |
| 55 | 2.20 | 2.12 | 2.04 | 1.96 | 1.90 | 1.83 | 1.77 | 1.72 | 1.67 | 1.62 | 1.57 | 1.53 | 1.49 | 1.45 | 1.41 | 1.38 |
| 56 | 2.24 | 2.15 | 2.07 | 2.00 | 1.93 | 1.87 | 1.81 | 1.75 | 1.70 | 1.65 | 1.60 | 1.56 | 1.51 | 1.47 | 1.44 | 1.40 |
| 57 | 2.28 | 2.19 | 2.11 | 2.04 | 1.97 | 1.90 | 1.84 | 1.78 | 1.73 | 1.68 | 1.63 | 1.58 | 1.54 | 1.50 | 1.46 | 1.43 |
| 58 | 2.32 | 2.23 | 2.15 | 2.07 | 2.00 | 1.93 | 1.87 | 1.81 | 1.76 | 1.71 | 1.66 | 1.61 | 1.57 | 1.53 | 1.49 | 1.45 |
| 60 | 2.40 | 2.31 | 2.22 | 2.14 | 2.07 | 2.00 | 1.94 | 1.88 | 1.82 | 1.76 | 1.71 | 1.67 | 1.63 | 1.58 | 1.54 | 1.50 |
| 62 | 2.48 | 2.38 | 2.30 | 2.21 | 2.14 | 2.07 | 2.00 | 1.94 | 1.88 | 1.82 | 1.77 | 1.72 | 1.68 | 1.63 | 1.59 | 1.55 |
| 63 | 2.52 | 2.42 | 2.33 | 2.25 | 2.17 | 2.10 | 2.03 | 1.97 | 1.91 | 1.85 | 1.80 | 1.75 | 1.70 | 1.66 | 1.62 | 1.58 |
| 64 | 2.56 | 2.46 | 2.37 | 2.29 | 2.21 | 2.13 | 2.06 | 2.00 | 1.94 | 1.88 | 1.83 | 1.78 | 1.73 | 1.68 | 1.64 | 1.60 |
| 65 | 2.60 | 2.50 | 2.41 | 2.32 | 2.24 | 2.17 | 2.21 | 2.03 | 1.97 | 1.91 | 1.86 | 1.81 | 1.76 | 1.71 | 1.67 | 1.63 |
| 66 | 2.64 | 2.54 | 2.44 | 2.36 | 2.28 | 2.20 | 2.13 | 2.06 | 2.00 | 1.94 | 1.89 | 1.83 | 1.78 | 1.74 | 1.69 | 1.65 |
| 68 | 2.72 | 2.62 | 2.52 | 2.43 | 2.34 | 2.27 | 2.19 | 2.13 | 2.06 | 2.00 | 1.94 | 1.89 | 1.84 | 1.79 | 1.74 | 1.70 |
| 70 | 2.80 | 2.69 | 2.59 | 2.50 | 2.41 | 2.33 | 2.26 | 2.19 | 2.12 | 2.06 | 2.00 | 1.94 | 1.89 | 1.84 | 1.79 | 1.75 |
| 72 | 2.88 | 2.77 | 2.67 | 2.57 | 2.48 | 2.40 | 2.32 | 2.25 | 2.18 | 2.12 | 2.06 | 2.00 | 1.95 | 1.89 | 1.85 | 1.80 |
| 75 | 3.00 | 2.88 | 2.78 | 2.68 | 2.59 | 2.50 | 2.42 | 2.34 | 2.27 | 2.21 | 2.14 | 2.08 | 2.03 | 1.97 | 1.92 | 1.88 |
| 76 | 3.04 | 2.92 | 2.81 | 2.71 | 2.62 | 2.53 | 2.45 | 2.38 | 2.30 | 2.24 | 2.17 | 2.11 | 2.05 | 2.00 | 1.95 | 1.90 |
| 78 | 3.12 | 3.00 | 2.89 | 2.79 | 2.69 | 2.60 | 2.52 | 2.44 | 2.36 | 2.29 | 2.23 | 2.17 | 2.11 | 2.05 | 2.00 | 1.95 |
| 80 | 3.20 | 3.10 | 2.96 | 2.86 | 2.76 | 2.67 | 2.58 | 2.50 | 2.42 | 2.35 | 2.29 | 2.22 | 2.16 | 2.11 | 2.05 | 2.00 |
| 85 | 3.40 | 3.27 | 3.15 | 3.04 | 2.93 | 2.83 | 2.74 | 2.66 | 2.58 | 2.50 | 2.43 | 2.36 | 2.30 | 2.24 | 2.18 | 2.13 |
| 90 | 3.60 | 3.46 | 3.33 | 3.21 | 3.10 | 3.00 | 2.90 | 2.81 | 2.73 | 2.65 | 2.57 | 2.50 | 2.43 | 2.37 | 2.31 | 2.25 |
| 95 | 3.80 | 3.65 | 3.52 | 3.39 | 3.28 | 3.17 | 3.06 | 2.97 | 2.88 | 2.79 | 2.71 | 2.64 | 2.57 | 2.50 | 2.44 | 2.38 |
| 96 | 3.84 | 3.69 | 3.56 | 3.43 | 3.31 | 3.20 | 3.10 | 3.00 | 2.91 | 2.82 | 2.74 | 2.67 | 2.59 | 2.53 | 2.46 | 2.40 |
| 100 | 4.00 | 3.85 | 3.70 | 3.57 | 3.45 | 3.33 | 3.23 | 3.13 | 3.03 | 2.94 | 2.86 | 2.78 | 2.70 | 2.63 | 2.56 | 2.50 |
| 114 | 4.56 | 4.38 | 4.22 | 4.07 | 3.93 | 3.80 | 3.68 | 3.56 | 3.45 | 3.35 | 3.26 | 3.17 | 3.08 | 3.00 | 2.92 | 2.85 |
| 125 | 5.00 | 4.81 | 4.63 | 4.46 | 4.31 | 4.17 | 4.03 | 3.91 | 3.79 | 3.68 | 3.57 | 3.47 | 3.38 | 3.29 | 3.21 | 3.13 |

Sprockets - Chain

ANSI B29.1M-1993

Simplex & Bushing Chains



Simplex Roller Chains

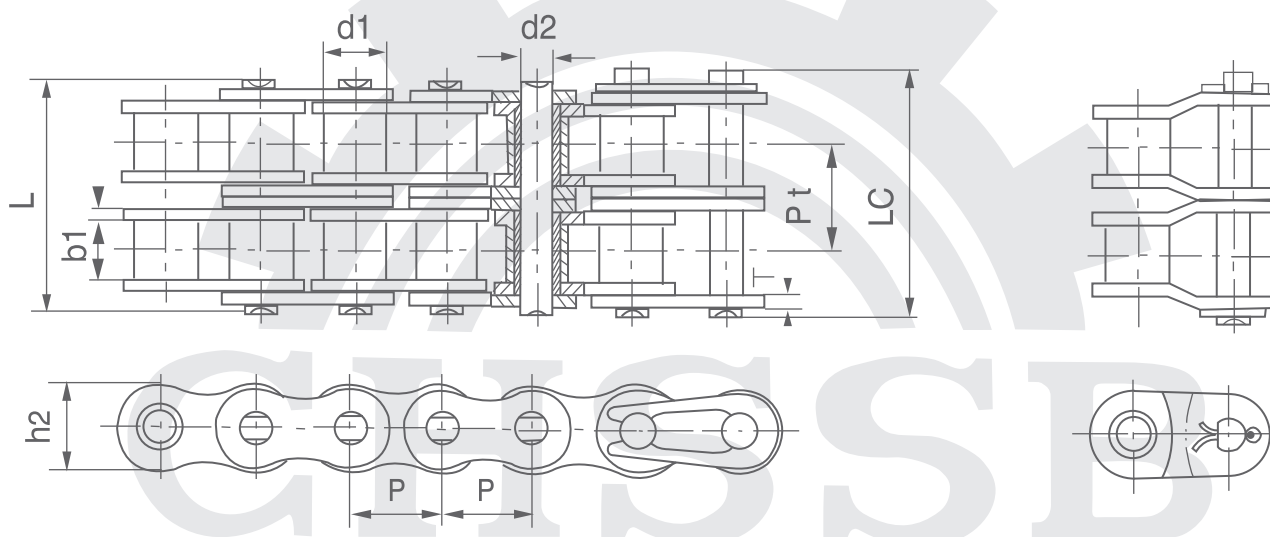
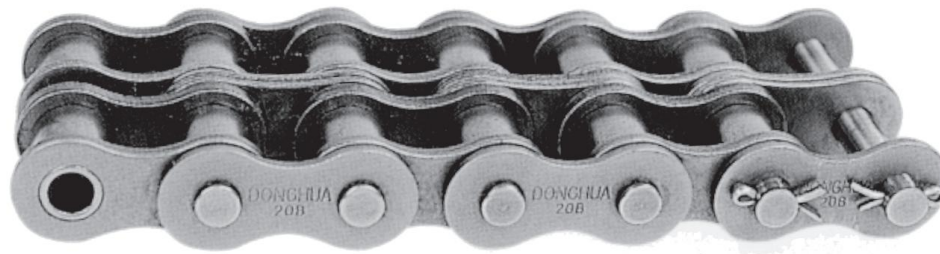
| ANSI Chain No. | Pitch | Roller diameter | Width between inner plates | Pin diameter | Pin length | | Inner plate depth | Ultimate tensile strength | Average tensile strength | Weight per meter |
|----------------|--------|-----------------|----------------------------|--------------|------------|--------|-------------------|---------------------------|--------------------------|------------------|
| | P | d1 max | b1 min | d2 max | L max | Lc max | h2 max | Q min | Q0 | q |
| | mm | mm | mm | mm | mm | mm | mm | kN | kN | kg/m |
| *25 | 6.35 | 3.30 | 3.18 | 2.31 | 7.9 | 8.4 | 6.0 | 3.5 | 4.4 | 0.15 |
| *35 | 9.525 | 5.08 | 4.77 | 3.58 | 12.4 | 13.17 | 9.0 | 7.9 | 10.8 | 0.33 |
| 41 | 12.7 | 7.77 | 6.25 | 3.58 | 13.7 | 15.0 | 9.91 | 6.67 | 12.6 | 0.41 |
| 40 | 12.7 | 7.95 | 7.85 | 3.96 | 16.6 | 17.8 | 12.0 | 14.1 | 17.0 | 0.62 |
| 50 | 15.875 | 10.16 | 9.40 | 5.08 | 20.7 | 22.2 | 15.09 | 22.2 | 29.4 | 1.02 |
| 60 | 19.05 | 11.91 | 12.57 | 5.94 | 25.9 | 27.7 | 18.0 | 31.8 | 41.5 | 1.50 |
| 80 | 25.4 | 15.88 | 15.75 | 7.92 | 32.7 | 35.0 | 24.0 | 56.7 | 69.4 | 2.60 |
| 100 | 31.75 | 19.05 | 18.90 | 9.53 | 40.4 | 44.7 | 30.0 | 88.5 | 109.2 | 3.91 |
| 120 | 38.1 | 22.23 | 25.22 | 11.10 | 50.3 | 54.3 | 35.7 | 127.0 | 156.3 | 5.62 |
| 140 | 44.45 | 25.40 | 25.22 | 12.70 | 54.4 | 59.0 | 41.0 | 172.4 | 212 | 7.50 |
| 160 | 50.8 | 28.58 | 31.55 | 14.27 | 64.8 | 69.6 | 47.8 | 226.8 | 278.9 | 10.10 |
| 180 | 57.15 | 35.71 | 35.48 | 17.46 | 72.8 | 78.6 | 53.6 | 280.2 | 341.8 | 13.45 |
| 200 | 63.5 | 39.68 | 37.85 | 19.85 | 80.3 | 87.2 | 60.0 | 353.8 | 431.6 | 16.15 |
| 240 | 76.2 | 47.63 | 47.35 | 23.81 | 95.5 | 103.0 | 72.39 | 510.3 | 622.5 | 23.20 |

*Bushing chain: d₁ in the table indicates the external diameter of the bushing.

Sprockets - Chain

ANSI B29.1M-1993

Duplex Roller & Bushing Chains



Duplex Roller Chains

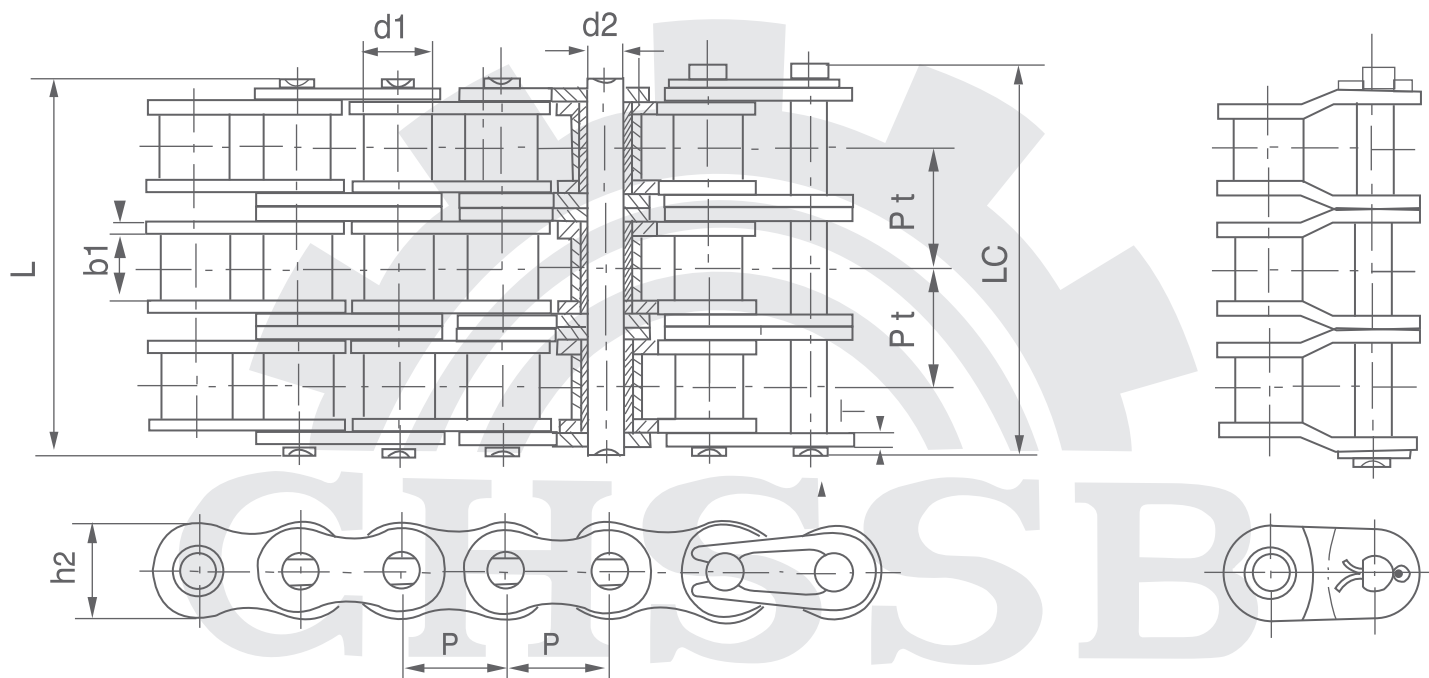
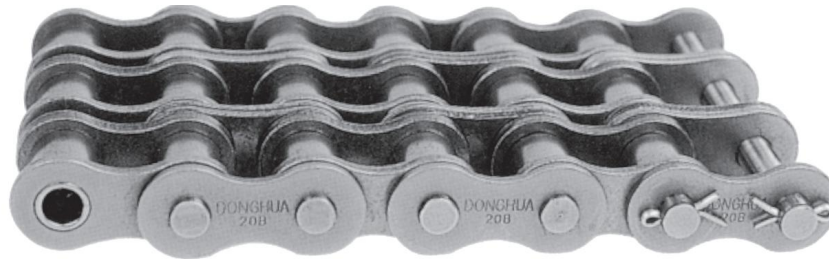
| ANSI Chain No. | Pitch | Roller diameter | Width between inner plates | Pin diameter | Pin length | | Inner plate depth | Transverse pitch | Ultimate tensile strength | Average tensile strength | Weight per meter |
|----------------|--------|-----------------|----------------------------|--------------|------------|--------|-------------------|------------------|---------------------------|--------------------------|------------------|
| | P | d1 max | b1 min | d2 max | L max | Lc max | h2 max | P1 | Q min | Qo | q |
| | mm | mm | mm | mm | mm | mm | mm | mm | kN | kN | kg/m |
| *25-2 | 6.35 | 3.30 | 3.18 | 2.31 | 14.5 | 15.0 | 6.0 | 6.40 | 7.0 | 8.2 | 0.28 |
| *35-2 | 9.525 | 5.08 | 4.77 | 3.58 | 22.5 | 23.3 | 9.0 | 10.13 | 15.8 | 19.1 | 0.63 |
| 40-2 | 12.7 | 7.95 | 7.85 | 3.96 | 31.0 | 32.2 | 12.0 | 14.38 | 28.2 | 35.9 | 1.12 |
| 50-2 | 15.875 | 10.16 | 9.40 | 5.08 | 38.9 | 40.4 | 15.09 | 18.11 | 44.4 | 58.1 | 2.00 |
| 60-2 | 19.05 | 11.91 | 12.57 | 5.94 | 48.8 | 50.5 | 18.0 | 22.78 | 63.6 | 82.1 | 2.92 |
| 80-2 | 25.4 | 15.88 | 15.75 | 7.92 | 62.7 | 64.3 | 24.0 | 29.29 | 113.4 | 141.8 | 5.15 |
| 100-2 | 31.75 | 19.05 | 18.90 | 9.53 | 76.4 | 80.5 | 30.0 | 35.76 | 177.0 | 219.4 | 7.80 |
| 120-2 | 38.1 | 22.23 | 25.22 | 11.10 | 95.8 | 99.7 | 35.7 | 45.44 | 254.0 | 314.9 | 11.70 |
| 140-2 | 44.45 | 25.40 | 25.22 | 12.70 | 103.3 | 107.9 | 41.0 | 48.87 | 344.8 | 427.5 | 15.14 |
| 160-2 | 50.8 | 28.58 | 31.55 | 14.27 | 123.3 | 128.1 | 47.8 | 58.55 | 453.6 | 562.4 | 20.14 |
| 180-2 | 57.15 | 35.71 | 35.48 | 17.46 | 138.6 | 144.4 | 53.6 | 65.84 | 560.5 | 695 | 29.22 |
| 200-2 | 63.5 | 39.68 | 37.85 | 19.85 | 151.9 | 158.8 | 60.0 | 71.55 | 707.6 | 827.4 | 32.24 |
| 240-2 | 76.2 | 47.63 | 47.35 | 23.81 | 183.4 | 190.8 | 72.39 | 87.83 | 1020.6 | 1255.3 | 45.23 |

*Bushing chain: d1 in the table indicates the external diameter of the bushing.

Sprockets - Chain

ANSI B29.1M-1993

Triplex Roller Chains & Bushing Chains



Triplex Roller Chains

| ANSI Chain No. | Pitch | Roller diameter | Width between inner plates | Pin diameter | Pin length | | Inner plate depth | Transverse pitch | Ultimate tensile strength | Average tensile strength | Weight per meter |
|----------------|--------|--------------------|----------------------------|--------------------|------------|--------------------|--------------------|------------------|---------------------------|--------------------------|------------------|
| | P | d ₁ max | b ₁ min | d ₂ max | L max | L _c max | h ₂ max | P ₁ | Q _{min} | Q ₀ | q |
| | mm | mm | mm | mm | mm | mm | mm | mm | kN | kN | kg/m |
| *35-3 | 9.525 | 5.08 | 4.77 | 3.58 | 32.7 | 33.5 | 9.0 | 10.13 | 23.7 | 28.6 | 1.05 |
| 40-3 | 12.7 | 7.95 | 7.85 | 3.96 | 45.4 | 46.6 | 12.0 | 14.38 | 42.3 | 50.0 | 1.90 |
| 50-3 | 15.875 | 10.16 | 9.40 | 5.08 | 57.0 | 58.5 | 15.09 | 18.11 | 66.6 | 77.8 | 3.09 |
| 60-3 | 19.05 | 11.91 | 12.57 | 5.94 | 71.5 | 73.3 | 18.0 | 22.78 | 95.4 | 111.1 | 4.54 |
| 80-3 | 25.4 | 15.88 | 15.75 | 7.92 | 91.7 | 93.6 | 24.0 | 29.29 | 170.1 | 198.4 | 7.89 |
| 100-3 | 31.75 | 19.05 | 18.90 | 9.53 | 112.2 | 116.3 | 30.0 | 35.76 | 265.5 | 309.6 | 11.77 |
| 120-3 | 38.1 | 22.23 | 25.22 | 11.10 | 141.4 | 145.2 | 35.7 | 45.44 | 381.0 | 437.2 | 17.53 |
| 140-3 | 44.45 | 25.40 | 25.22 | 12.70 | 152.2 | 156.8 | 41.0 | 48.87 | 517.2 | 593.3 | 22.20 |
| 160-3 | 50.8 | 28.58 | 31.55 | 14.27 | 181.8 | 186.6 | 47.8 | 58.55 | 680.4 | 780.6 | 30.02 |
| 180-3 | 57.15 | 35.71 | 35.48 | 17.46 | 204.4 | 210.2 | 53.6 | 65.84 | 840.7 | 983.6 | 38.22 |
| 200-3 | 63.5 | 39.68 | 37.85 | 19.85 | 223.5 | 230.4 | 60.0 | 71.55 | 1061.4 | 1217.8 | 49.03 |
| 240-3 | 76.2 | 47.63 | 47.35 | 23.81 | 271.3 | 278.6 | 72.39 | 87.83 | 1530.9 | 1756.5 | 71.60 |

*Bushing chain: d₁ in the table indicates the external diameter of the bushing.

Sprockets - Chain

ANSI B29.1M-1993

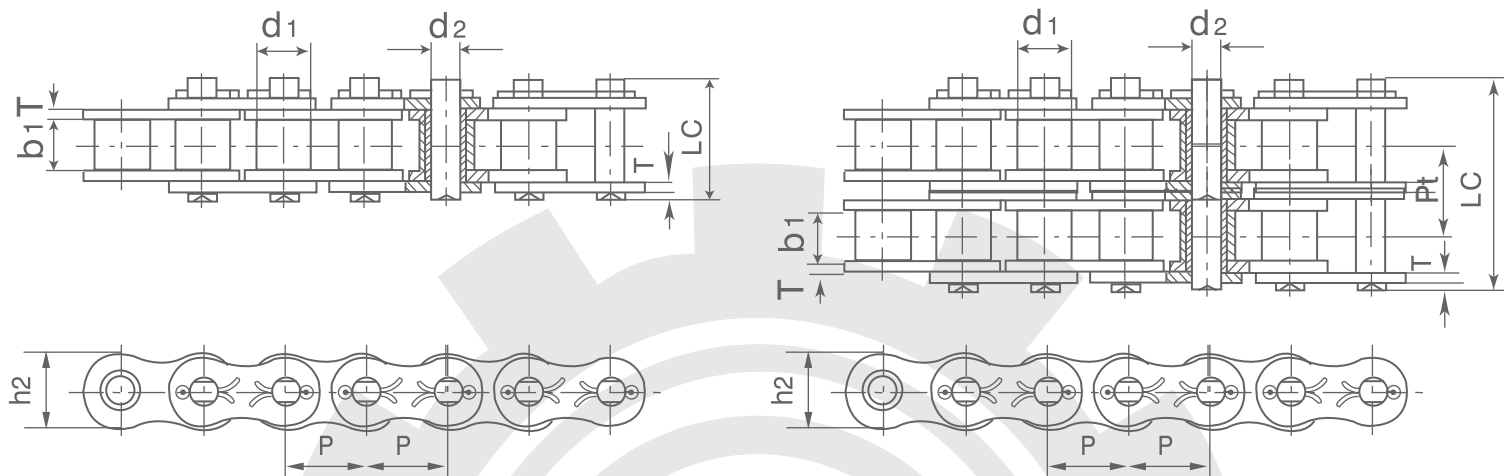
Heavy Series of Roller Chains

| ANSI Chain No. | Pitch | Roller diameter | Width between inner plates | Pin diameter | Pin length | | Inner plate depth | Plate thickness | Transverse pitch | Ultimate tensile strength | Average tensile strength | Weight per meter |
|----------------|--------|--------------------|----------------------------|--------------------|------------|--------------------|--------------------|-----------------|------------------|---------------------------|--------------------------|------------------|
| | P | d ₁ max | b ₁ min | d ₂ max | L max | L _c max | h ₂ max | T max | P ₁ | Q min | Q ₀ | q |
| | mm | mm | mm | mm | mm | mm | mm | mm | mm | kN | kN | kg/m |
| 40H | 12.700 | 7.95 | 7.85 | 3.96 | 18.8 | 19.9 | 12.00 | 2.03 | | 14.1 | 19.1 | 0.82 |
| 50H | 15.875 | 10.16 | 9.40 | 5.08 | 22.1 | 23.4 | 15.09 | 2.42 | | 22.2 | 30.2 | 1.25 |
| 60H | 19.050 | 11.91 | 12.57 | 5.94 | 29.2 | 31.0 | 18.00 | 3.25 | | 31.8 | 42.7 | 1.87 |
| 80H | 25.400 | 15.88 | 15.75 | 7.92 | 36.2 | 37.7 | 24.00 | 4.00 | | 56.7 | 71.4 | 3.10 |
| 100H | 31.750 | 19.05 | 18.90 | 9.53 | 43.6 | 46.9 | 30.00 | 4.80 | | 88.5 | 112.4 | 4.52 |
| 120H | 38.100 | 22.23 | 25.22 | 11.10 | 53.5 | 57.5 | 35.70 | 5.60 | | 127.0 | 160.9 | 6.60 |
| 140H | 44.450 | 25.40 | 25.22 | 12.70 | 57.6 | 62.2 | 41.00 | 6.40 | | 172.4 | 217.3 | 8.30 |
| 160H | 50.800 | 28.58 | 31.55 | 14.27 | 68.2 | 73.0 | 47.80 | 7.20 | | 226.8 | 285.8 | 10.30 |
| 200H | 63.500 | 39.68 | 37.85 | 19.85 | 86.6 | 93.5 | 60.00 | 9.50 | | 353.8 | 444.5 | 19.16 |
| 60H-2 | 19.050 | 11.91 | 12.57 | 5.94 | 55.3 | 57.1 | 18.00 | 3.25 | 26.11 | 63.6 | 84.5 | 3.71 |
| 80H-2 | 25.400 | 15.88 | 15.75 | 7.92 | 68.8 | 70.3 | 24.00 | 4.00 | 32.59 | 113.4 | 145.3 | 6.15 |
| 100H-2 | 31.750 | 19.05 | 18.90 | 9.53 | 82.7 | 86.0 | 30.00 | 4.80 | 39.09 | 177.0 | 225.9 | 9.03 |
| 120H-2 | 38.100 | 22.23 | 25.22 | 11.10 | 102.4 | 106.4 | 35.70 | 5.60 | 48.87 | 254.0 | 322.7 | 13.13 |
| 140H-2 | 44.450 | 25.40 | 25.22 | 12.70 | 109.8 | 114.4 | 41.00 | 6.40 | 52.20 | 344.8 | 437.7 | 16.60 |
| 160H-2 | 50.800 | 28.58 | 31.55 | 14.27 | 130.1 | 134.9 | 47.80 | 7.20 | 61.90 | 453.6 | 571.6 | 20.20 |
| 200H-2 | 63.500 | 39.68 | 37.85 | 19.85 | 164.9 | 171.8 | 60.00 | 9.50 | 78.31 | 707.6 | 894.9 | 38.11 |
| 60H-3 | 19.050 | 11.91 | 12.57 | 5.94 | 81.4 | 83.2 | 18.00 | 3.25 | 26.11 | 95.4 | 113.9 | 5.54 |
| 80H-3 | 25.400 | 15.88 | 15.75 | 7.92 | 101.4 | 102.9 | 24.00 | 4.00 | 32.59 | 170.1 | 203.5 | 9.42 |
| 100H-3 | 31.750 | 19.05 | 18.90 | 9.53 | 121.8 | 125.1 | 30.00 | 4.80 | 39.09 | 265.5 | 314.8 | 12.96 |
| 120H-3 | 38.100 | 22.23 | 25.22 | 11.10 | 151.2 | 155.2 | 35.70 | 5.60 | 48.87 | 381.0 | 444.7 | 19.64 |
| 140H-3 | 44.450 | 25.40 | 25.22 | 12.70 | 162.0 | 166.6 | 41.00 | 6.40 | 52.20 | 517.2 | 598.4 | 24.90 |
| 160H-3 | 50.800 | 28.58 | 31.55 | 14.27 | 192.0 | 196.8 | 47.80 | 7.20 | 61.90 | 680.4 | 787.3 | 30.10 |
| 200H-3 | 63.500 | 39.68 | 37.85 | 19.85 | 243.2 | 250.1 | 60.00 | 9.50 | 78.31 | 1061.4 | 1228.2 | 57.06 |

Sprockets - Chain

ANSI B29.1M-1993

Simplex & Duplex Roller Chains

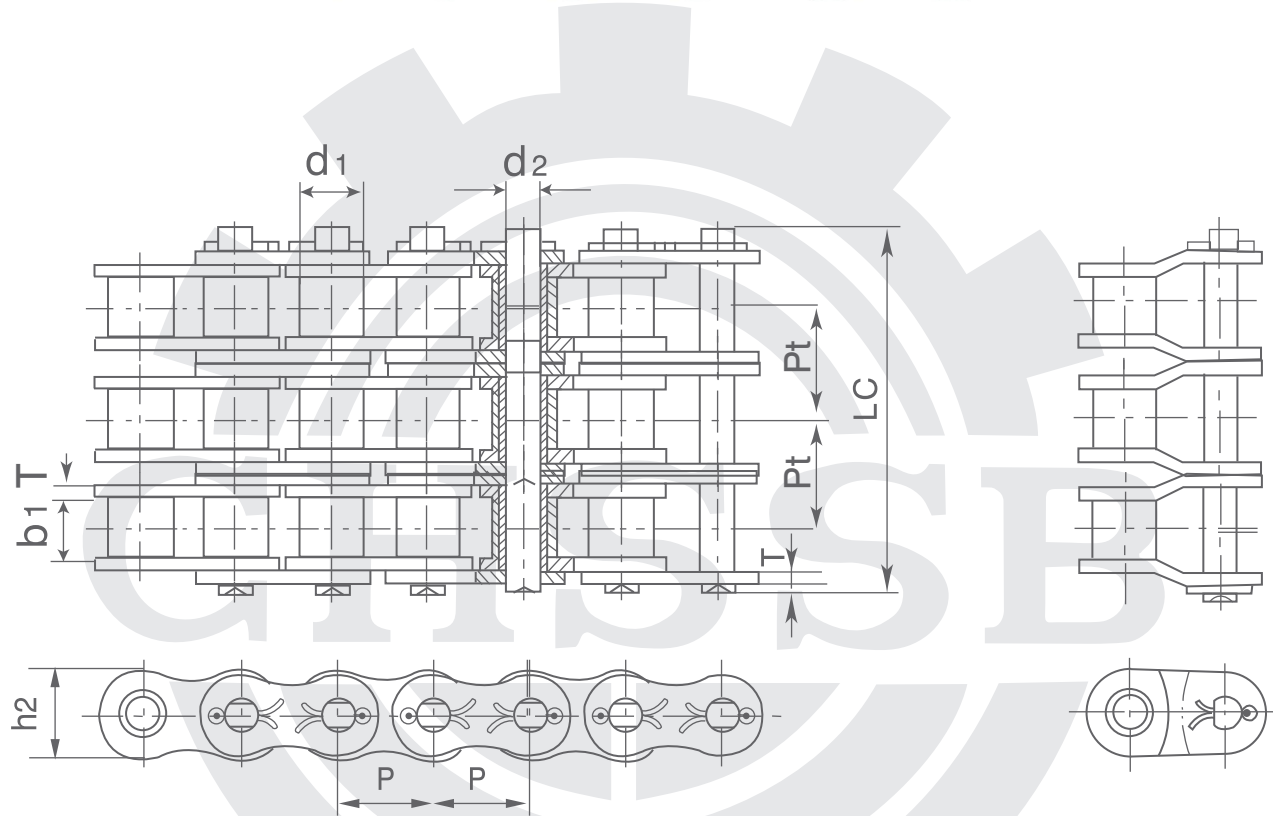
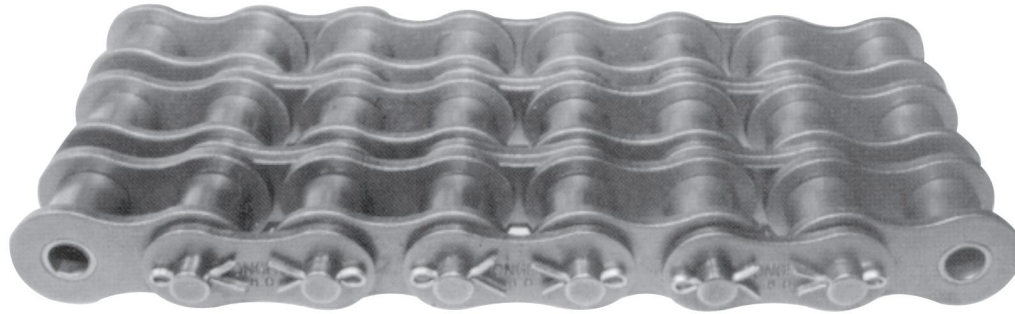


| ANSI Chain No. | Pitch | Roller diameter | Width between inner plates | Pin diameter | Pin length | | Inner plate depth | Transverse pitch | Ultimate tensile strength | Average tensile strength | Weight per meter |
|----------------|--------|-----------------|----------------------------|--------------|------------|--------|-------------------|------------------|---------------------------|--------------------------|------------------|
| | P | d1 max | b1 min | d2 max | Lc max | h2 max | T max | P1 | Q min | Q0 | q |
| | mm | mm | mm | mm | mm | mm | mm | mm | kN | kN | kg/m |
| 50 | 15.875 | 10.16 | 9.40 | 5.08 | 23.3 | 15.09 | 2.03 | | 22.2 | 29.4 | 1.02 |
| 60 | 19.050 | 11.91 | 12.57 | 5.94 | 28.3 | 18.00 | 2.42 | | 31.8 | 41.5 | 1.50 |
| 80 | 25.400 | 15.88 | 15.75 | 7.92 | 36.5 | 24.00 | 3.25 | | 56.7 | 69.4 | 2.60 |
| 100 | 31.750 | 19.05 | 18.90 | 9.53 | 44.7 | 30.00 | 4.00 | | 88.5 | 109.2 | 3.91 |
| 120 | 38.100 | 22.23 | 25.22 | 11.10 | 54.3 | 35.70 | 4.80 | | 127.0 | 156.3 | 5.62 |
| 140 | 44.450 | 25.40 | 25.22 | 12.70 | 59.0 | 41.00 | 5.60 | | 172.4 | 212.0 | 7.50 |
| 160 | 50.800 | 28.58 | 31.55 | 14.27 | 69.6 | 47.80 | 6.40 | | 226.8 | 278.9 | 10.10 |
| 180 | 57.150 | 35.71 | 35.48 | 17.46 | 78.6 | 53.60 | 7.20 | | 280.2 | 341.8 | 13.45 |
| 200 | 63.500 | 39.68 | 37.85 | 19.85 | 87.2 | 60.00 | 8.00 | | 353.8 | 431.6 | 16.15 |
| 240 | 76.200 | 47.63 | 47.35 | 23.81 | 103.0 | 72.39 | 9.50 | | 510.3 | 622.5 | 23.20 |
| 50-2 | 15.875 | 10.16 | 9.40 | 5.08 | 41.2 | 15.09 | 2.03 | 18.11 | 44.4 | 58.1 | 2.00 |
| 60-2 | 19.050 | 11.91 | 12.57 | 5.94 | 51.1 | 18.00 | 2.42 | 22.78 | 63.6 | 82.1 | 2.92 |
| 80-2 | 25.400 | 15.88 | 15.75 | 7.92 | 65.8 | 24.00 | 3.25 | 29.29 | 113.4 | 141.8 | 5.15 |
| 100-2 | 31.750 | 19.05 | 18.90 | 9.53 | 80.5 | 30.00 | 4.00 | 35.76 | 177.0 | 219.4 | 7.80 |
| 120-2 | 38.100 | 22.23 | 25.22 | 11.10 | 99.7 | 35.70 | 4.80 | 45.44 | 254.0 | 314.9 | 11.70 |
| 140-2 | 44.450 | 25.40 | 25.22 | 12.70 | 107.9 | 41.00 | 5.60 | 48.87 | 344.8 | 427.5 | 15.14 |
| 160-2 | 50.800 | 28.58 | 31.55 | 14.27 | 128.1 | 47.80 | 6.40 | 58.55 | 453.6 | 562.4 | 20.14 |
| 180-2 | 57.150 | 35.71 | 35.48 | 17.46 | 144.4 | 53.60 | 7.20 | 65.84 | 560.5 | 695.0 | 29.22 |
| 200-2 | 63.500 | 39.68 | 37.85 | 19.85 | 158.8 | 60.00 | 8.00 | 71.55 | 707.6 | 877.4 | 32.24 |
| 240-2 | 76.200 | 47.63 | 47.35 | 23.81 | 190.8 | 72.39 | 9.50 | 87.83 | 1020.6 | 1255.3 | 45.23 |

Sprockets - Chain

ANSI B29.1M-1993

Triplex Roller Chains

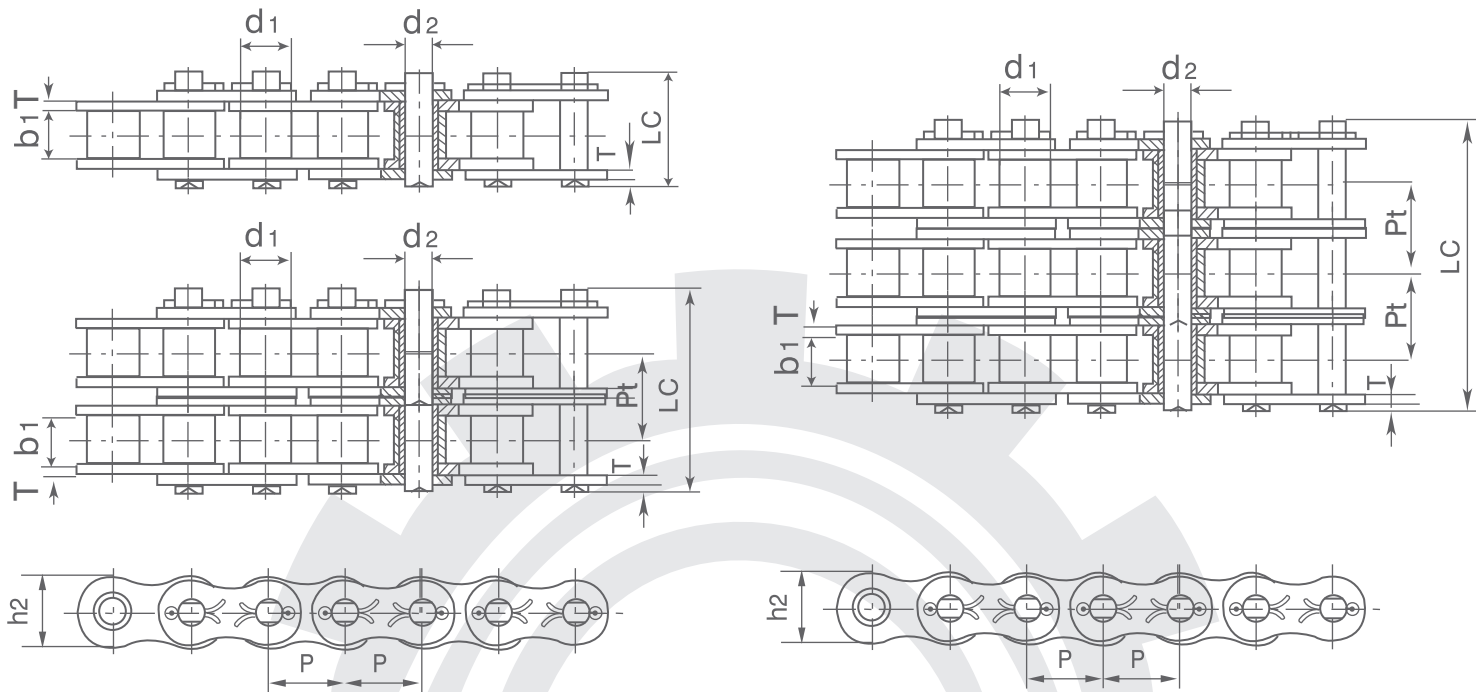


| ANSI Chain No. | Pitch | Roller diameter | Width between inner plates | Pin diameter | Pin length | | Inner plate depth | Transverse pitch | Ultimate tensile strength | Average tensile strength | Weight per meter |
|----------------|--------|-----------------|----------------------------|--------------|------------|--------|-------------------|------------------|---------------------------|--------------------------|------------------|
| | P | d1 max | b1 min | d2 max | Lc max | h2 max | T max | P1 | Q min | Q0 | q |
| | mm | mm | mm | mm | mm | | mm | mm | kN | kN | kg/m |
| 50-3 | 15.875 | 10.16 | 9.40 | 5.08 | 59.3 | 15.09 | 2.03 | 18.11 | 66.6 | 77.8 | 3.06 |
| 60-3 | 19.050 | 11.91 | 12.57 | 5.94 | 73.9 | 18.00 | 2.42 | 22.78 | 95.4 | 111.1 | 4.54 |
| 80-3 | 25.400 | 15.88 | 15.75 | 7.92 | 95.1 | 24.00 | 3.25 | 29.29 | 170.1 | 198.4 | 7.89 |
| 100-3 | 31.750 | 19.05 | 18.90 | 9.53 | 116.3 | 30.00 | 4.00 | 35.76 | 265.5 | 309.6 | 11.7 |
| 120-3 | 38.100 | 22.23 | 25.22 | 11.10 | 145.2 | 35.70 | 4.80 | 45.44 | 381.0 | 437.2 | 17.53 |
| 140-3 | 44.450 | 25.40 | 25.22 | 12.70 | 156.8 | 41.00 | 5.60 | 48.87 | 517.2 | 593.3 | 22.20 |
| 160-3 | 50.800 | 28.58 | 31.55 | 14.27 | 186.6 | 47.80 | 6.40 | 58.55 | 680.4 | 780.6 | 30.02 |
| 180-3 | 57.150 | 35.71 | 35.48 | 17.46 | 210.2 | 53.60 | 7.20 | 65.84 | 840.7 | 983.6 | 38.22 |
| 200-3 | 63.500 | 39.68 | 37.85 | 19.85 | 230.4 | 60.00 | 8.00 | 71.55 | 1061.4 | 1217.8 | 49.03 |
| 240-3 | 76.200 | 47.63 | 47.35 | 23.81 | 278.6 | 72.39 | 9.50 | 87.83 | 1530.9 | 1756.5 | 71.60 |

Sprockets - Chain

ANSI B29.1M-1993

Heavy Series of Cottered Type Roller Chains

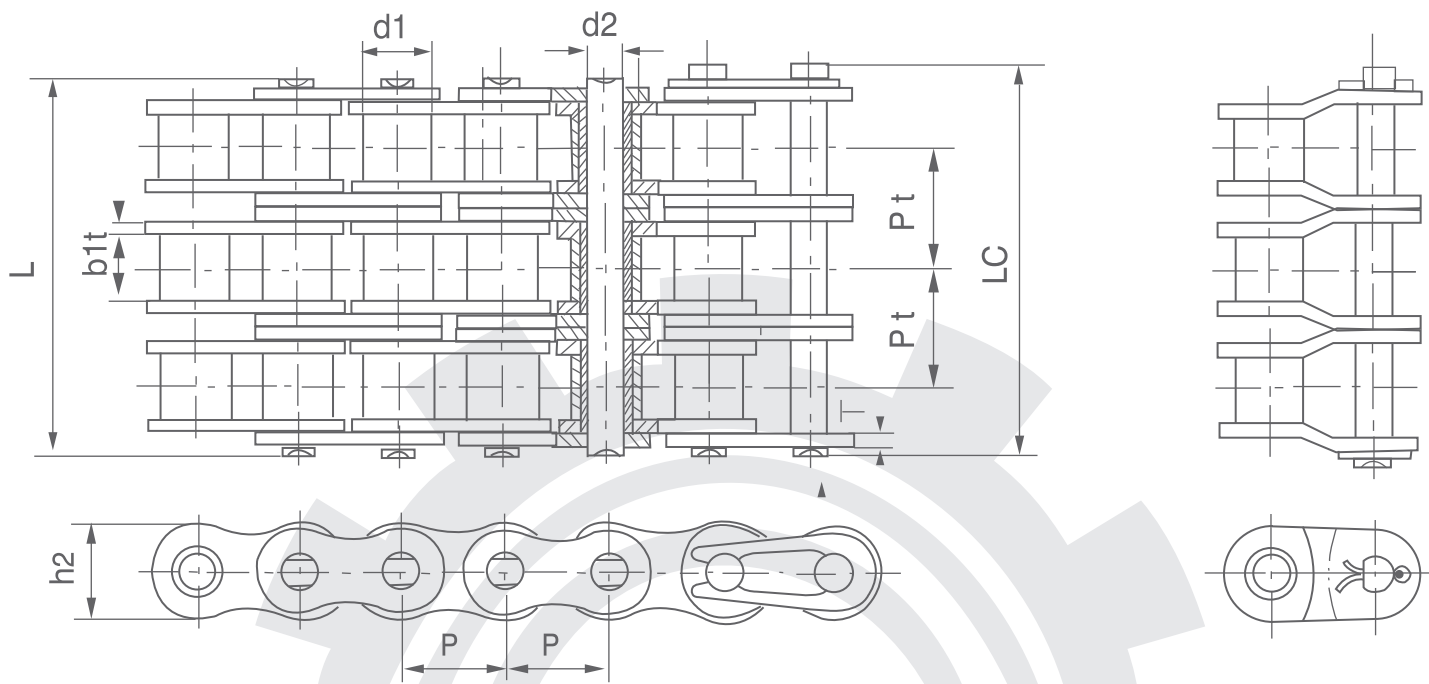


| ANSI Chain No. | Pitch | Roller diameter | Width between inner plates | Pin diameter | Pin length | Inner plate depth | Plate thickness | Transverse pitch | Ultimate tensile strength | Average tensile strength | Weight per meter |
|----------------|--------|-----------------|----------------------------|--------------|------------|-------------------|-----------------|------------------|---------------------------|--------------------------|------------------|
| | P | d1 max | b1 min | d2 max | Lc max | h2 max | T max | P1 | Q min | Q0 | q |
| | mm | mm | mm | mm | mm | mm | mm | mm | kN | kN | kg/m |
| 50H | 15.875 | 10.16 | 9.40 | 5.08 | 24.4 | 15.09 | 2.42 | | 22.2 | 30.2 | 1.25 |
| 60H | 19.050 | 11.91 | 12.57 | 5.94 | 31.6 | 18.00 | 3.25 | | 31.8 | 42.7 | 1.87 |
| 80H | 25.400 | 15.88 | 15.75 | 7.92 | 39.4 | 24.00 | 4.00 | | 56.7 | 71.4 | 3.10 |
| 100H | 31.750 | 19.05 | 18.90 | 9.53 | 46.9 | 30.0 | 4.80 | | 88.5 | 112.4 | 4.52 |
| 120H | 38.100 | 22.23 | 25.22 | 11.10 | 57.5 | 35.70 | 5.60 | | 127.0 | 160.9 | 6.60 |
| 140H | 44.450 | 25.40 | 25.22 | 12.70 | 62.2 | 41.00 | 6.40 | | 172.4 | 217.3 | 8.30 |
| 160H | 50.800 | 28.58 | 31.55 | 14.27 | 73.0 | 47.80 | 7.20 | | 226.8 | 285.8 | 10.30 |
| 200H | 63.500 | 39.68 | 37.85 | 19.85 | 93.5 | 60.00 | 9.50 | | 353.8 | 444.5 | 19.16 |
| 60H-2 | 19.050 | 11.91 | 12.57 | 5.94 | 57.7 | 18.00 | 3.25 | 26.11 | 63.6 | 84.5 | 3.71 |
| 80H-2 | 25.400 | 15.88 | 15.75 | 7.92 | 72.0 | 24.00 | 4.00 | 32.59 | 113.4 | 145.3 | 6.15 |
| 100H-2 | 31.750 | 19.05 | 18.90 | 9.53 | 86.0 | 30.00 | 4.80 | 39.09 | 177.0 | 225.9 | 9.03 |
| 120H-2 | 38.100 | 22.23 | 25.22 | 11.10 | 106.4 | 35.70 | 5.60 | 48.87 | 254.0 | 322.7 | 13.13 |
| 140H-2 | 44.450 | 25.40 | 25.22 | 12.70 | 114.4 | 41.00 | 6.40 | 52.20 | 344.8 | 437.7 | 16.60 |
| 160H-2 | 50.800 | 28.58 | 31.55 | 14.27 | 134.9 | 47.80 | 7.20 | 61.90 | 453.6 | 571.6 | 20.20 |
| 200H-2 | 63.500 | 39.68 | 37.85 | 19.85 | 171.8 | 60.00 | 9.50 | 78.31 | 707.6 | 894.9 | 31.11 |
| 60H-3 | 19.050 | 11.91 | 12.57 | 5.94 | 83.8 | 18.00 | 3.25 | 26.11 | 95.4 | 113.9 | 5.54 |
| 80H-3 | 25.400 | 15.88 | 15.75 | 7.92 | 104.6 | 24.00 | 4.00 | 32.59 | 170.1 | 203.5 | 9.42 |
| 100H-3 | 31.750 | 19.05 | 18.90 | 9.53 | 125.1 | 30.00 | 4.80 | 39.09 | 265.5 | 314.8 | 12.96 |
| 120H-3 | 38.100 | 22.23 | 25.22 | 11.10 | 155.2 | 35.70 | 5.60 | 48.87 | 381.0 | 444.7 | 19.64 |
| 140H-3 | 44.450 | 25.40 | 25.22 | 12.70 | 166.6 | 41.00 | 6.40 | 52.20 | 517.2 | 298.4 | 24.90 |
| 160H-3 | 50.800 | 28.58 | 31.55 | 14.27 | 196.8 | 47.80 | 7.20 | 61.90 | 680.4 | 787.3 | 30.10 |
| 200H-3 | 63.500 | 39.68 | 37.85 | 19.85 | 250.1 | 60.00 | 9.50 | 78.31 | 1061.4 | 1228.2 | 57.06 |

Sprockets - Chain

ANSI B29.1M-1993

Roller Chains With Straight Side Plates

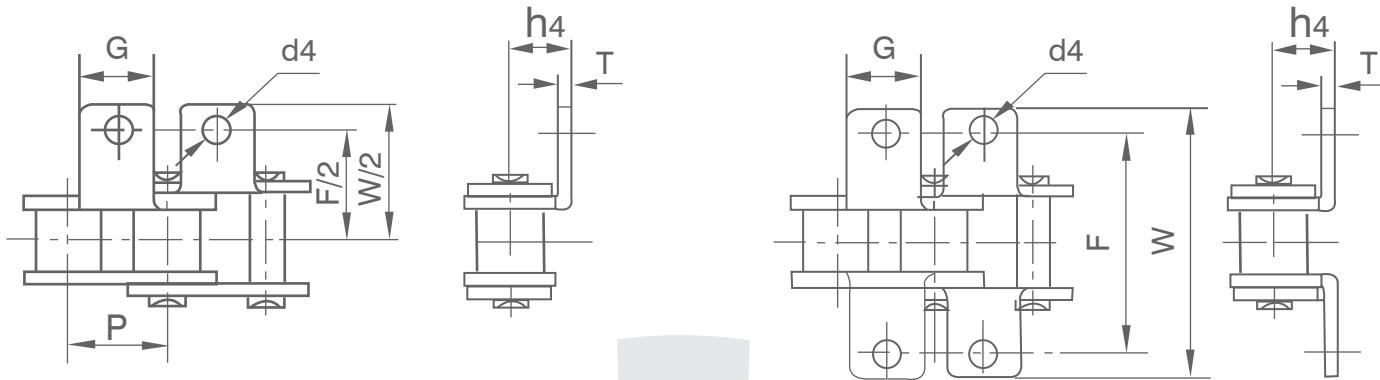


| ANSI Chain No. | Pitch | Roller diameter | Width between inner plates | Pin diameter | Pin length | | Inner plate depth | Plate thickness | Transverse pitch | Ultimate tensile strength | Average tensile strength | Weight per meter |
|----------------|--------|-----------------|----------------------------|--------------|------------|--------|-------------------|-----------------|------------------|---------------------------|--------------------------|------------------|
| | P | d1 max | b1 min | d2 max | L max | Lc max | h2 max | T max | P1 | Q min | Q0 | q |
| | mm | mm | mm | mm | mm | mm | mm | mm | mm | kN | kN | kg/m |
| C40 | 12.700 | 7.95 | 7.85 | 3.96 | 16.6 | 18.8 | 12.00 | 1.50 | | 14.1 | 17.5 | 0.73 |
| C50 | 15.875 | 10.16 | 9.40 | 5.08 | 20.7 | 23.3 | 15.09 | 2.03 | | 22.2 | 29.4 | 1.23 |
| C60 | 19.050 | 11.91 | 12.57 | 5.94 | 25.9 | 28.3 | 18.0/18.2 | 2.42 | | 31.8 | 41.5 | 1.81/1.83 |
| C80 | 25.400 | 15.88 | 15.75 | 7.92 | 32.7 | 36.5 | 24.00 | 3.25 | | 56.7 | 69.4 | 3.09 |
| C100 | 31.750 | 19.05 | 18.90 | 9.53 | 40.4 | 44.7 | 30.00 | 4.00 | | 88.5 | 109.2 | 4.56 |
| C120 | 38.100 | 22.23 | 25.22 | 11.10 | 50.3 | 54.3 | 35.70 | 4.80 | | 127.0 | 156.3 | 6.86 |
| C140 | 44.450 | 25.40 | 25.22 | 12.70 | 54.4 | 59.0 | 41.00 | 5.60 | | 172.4 | 212.0 | 8.49 |
| C160 | 50.800 | 28.58 | 31.55 | 14.27 | 64.8 | 69.6 | 47.80 | 6.40 | | 226.8 | 278.9 | 11.50 |
| C40-2 | 12.700 | 7.95 | 7.85 | 3.96 | 31.0 | 33.2 | 12.00 | 1.50 | 14.38 | 28.2 | 35.9 | 1.43 |
| C50-2 | 15.875 | 10.16 | 9.40 | 5.08 | 38.9 | 41.4 | 15.09 | 2.03 | 18.11 | 44.4 | 58.1 | 2.42 |
| C60-2 | 19.050 | 11.91 | 12.57 | 5.94 | 48.8 | 51.1 | 18.0/18.2 | 2.42 | 22.78 | 63.6 | 82.1 | 3.58/3.62 |
| C80-2 | 25.400 | 15.88 | 15.75 | 7.92 | 62.7 | 65.8 | 24.00 | 3.25 | 29.29 | 113.4 | 141.8 | 6.12 |
| C100-2 | 31.750 | 19.05 | 18.90 | 9.53 | 76.4 | 80.5 | 30.00 | 4.00 | 35.76 | 177.0 | 219.4 | 9.08 |
| C120-2 | 38.100 | 22.23 | 25.22 | 11.10 | 95.8 | 99.7 | 35.70 | 4.80 | 45.44 | 254.0 | 314.9 | 13.60 |
| C140-2 | 44.450 | 25.40 | 25.22 | 12.70 | 103.3 | 107.9 | 41.00 | 5.60 | 48.87 | 344.8 | 427.5 | 16.86 |
| C160-2 | 50.800 | 28.58 | 31.55 | 14.27 | 123.3 | 128.1 | 47.80 | 6.40 | 58.55 | 453.6 | 562.4 | 22.90 |
| C40-3 | 12.700 | 7.95 | 7.85 | 3.96 | 45.4 | 47.6 | 12.00 | 1.50 | 14.38 | 42.3 | 50.0 | 2.14 |
| C50-3 | 15.875 | 10.16 | 9.40 | 5.08 | 57.0 | 59.5 | 15.09 | 2.03 | 18.11 | 66.6 | 77.8 | 3.62 |
| C60-3 | 19.050 | 11.91 | 12.57 | 5.94 | 71.5 | 73.9 | 18.0/18.2 | 2.42 | 22.78 | 95.4 | 111.1 | 5.36/5.41 |
| C80-3 | 25.400 | 15.88 | 15.75 | 7.92 | 91.7 | 95.1 | 24.00 | 3.25 | 29.29 | 170.1 | 198.4 | 9.10 |
| C100-3 | 31.750 | 19.05 | 18.90 | 9.53 | 112.2 | 116.3 | 30.00 | 4.00 | 35.76 | 265.5 | 309.6 | 13.60 |
| C120-3 | 38.100 | 22.23 | 25.22 | 11.10 | 141.4 | 145.2 | 35.70 | 4.80 | 45.44 | 381.0 | 437.2 | 20.43 |
| C140-3 | 44.450 | 25.40 | 25.22 | 12.70 | 152.2 | 156.8 | 41.00 | 5.60 | 48.87 | 517.2 | 593.3 | 25.23 |
| C160-3 | 50.800 | 28.58 | 31.55 | 14.27 | 181.8 | 186.6 | 47.80 | 6.40 | 58.55 | 680.4 | 780.6 | 34.19 |

Sprockets - Chain

ANSI B29.1M-1993

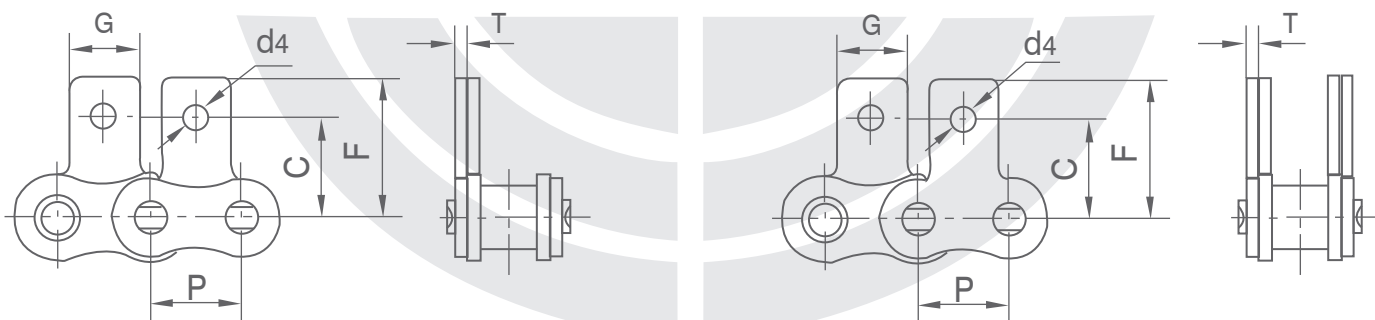
Short Pitch Conveyor Chain Attachments



A-1

K-1

| ANSI Chain No. | P | G | F | W | T | h ₄ | d ₄ |
|----------------|--------|------|-------|-------|------|----------------|----------------|
| | mm | mm | mm | mm | mm | mm | mm |
| 40 | 12.7 | 9.5 | 25.4 | 35.2 | 1.5 | 7.9 | 3.4 |
| 50 | 15.875 | 12.7 | 31.75 | 46.2 | 2.03 | 10.3 | 5.5 |
| 60 | 19.05 | 15.9 | 38.1 | 55.6 | 2.42 | 11.9 | 5.5 |
| 80 | 25.4 | 19.1 | 50.8 | 64.8 | 3.25 | 15.9 | 6.8 |
| 100 | 31.75 | 25.4 | 63.5 | 87.3 | 4.0 | 19.8 | 9.2 |
| 120 | 38.1 | 28.6 | 76.2 | 108.5 | 4.8 | 23.0 | 9.8 |
| 140 | 44.45 | 34.9 | 88.9 | 123 | 5.6 | 28.6 | 11.4 |
| 160 | 50.8 | 38.1 | 101.6 | 142.8 | 6.4 | 31.8 | 13.1 |



SA-1

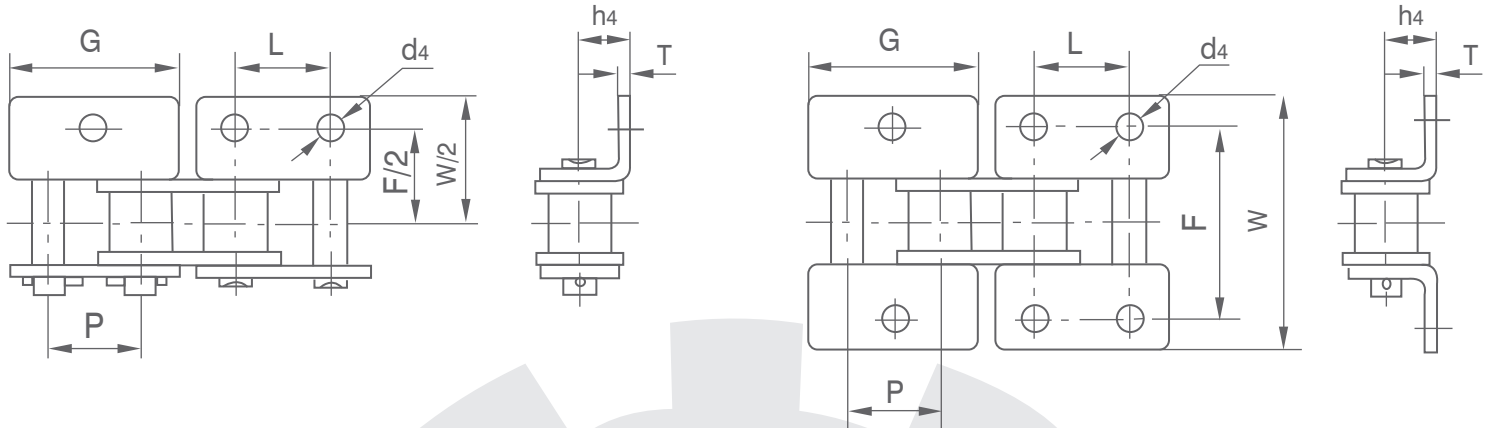
SK-1

| ANSI Chain No. | P | G | C | F | T | d ₄ |
|----------------|--------|------|------|-------|------|----------------|
| | mm | mm | mm | mm | mm | mm |
| 40 | 12.7 | 9.5 | 12.7 | 19.05 | 1.5 | 3.4 |
| 50 | 15.875 | 12.7 | 15.9 | 25.25 | 2.03 | 5.5 |
| 60 | 19.05 | 15.9 | 18.3 | 29.33 | 2.42 | 5.5 |
| 80 | 25.4 | 19.1 | 24.6 | 34.7 | 3.25 | 6.8 |
| 100 | 31.75 | 25.4 | 31.8 | 43.3 | 4.0 | 9.2 |
| 120 | 38.1 | 28.6 | 36.5 | 51.6 | 4.8 | 9.8 |
| 140 | 44.45 | 34.9 | 44.5 | 62.0 | 5.6 | 11.4 |
| 160 | 50.8 | 38.1 | 50.8 | 69.85 | 6.4 | 13.1 |

Sprockets - Chain

ANSI B29.1M-1993

Short Pitch Conveyor Chain Attachments



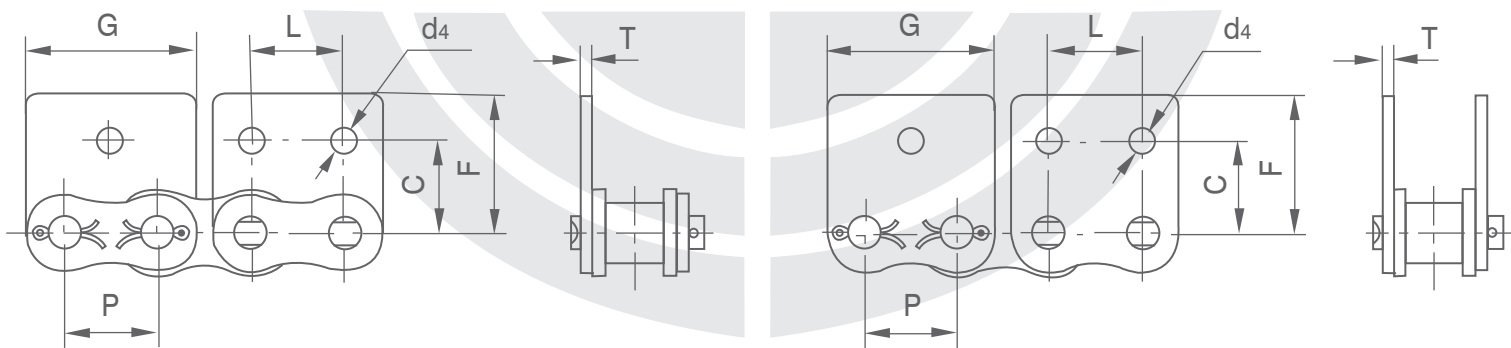
WA-1

WA-2

WK-1

WK-2

| ANSI Chain No. | P | G | L | F | W | T | h ₄ | d ₄ |
|----------------|--------|-------|--------|------|------|------|----------------|----------------|
| | mm | mm | mm | mm | mm | mm | mm | mm |
| 40 | 12.7 | 23.1 | 12.7 | 25.4 | 35.6 | 1.5 | 8.0 | 3.4 |
| 50 | 15.875 | 28.88 | 15.875 | 31.8 | 46.8 | 2.03 | 10.3 | 5.5 |
| 60 | 19.05 | 34.65 | 19.05 | 38.1 | 56.4 | 2.42 | 11.9 | 5.5 |
| 80 | 25.4 | 45.9 | 25.4 | 50.8 | 73.2 | 3.25 | 15.9 | 6.8 |
| 100 | 31.75 | 57.65 | 31.75 | 63.5 | 89.8 | 4.0 | 19.8 | 9.5 |



WSA-1 WSA-2

WSK-1 WSK-2

| ANSI Chain No. | P | G | L | C | F | T | d ₄ |
|----------------|--------|-------|--------|------|-------|------|----------------|
| | mm | mm | mm | mm | mm | mm | mm |
| 40 | 12.7 | 23.1 | 12.7 | 12.7 | 17.4 | 1.5 | 3.4 |
| 50 | 15.875 | 28.88 | 15.875 | 15.9 | 23.05 | 2.03 | 5.5 |
| 60 | 19.05 | 34.65 | 19.05 | 18.3 | 26.86 | 2.42 | 5.5 |
| 80 | 25.4 | 45.9 | 25.4 | 24.6 | 35.45 | 3.25 | 9.2 |
| 100 | 31.75 | 57.65 | 31.75 | 31.8 | 44.0 | 4.0 | 9.8 |